

Invacare® IVC™ 9000 XT Wheelchair

FRAME AND SEAT SELECTIONS

FRAME TYPE

9XT 9000XT \$1,290.66 K0004

FRAME WIDTH AND DEPTH

- WD46 14" x 16" No Charge A9900
- WD48 14" x 18" \$126.38 A9900
- WD56 15" x 16" \$126.38 A9900
- WD58 15" x 18" \$126.38 A9900
- WD66 16" x 16" No Charge
- WD67 16" x 17" \$126.38 A9900
- WD68 16" x 18" \$126.38 A9900
- WD76 17" x 16" \$126.38 A9900
- WD77 17" x 17" \$126.38 A9900
- WD78 17" x 18" \$126.38 A9900
- WD86 18" x 16" No Charge
- WD87 18" x 17" \$126.38 A9900
- WD88 18" x 18" \$126.38 A9900
- WD96 19" x 16" \$152.08 A9900
Not av available with Super Low seat-to-floor.
- WD97 19" x 17" \$272.03 A9900
Not av available with Super Low seat-to-floor.
- WD98 19" x 18" \$272.03 A9900
Not av available with Super Low seat-to-floor.
- WD06 20" x 16" \$152.08 E2201
Not av available with Super Low seat-to-floor.
- WD07 20" x 17" \$272.03 E2201
Not av available with Super Low seat-to-floor.
- WD08 20" x 18" \$272.03 E2201
Not av available with Super Low seat-to-floor.
- WD26 22" x 16" \$152.08 E2201
Not av available with Super Low seat-to-floor.
- WD27 22" x 17" \$272.03 E2201
Not av available with Super Low seat-to-floor.
- WD28 22" x 18" \$272.03 E2201
Not av available with Super Low seat-to-floor.

SEAT-TO-FLOOR HEIGHT

- A Adult (19 1/2" STF) No Charge
Based on 24" wheels and 8" casters. See seat-to-floor matrix.
- H Hemi (17 1/2" STF) No Charge
Based on 24" wheels and 8" casters. See seat-to-floor matrix.
- SH Super Low (14 1/2" STF) \$91.04
- SHE Super Hemi (15 1/2" STF) No Charge
Based on 20" wheels and 6" casters. See seat-to-floor matrix. Requires AT902 (6" casters), U1763BK (20" composite wheels, urethane tires) AHDRM (aluminum handrims) and A1576 (wheel lock extensions). Seat-to-floor height is approximately 15 1/2"

CASTERS

CASTER OPTIONS

- AT902 6" Composite Urethane 3 Spoke No Charge A9900
- 1228 8" x 1 3/4" Semi. Pneu Casters Lt Grey \$59.98
Not av available with Super Low seat-to-floor.
- AT903 8" x 1 1/4" Composite Urethane Standard
Not av available with Super Low seat-to-floor.
- 1299 8" x 1" Solid Rubber Casters No Charge
Not av available with Super Low seat-to-floor.
- 1292 8" x 1 1/4" Pneu Casters \$93.18 A9900
Not av available with Super Low seat-to-floor.
- 1492 8" x 1 1/4" Pneu. with Flat Free Inserts \$111.38 E2217
Not av available with Super Low seat-to-floor.

CASTER JOURNAL OPTION

**Not av available with Adjustable Angle or Adjustable Angle-S Back Type.
Not av available with Super Low seat-to-floor.
Fixed caster journals are standard.**

- ADJC Adjustable Caster Journal \$31.06 A9900
- ADJCPB Adjustable Precision Bearing Caster Journal \$43.91 A9900

ARM AND BACK OPTIONS

ARM TYPE

Arm types are removable, flip-back.

- 18 Full Length Fixed Ht Conv (10") No Charge A9900
- 19 Full Length Adj. Ht. Conv (10" - 14") \$134.95 E0973
- 28 Desk Length Fixed Ht. Conv (10") No Charge A9900
- 29 Desk Length Adj. Ht. Conv (10" - 14") \$134.95 E0973
- 78 Full Length Fixed Ht. SS (10") No Charge
Not av available with adjustable angle back type.
- 79 Full Length Adj. Ht. SS (10" - 14") \$134.95 E0973
Not av available with adjustable angle back type.
- 88 Desk Length Fixed Ht. SS (10") No Charge
Not av available with adjustable angle back type.
- 89 Desk Length Adj. Ht. SS (10" - 14") \$134.95 E0973
Not av available with adjustable angle back type.
- 79JY Full Length Adj. Ht. SS (8" - 10") \$139.23 E0973
Not av available with adjustable angle back type.
- 89JY Desk Length Adj. Ht. SS (8" - 10") \$139.23 E0973
Not av available with adjustable angle back type.

BACK TYPE

- ADJ Adj. Back with 10° Bend No Charge
- S1418 Straight Back w/ Push Handles (15" - 18") ..No Charge K0108
- ANGLE Adj. Angle Back with 10° Bend \$107.10 K0108
Not av available with Super Low seat-to-floor. Standard with rear anti-tippers.
- ANGLE-S Adj. Angle Back with Straight \$107.10
Not av available with Super Low seat-to-floor. Standard with rear anti-tippers.

COLOR OPTIONS

FRAME FINISH

- 08P Deep Purple No Charge
- 17P Cobalt Blue No Charge
- 24P Wet Black No Charge
- 34P Satin (Flat) Black No Charge
- 71P Silver Vein No Charge
- 88P Wet Black with Twilight Sparkle No Charge
- 105P Midnight Blue No Charge

CANDY COLORS

- 61P Electric Red No Charge
- 62P Electric Blue No Charge
- 66P Electric Purple No Charge
- 104P Electric Teal No Charge

UPHOLSTERY COLORS

- U67 Black Vinyl No Charge
Vinyl upholstery must choose WRAP or SOUPH.
- U240 Black Nylon Upholstery Standard
- U245 Black Sail Cloth Adj. Tension Seat \$10.71 A9900
U245 sail cloth adjustable tension seat upholstery av available with U240 black nylon back upholstery only.

NAUGAHYDE

- WRAP Wrap Around Upholstery \$82.47 A9900
- SOUPH Screwed On Back Upholstery \$95.32 A9900
Not av available with Adjustable Angle or Adjustable Angle-S Back Type.

Invacare® IVC™ 9000 XT Wheelchair

WHEELS

WHEEL OPTIONS

- 1763BK 20" Composite Pneu. Tires \$125.31 A9900
- 4763BK 20" Composite Pneu. Flat Free Inserts \$248.47 E2213
- U1763BK 20" Composite Urethane Tires \$121.02 A9900
- 1764BK 22" Composite Pneu. Tires \$125.31 A9900
- 4764BK 22" Composite Pneu Flat Free Inserts \$248.47 E2213
- 5244BK 24" HD Comp. Pneu. with FF Inserts \$319.16 E2213
- Not av ailable with Super Low seat-to-floor.**
- U1764BK 22" Composite Urethane Tires \$121.02 A9900
- 2244BK 24" Composite Pneu. Tires \$149.94 A9900
- Not av ailable with Super Low seat-to-floor.**
- 4244BK 24" Composite Pneu. with FF Inserts \$240.98 E2213
- Not av ailable with Super Low seat-to-floor.**
- U2244BK 24" Composite Urethane Treaded Tires \$128.52 A9900
- Not av ailable with Super Low seat-to-floor.**
- U2222C 24" Composite Urethane Corded Tires Standard
- Not av ailable with Super Low seat-to-floor.**

WHEEL OPTIONS (ONE ARM DRIVE - OAD)

The Cyclical Lev er drive requires treaded rear wheels and is only available on 16", 17", and 18" deep. Hemi seat-to-floor must use space sav er arms. Weight limit is 250 lbs. The above options are not av ailable with amputee attachment or offset axle.

- 9456L LH One Arm Drive with U2222C \$649.03 E0958
- 9456R RH One Arm Drive with U2222C \$649.03 E0958
- LDR96R1 6" Right Hand Cyclical Lever One Arm Drive .. \$853.59 E0958
- Not av ailable with Super Low seat-to-floor.**
- Not av ailable with adjustable caster journal.**
- LDR96L1 6" Left Hand Cyclical Lever One Arm Drive \$853.59 E0958
- Not av ailable with Super Low seat-to-floor.**
- Not av ailable with adjustable caster journal.**
- LDR98R1 8" Right Hand Cyclical Lever One Arm Drive .. \$853.59 E0958
- Not av ailable with Super Low seat-to-floor.**
- Not av ailable with adjustable caster journal.**
- LDR98L1 8" Left Hand Cyclical Lever One Arm Drive \$853.59 E0958
- Not av ailable with Super Low seat-to-floor.**
- Not av ailable with adjustable caster journal.**

HANDRIM OPTIONS

- AHDRM Aluminum Handrims No Charge
- Not av ailable with U2222C rear wheels.**
- COM Composite Handrims Standard
- Not av ailable on 20" and 22" composite rear wheels.**
- 1512 Plstc Coated Aluminum Handrims \$91.04
- 1224-8 8 Alum Oblique Proj. Hdrm, Plstc Coat \$269.89 E0967
- Not av ailable on 20" and 22" composite rear wheels.**
- 1225-8 8 Alum Vert. Proj. Hdrm, Plstc Coat \$269.89 E0967
- Not av ailable on 20" and 22" composite rear wheels.**

REAR AXLE

- OFFAXL Offset Axle \$42.84 K0108
- Not av ailable with Adjustable Angle or Adjustable Angle-S Back Type. Not av ailable with Super Low seat-to-floor.**

WHEEL LOCKS

The above selections are not av ailable with Adjustable Angle or Adjustable Angle-S Back Type.

- 9690B Pull To Lock Whl Locks (Std on Hemi) No Charge
- 9691B Push To Lock Whl Locks (Std On Adult) No Charge
- A1567 Pull To lock Clamp On Whl Locks \$81.40 A9900
- 1721 High Push To Lock Clamp On Whl Locks \$76.04 A9900

POSITIONING STRAP OPTIONS

SEAT POSITIONING STRAPS

- 1515 Push Button Style Seat Positioning Strap \$53.55 A9900 E0978
- 1321BK Hook and Loop Seat Positioning Strap \$42.84 E0978

CHEST POSITIONING STRAPS

- 9515 Push Button Style Chest Positioning Strap \$53.55 E0960

ACCESSORIES AND STOCK OPTIONS

BACK ACCESSORIES

- L8601 Omit Back Upholstery Less \$0.00
- ADJTENS Adjustable Tension Back Upholstery \$119.95
- 1160 Carrying Pocket \$57.83 A9270
- STC Stencil Back Upholstery \$31.06 A9270
- Only av ailable with vinyl upholstery. Block letters are .75" in height.**
- RB Dual Back Liner \$49.00 A9270
- BP02 Back Pack \$53.55 A9270

SEAT ACCESSORIES

- L8651 Omit Seat Upholstery Less \$0.00
- 9120 Solid Seat Insert \$104.96 A9900
- Not av ailable on 22" wide chairs.**
- RS Dual Seat Liner \$52.48 A9270

ARM ACCESSORIES

- NRAS Non-Removable Arm With Screws \$10.71 A9900
- 1300 Utility Tray \$168.15 E0950
- Not av ailable with 24" rear wheel set in Hemi position.**

MISCELLANEOUS ACCESSORIES

- 1305L Crutch and Cane Carrier \$46.05 E2207
- Not av ailable with traditional one arm drive, but is av ailable with CLD one arm drive.**
- 1577QR Quick Release Axles \$92.11 K0108
- Not av ailable with offset axle.**
- Not av ailable with any one arm drive.**
- 2218 IV Rod, Telescopic \$160.65 K0105
- Not av ailable with traditional one arm drive, but is av ailable with CLD one arm drive.**
- 2226 Front Anti - Tippers \$88.89 E0971
- 9357SH Super Low Amputee Attachment \$100.78
- E0959 **Only av ailable on Super Low Seat-to-Floor.**
- 1360SH Super Low Adj Rear Anti - Tipper \$87.82 E0971
- Only av ailable on Super Low Seat-to-Floor.**
- 9357L Amputee Attachment \$100.78 E0959
- Not av ailable with offset axle.**
- Not av ailable with any one arm drive.**

STOCK OPTIONS

- 1497 Oxygen Holder Package Assembly \$161.72 E2208
- Not av ailable with traditional one arm drive, but is av ailable with CLD one arm drive.**
- Not av ailable with offset axle.**
- For 0° and 6° seat angles. See service manual for details.**
- 1496 IV / Oxygen Holder Package Assembly \$169.22 K0108
- Not av ailable with offset axle.**
- Not av ailable with any one arm drive.**
- 1360 Adjustable Rear Anti - Tipper (8" Casters) \$87.82 E0971
- Only av ailable with 8" casters.**
- Standard with Adjustable Angle Back.**
- 1360A Adjustable Rear Anti - Tipper (6" Casters) \$87.82 E0971
- Only av ailable with 6" casters.**
- A1576 Wheel Lock Extensions \$41.77 E0961
- Elastic cord wheel lock extensions. Hemi seat to floor come standard with non-cord wheel lock extensions.**
- 1100 Tool Kit No Charge

Invacare® IVC™ 9000 XT Wheelchair

FRONT RIGGING OPTIONS

FRONT RIGGING

- T93HA Hemi Sw. Footrests Aluminum Footplates with Heel Loops .. \$99.13
- T93HC Hemi Sw. Footrests Composite Footplates with Heel Loops .. \$99.13
- T94HA Hemi Sw. Elev. Legrests Aluminum Footplates \$191.86 ^{K0195} _{E0990}
- T94HC Hemi Sw. Elev. Legrests Composite Footplates .. \$191.86 ^{K0195} _{E0990}
- SH904M Super Low Elev. Legrests 11" - 17" \$266.00 ^{K0195} _{E0990}
- SH904MS Super Low Elev. Legrests 14" Wide \$266.00 ^{K0195} _{E0990}
- SH93E Super Low Ext. Sw. Footrests 11" - 17" \$185.00 ^{A9900}
- SH93ES Super Low Ext. Sw. Footrests 14" Wide \$185.00 ^{A9900}
- AHL4A Hemi Smartleg Art. Legrests 16" and Above \$320.00 ^{K0053}
- AHL4C Hemi Smartleg Art. Legrests 16" and Above \$320.00 ^{K0053}
- AHS4A Hemi Smartleg Art. Legrests 14" - 15" Wide ... \$320.00 ^{K0053}
- T93HS Hemi Sw. Footrests Aluminum Footplates 14" Wide \$95.93 ^{A9900}
- T94HS Hemi Sw. Elev. Legrests Aluminum Footplates 14" Wide \$186.53 ^{K0195}
- T963A 60° Footrests Aluminum Footplate \$95.93 ^{A9900}
- T963C 60° Footrests Composite Footplate \$95.93 ^{A9900}
- T963S 60° Footrests Composite Footplate 14" Wide \$95.93 ^{A9900}

FOOTPLATE OPTIONS

- 1350 Extra Large Aluminum Footplates \$84.21 ^{K0041}
- AT5543 Adjustable Angle Flip - up Footplates \$71.42 ^{K0040}

FOOTREST / LEGREST ACCESSORIES

- 1820 Non - Removable Device \$12.79 ^{A9900}
- 1337 Calf Strap \$38.37 ^{K0038}
- 1346 Heel Loops \$41.57 ^{E0951}
- IMPACTG Impact Guards \$54.36

Seat-to-Floor 6" Casters			
Seat-to-Floor Height	Front Caster Mounting Position	Rear Wheel Size	Rear Wheel Mounting Position
15 1/2"	Top	20"	Top
16 1/2"	Middle	22"	Top
17 1/2"	Bottom	24"	Top
17 1/2"	Bottom	20"	Bottom

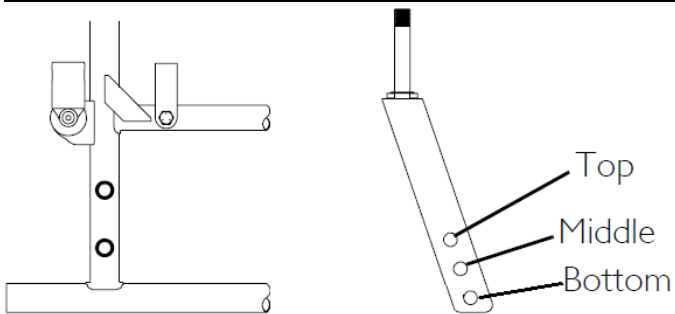
Seat-to-Floor 8" Casters			
Seat-to-Floor Height	Front Caster Mounting Position	Rear Wheel Size	Rear Wheel Mounting Position
17 1/2"	Top	20"	Bottom
17 1/2"	Top	24"	Top
18 1/2"	Middle	22"	Bottom
19 1/2"	Bottom	24"	Bottom

Seat-to-Floor 6" Casters and Offset Axle Bracket					
Seat-to-Floor Height	Front Caster Mounting Position	Rear Wheel Size	Rear Wheel Mounting Position	Axle Plate Mounting on Frame	
				Top Lug	Bottom Lug
15 1/2"	Top Hole	22"	#5 Hole	#4 Hole	#1 Hole
15 1/2"	Top Hole	20"	#3 Hole	#4 Hole	#1 Hole
16 1/2"	Middle Hole	24"	#5 Hole	#4 Hole	#1 Hole
16 1/2"	Middle Hole	22"	#3 Hole	#4 Hole	#1 Hole
16 1/2"	Middle Hole	20"	#2 Hole	#4 Hole	#1 Hole
17 1/2"	Bottom Hole	24"	#3 Hole	#4 Hole	#1 Hole
17 1/2"	Bottom Hole	22"	#2 Hole	#4 Hole	#1 Hole
17 1/2"	Bottom Hole	20"	#3 Hole	#4 Hole	#1 Hole

For a complete list of seat-to-floor heights and angles that are configurable by the dealer refer to the service manual.

Seat-to-Floor 8" Casters and Offset Axle Bracket					
Seat-to-Floor Height	Front Caster Mounting Position	Rear Wheel Size	Rear Wheel Mounting Position	Axle Plate Mounting on Frame	
				Top Lug	Bottom Lug
17 1/2"	Top Hole	20"	#3 Hole	#1 Hole	#4 Hole
17 1/2"	Top Hole	22"	#2 Hole	#4 Hole	#1 Hole
17 1/2"	Top Hole	24"	#3 Hole	#4 Hole	#1 Hole
18 1/2"	Middle Hole	22"	#3 Hole	#1 Hole	#4 Hole
18 1/2"	Middle Hole	24"	#2 Hole	#4 Hole	#1 Hole
19 1/2"	Bottom Hole	20"	#3 Hole	#1 Hole	#4 Hole

For a complete list of seat-to-floor heights and angles that are configurable by the dealer refer to the service manual.



Weight Limitation 250 Pounds
 Invacare recommends all wheelchairs be fitted to the consumer under the guidance of a healthcare professional, knowledgeable of the particular limitations of the product.

