



7550 Fold-up Stationary Wheelchair Scale

Installation and Operation Manual



INTRODUCTION

Thank you for purchasing our DETECTO™ 7550 Fold-up Stationary Wheelchair Scale. It has been manufactured with quality and reliability at our factory in Webb City, MO USA. This scale has been assembled and tested before leaving our factory to insure accuracy and dependability for years to come.

This manual is provided to guide you through the assembly of your scale. Please read it thoroughly before attempting to assemble your scale and keep it handy for future reference.

COPYRIGHT

All rights reserved. Reproduction or use, without expressed written permission, of editorial or pictorial content, in any manner, is prohibited. No patent liability is assumed with respect to the use of the information contained herein.

DISCLAIMER

While every precaution has been taken in the preparation of this manual, the Seller assumes no responsibility for errors or omissions. Neither is any liability assumed for damages resulting from use of the information contained herein. All instructions and diagrams have been checked for accuracy and ease of application; however, success and safety in working with tools depend to a great extent upon the individual accuracy, skill and caution. For this reason the Seller is not able to guarantee the result of any procedure contained herein. Nor can they assume responsibility for any damage to property or injury to persons occasioned from the procedures. Persons engaging the procedures do so entirely at their own risk.

PRECAUTIONS

Before beginning assembly of this scale, read this manual and pay special attention to all "NOTIFICATION" symbols:



IMPORTANT:

SPECIFICATIONS

Capacity:	1,000 lb x 0.2 lb / 450 kg x 0.1 kg
Platform Size (Flat Portion):	32.3 in W x 33 in D / 81.9 cm W x 83.9 cm D
Overall Dimensions	
Width:	50.3 in / 127.6 cm
Depth:	39.3 in / 99.7 cm (with platform extended) 7.3 in / 18.4 cm (without platform extended)
Height:	44.5 in / 113 cm (with indicator) 41.1 in / 104.4 cm (without indicator)
Power:	6 “C” cell Alkaline, Ni-Cad or NiMH batteries (not included) OR an optional 12 VDC 1.25A wall plug-in AC power adapter (Detecto part number MV1PWR)
Display:	5-digit, 7-segment, 7/8 inch (22.23 mm) high LCD weight digits
Keypad:	19 key, color-coded, sealed membrane
Connectivity:	RS232 serial, USB and optional wired and Wi-Fi Ethernet
Weight:	180 lb

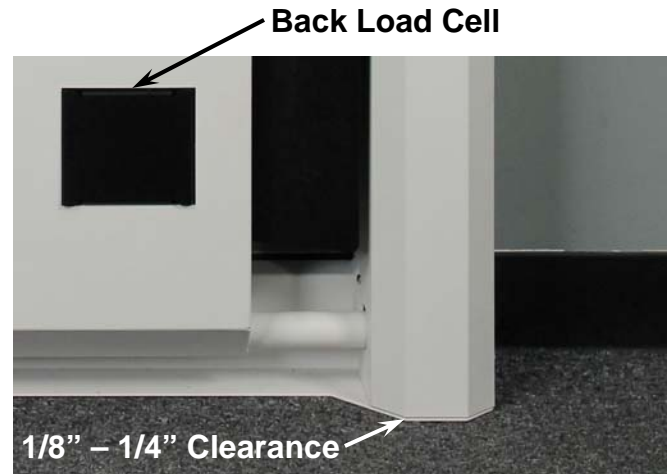
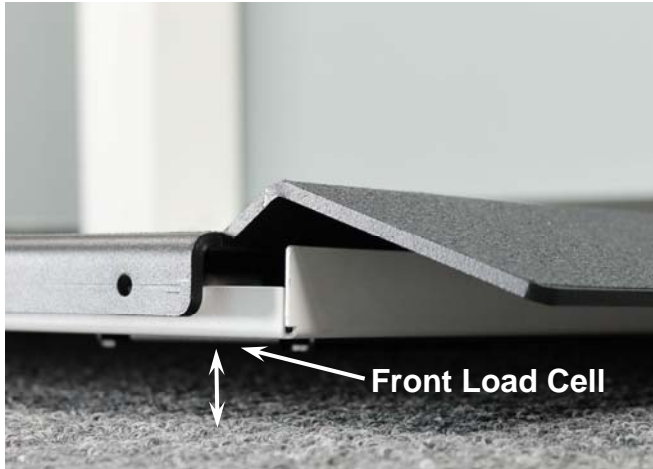
FEATURES

- Slim, 7.3-inch Profile
- 2-Way Easy Access Ramps
- Compact Vertical Fold-Up Platform Conserves Space
- Gas Spring Lifting Mechanism
- Platform Lip to Hold Wheelchairs in Place on Scale
- Optional Wi-Fi Connectivity for EMR/HER
- USA-Made Quality - ISO 9001:2008
- Sturdy Steel Construction for Durability
- RS232 Serial and USB Ports Standard
- 350-Degree Tilt-and-Swivel Rotating Indicator
- Body Mass Index Calculation
- Optional Printer Available to Record Patient Weights

INSTALLATION

Location

The scale should be installed in a location with a flat, level floor. Note that the weighing platform will not sit completely against the floor. This will not affect the accuracy of the scale as the weighing platform will settle to the floor when the patient is placed on the scale.



The front load cells of the weighing platform will be off the floor. The back load cells must be sitting completely on the floor.

There should be 1/8" to 1/4" clearance between the sides of the scale frame and the floor. This clearance is required for the lift mechanism to close completely. The included shims can be used to raise the scale if there are slight imperfections with the floor or wall mount installation that sits the wall mount too low and prevents the scale from closing completely. If the wall mount is too high the back load cells will not touch the floor when the weighing platform is lowered. If the wall mount is too high, the wall mount must be moved lower on the wall or the scale will not function correctly.



NOTE: It may be necessary to remove any base molding/chair rail/wall guard or to remove a section of the base molding/chair rail/wall guard to provide space to mount the scale in a true vertical position. An alternative method would be to shim the wall mount away from the wall to accommodate any base molding/chair rail/wall guard.

This page intentionally left blank.

Step 1 – Unpack the Scale



IMPORTANT: UNPACKING AND INSTALLATION OF THIS PRODUCT SHOULD BE PERFORMED BY TWO PEOPLE. PLEASE READ THROUGH THE INSTRUCTIONS CAREFULLY BEFORE STARTING TO INSTALL THE SCALE.

NOTE: Make certain the scale has been received in good condition. Check for any damage incurred in shipping. If scale has been damaged, place a claim with the carrier. It is the responsibility of the purchaser to file all claims for any damages or loss incurred during transit. Keep the carton and packing material for return shipment if it should become necessary.



1. Cut the shipping straps and remove the shipping carton top to unpack the scale.
2. Remove the boxes containing the Wall Mount and Weight Indicator from the shipping carton.



NOTE: Leave the strap securing the Weighing Platform to the Scale Frame until instructed to remove it in “Step 4 – Install the Scale on the Wall Mount”.

DO NOT lift scale by this strap!

Cut Tape

3. Remove all packing material.
4. Cut the tape securing the flaps on one end of the carton and with an assistant, slide the scale out of the carton.



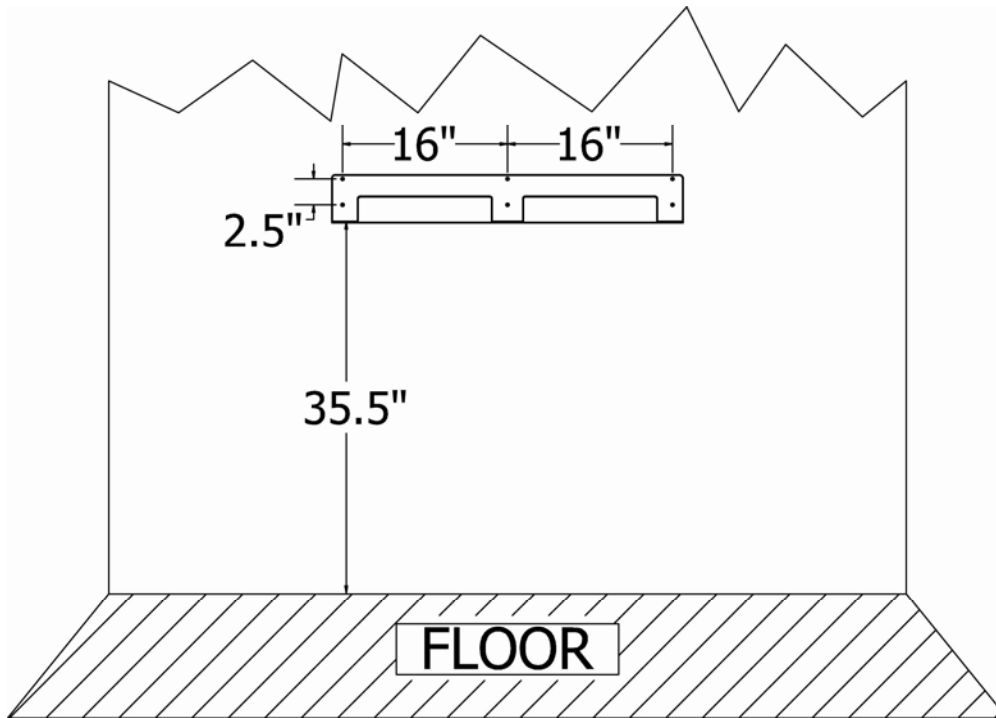
NOTE: When the scale is out of the carton, **DO NOT** lift the scale by the strap securing the weighing platform to the scale frame to raise the scale to the upright position.



Step 2 – Install the Wall Mount



NOTE: Due to the various types of wall construction, no mounting hardware is furnished with the scale. Appropriate mounting hardware suitable to the wall's construction will need to be obtained to secure the wall mount to the wall.



The wall mount allows the scale to be adjusted up or down and left or right to accommodate floors that may not be perfectly flat. This insures the accuracy of the weighing platform and prevents undue stress to the scale.

The wall mount should be secured to the wall using mounting hardware suitable to the wall's construction. The six (6) holes (in groups of two, sixteen (16) inches apart) in the wall mount allow for 1/4" hardware to be used to secure the wall mount to the wall.

1. Determine the desired location where the scale is to be mounted.
2. With an assistant, place the wall mount against the wall. Insure it's level and 35 1/2" from the top edge of the wall mount to the floor.
3. Mark the holes to mount the wall mount.
4. Remove the wall mount and drill the required diameter holes for the mounting hardware used.
5. Fasten the wall mount to the wall.



Step 3 – Routing the Load Cell Cable

1. With the help of an assistant, raise the scale to the upright position.



NOTE: DO NOT lift the scale by the shipping strap to raise to the upright position. Refer to the note and picture in “Step 1 – Unpack the Scale”.

2. On the back of the scale, locate the load cell cable and the large cut-out in the scale frame.



3. Feed the load cell cable through the large cut-out in the back of the scale frame.



4. Continue feeding the load cell cable through the scale frame and up through the notch in the top of the scale frame.



Step 4 – Install the Scale on the Wall Mount

1. Once the Load Cell cable has been routed through the scale frame, remove the strap securing the weighing platform to the scale frame. Refer to the note and picture in Step 1.
2. With an assistant, lift the scale above the wall mount and then lower it into position in the channel of the wall mount.



3. Center the scale side to side in the channel of the wall mount.



Step 5 – Install the Weight Indicator

1. Remove the weight indicator from its box and unpack it. Obtain and install ¹ six “C” batteries in the indicator.
2. Assemble the indicator swivel ball socket mount and then place it over the bolt and washer on the top right of the scale frame.



3. To install the indicator, slightly loosen the adjustment knob to allow the two parts of the socket to open enough to insert the rubber ball and place the rubber ball on the back of the indicator into the swivel ball socket mount. Tighten the adjustment knob slightly to secure the indicator for the next step.
4. Turn the indicator around (display away from you). Locate the 9-pin load cell connector on the back panel of the indicator. Align the long edge of the load cell cable connector with the long edge of the indicator connector. Place the load cell cable connector on the indicator connector and secure using the load cell cable retaining screws.
5. Adjust the indicator to the desired viewing angle and direction and then tighten the adjustment knob.

¹ **NOTE:** For more detailed information on installing the batteries, connecting the load cell cable and mounting the weight indicator on the scale, refer to the MedVue Model MV1 Medical Weight Analyzer Owner’s Manual, 8555-M512-O1.

Step 6 – Scale Operation

1. With the weighing platform in the closed (stored) position, grasp the top edge of the platform and pull it down into the operating position.



2. With the weighing platform in the operating position, press the **ON/OFF** key to turn the indicator on.
3. When the indicator reads Zero, place the empty wheelchair on the weighing platform and TARE the wheelchair weight if desired.
4. Position the patient on the weighing platform by pulling the wheelchair onto the platform. **Do Not** push the wheelchair on or off the weighing platform.

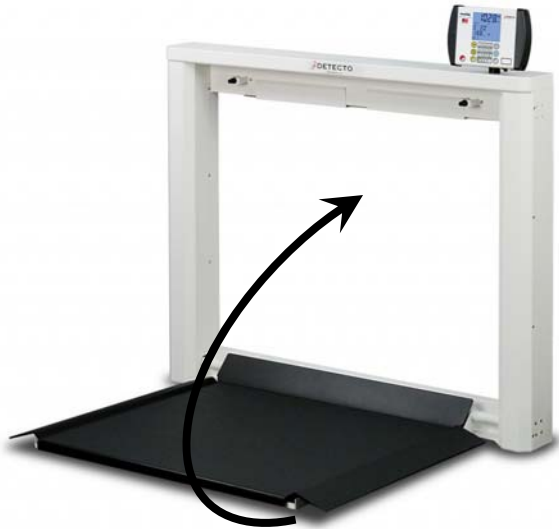


DANGER: Never PUSH the wheelchair onto or off the weighing platform! Always PULL the wheelchair onto and off the platform. Serious injury to the patient could occur!



Step 6 – Scale Operation, Cont.

5. Lock the wheelchair wheels.
6. When the weight reading is steady, record the patient's weight.
7. Remove the patient by pulling the wheelchair off the weighing platform. **Do Not** push the wheelchair off the weighing platform.
8. To return the weighing platform to the closed (stored) position, lift the platform up.

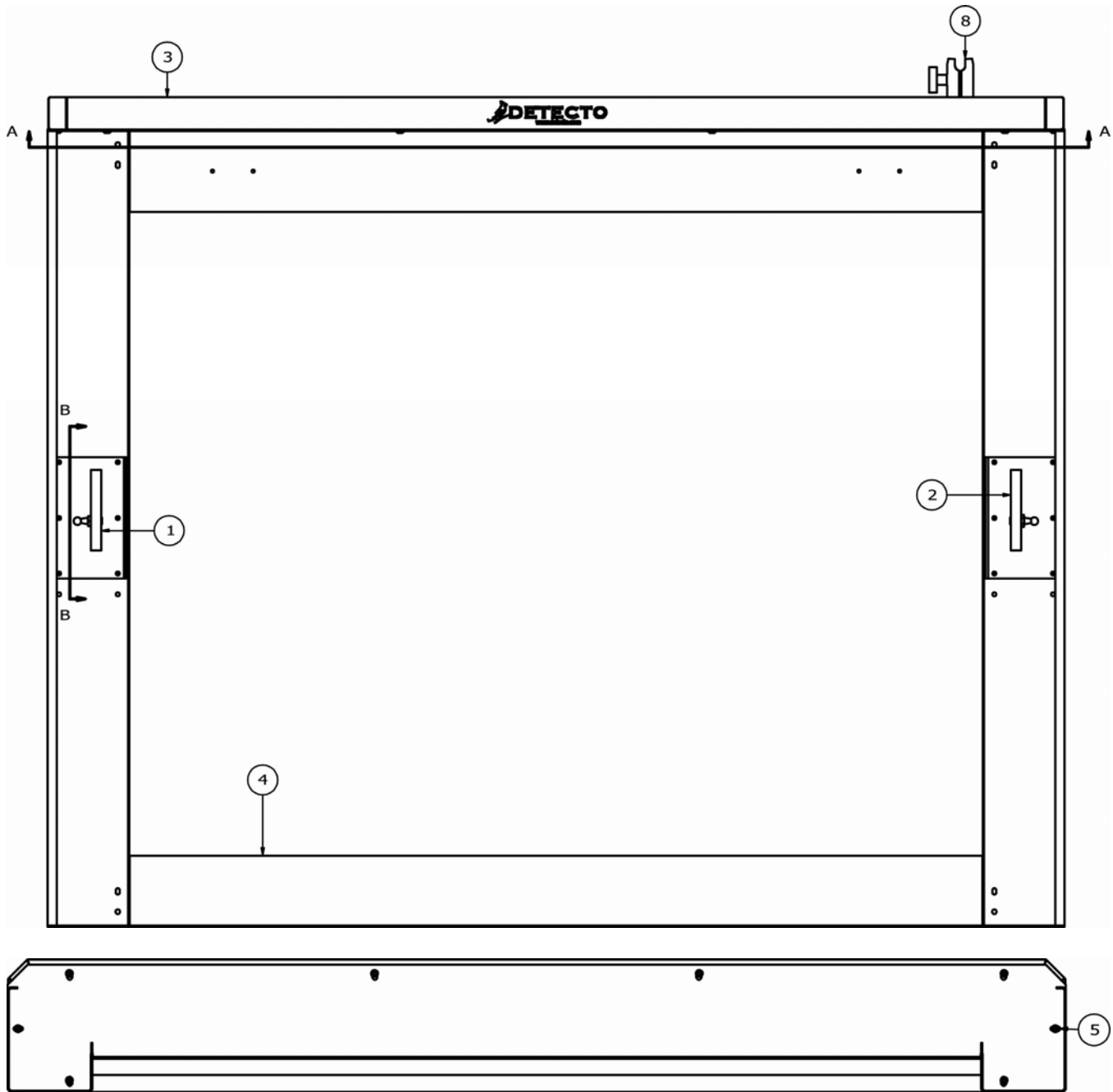


Lift weighing platform up to return to the closed (stored) position.



Platform in closed (stored) position

PARTS IDENTIFICATION FRAME ASSEMBLY

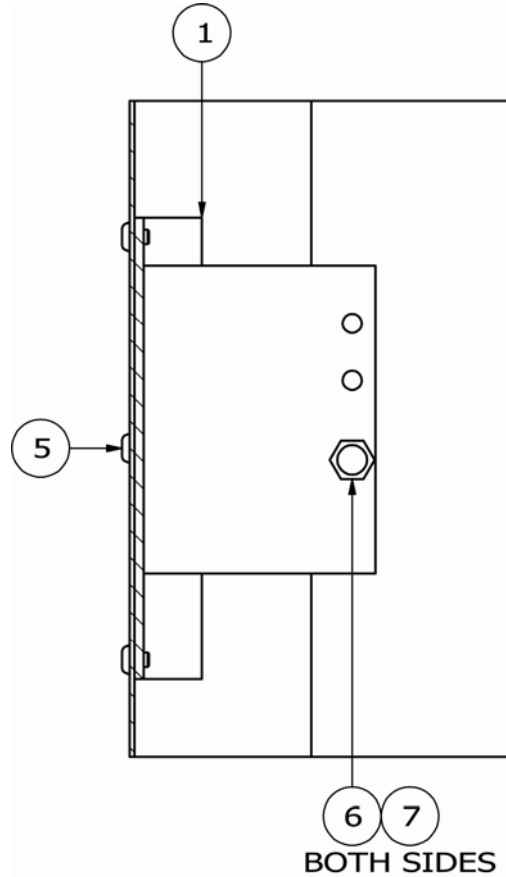


SECTION A-A

ITEM	QTY	PART NUMBER	DESCRIPTION
1	1	0065-C624-0A	CYLINDER MOUNT WELDMENT LEFT
2	1	0065-C624-1A	CYLINDER MOUNT WELDMENT RIGHT
3	1	0065-D620-08	TOP COVER
4	1	0065-D625-0A	FRAME WELDMENT
5	20	6021-2033	SCW BUTTON-HD. CAP-SCREW.. 10-32X.25
8	1	8555-B519-0A	MEDVUE MTG KIT ASSY

PARTS IDENTIFICATION

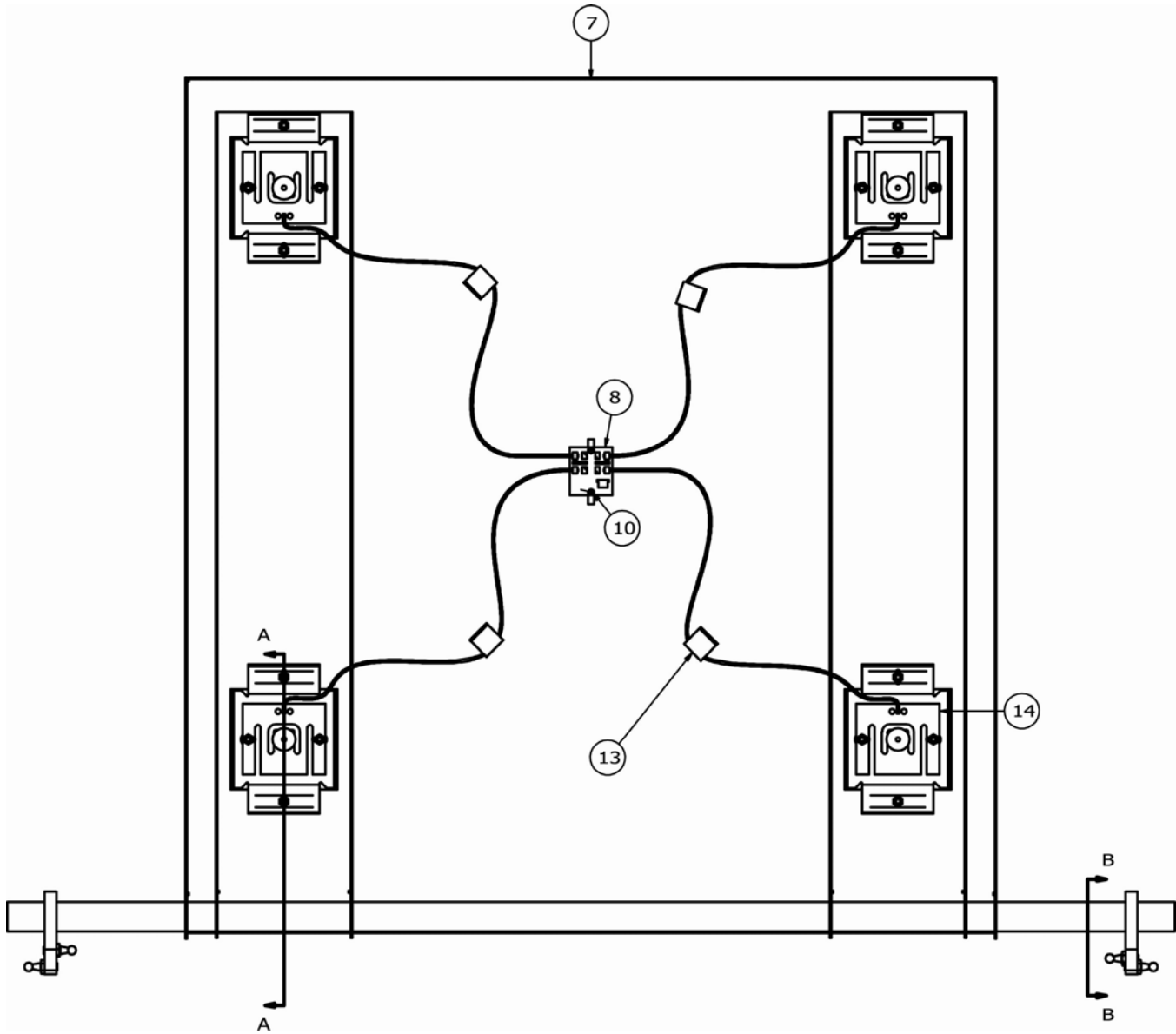
FRAME ASSEMBLY, CONT.



SECTION B-B

ITEM	QTY	PART NUMBER	DESCRIPTION
1	1	0065-C624-0A	CYLINDER MOUNT WELDMENT LEFT
5	20	6021-2033	SCW BUTTON-HD. CAP-SCREW.. 10-32X.25
6	2	6031-0220	BALL STUD, GAS SPRING, 10 MM DIA, 5/16" - 18
7	AR	6560-1125	ADHESIVE LOCTITE 242 THRDLOCKR, REMOVABLE

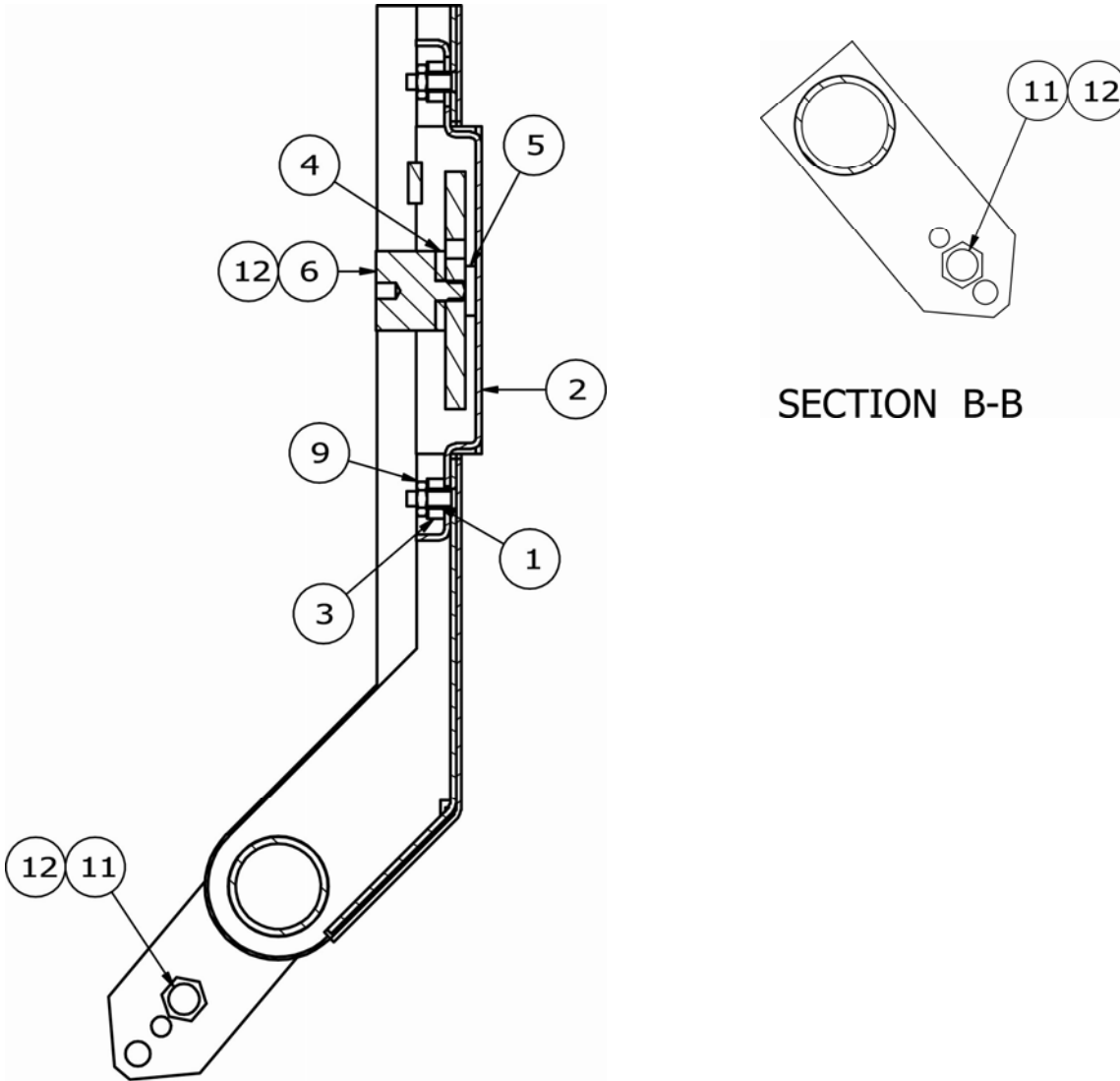
PARTS IDENTIFICATION SUPPORT TRAY ASSEMBLY



ITEM	QTY	PART NUMBER	DESCRIPTION
7	1	0065-D627-0A	SUPPORT FRAME
8	1	3502-B629-0A	PCB 7550 4 CELL TRIM BOARD
10	2	6021-0654	SCW PAN-HEAD. MACHINE-SCW 06-32X 0.25
13	4	6610-5007	CABLE CLIP, 1" X 1" GREY
14	4	FP-250	LOAD CELL, FLAT PLATE, 250 LBS

PARTS IDENTIFICATION

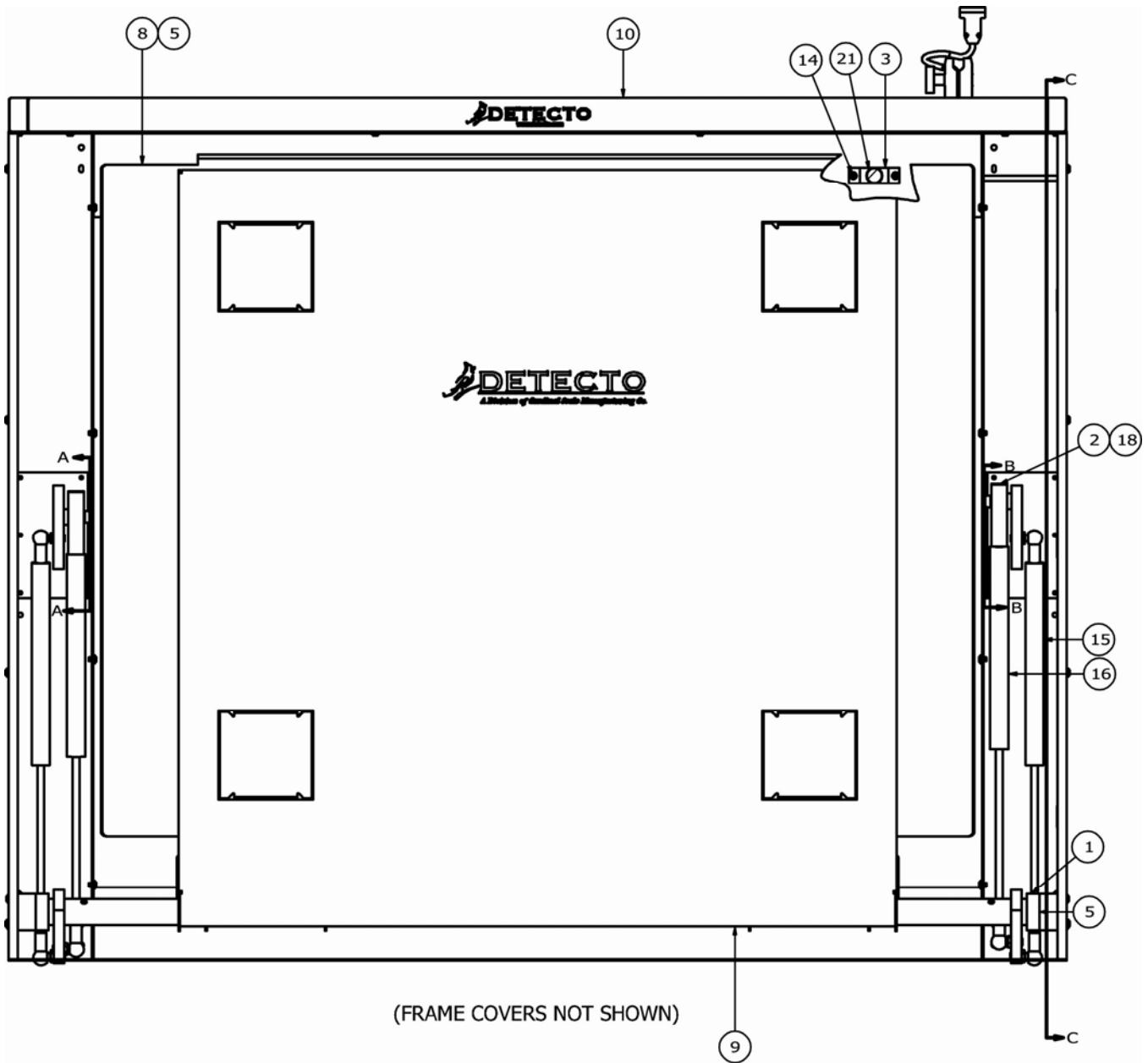
SUPPORT TRAY ASSEMBLY, CONT.



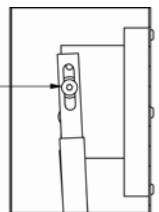
SECTION A-A

ITEM	QTY	PART NUMBER	DESCRIPTION
1	8	0031-B014-08	SPACER
2	4	0065-B632-0A	LOAD CELL FOOT WELDMENT
3	8	0065-B635-08	LOAD CELL MOUNT SPRING
4	4	0065-B636-08	LOAD CELL SPACER
5	8	0065-B637-08	LOAD CELL WASHER
6	4	0065-B642-08	WEIGHBRIDGE MOUNT, 7550
9	16	6013-0295	NUT #10-32 HEX Z/P
11	4	6031-0220	BALL STUD, GAS SPRING, 10 MM DIA, 5/16" - 18
12	AR	6560-1125	ADHESIVE LOCTITE 242 THRDLOCKR, REMOVABLE

PARTS IDENTIFICATION FINAL ASSEMBLY

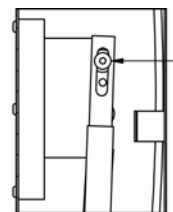


USE MIDDLE HOLE FOR TOP INSIDE CYLINDER MOUNTING ON THIS SIDE.



SECTION A-A

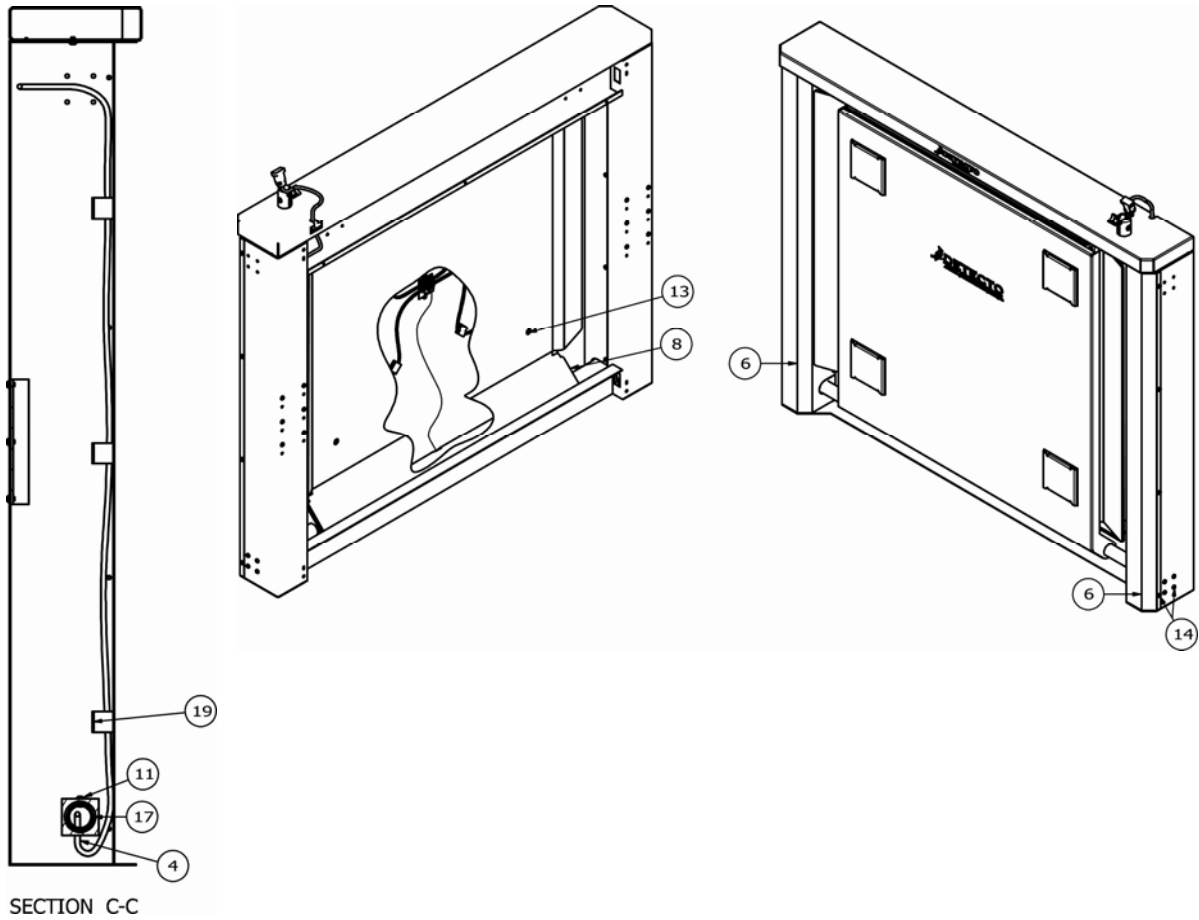
USE TOP HOLE FOR TOP INSIDE CYLINDER MOUNTING ON THIS SIDE.



SECTION B-B

PARTS IDENTIFICATION

FINAL ASSEMBLY, CONT.

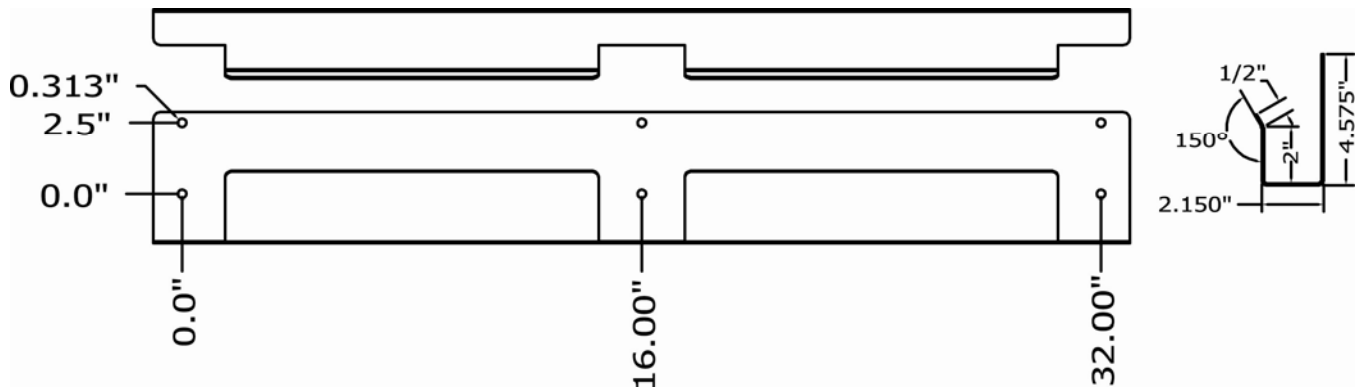


PARTS IDENTIFICATION

FINAL ASSEMBLY, CONT.

ITEM	QTY	PART NUMBER	DESCRIPTION
1	2	0065-B610-08	BUSHING
2	2	0065-B613-08	CYLINDER SLIDE
3	2	0065-B621-08	BUMPER MOUNT
4	1	0065-b638-0A	INDICATOR CABLE 7550
5	2	0065-C609-08	PIVOT BLOCK
6	2	0065-C618-08	FRAME COVER
8	1	0065-D630-08	DECK, 7550
9	1	0065-D639-0A	SUPPORT TRAY ASSEMBLY
10	1	0065-D640-0A	FRAME ASSEMBLY
11	2	6021-1058	SCW TRUSS-HEAD MACHINE-SCW 10-32X.375
12	2	6021-1246	SCW SHOULDER.. SOCKET HEAD 5/16-18X1.0"
13	4	6021-1801	SCW FLAT-HEAD. SOCKET CAP .25-20X.375 BLACK OXIDE
14	28	6021-2033	SCW BUTTON-HD. CAP-SCREW.. 10-32X.25
15	2	6031-0219	CYLINDER, GAS SPRING, 191 LBS, TWO SOCKET 8 INCH STROKE
16	2	6031-0221	CYLINDER, GAS SPRING, 191 LBS, ONE SOCKET 8 INCH STROKE
17	AR	6050-3049	GREASE, FOOD GRADE, MOLYKOTE G-4500 14OZ
18	AR	6560-1125	ADHESIVE LOCTITE 242 THRDLCR, REMOVABLE
19	3	6610-5007	CABLE CLIP, 1" X 1" GREY
20	2	6680-0021	SPACER NYLON 1.000 OD X .450 ID X .219 LONG
21	2	8529-B215-08	SUPPORT, TRAY
30*	1	0065-C641-08	MAT-DECK, 7550

* NOT SHOWN



7550 WALL MOUNT (0065-C623-08) AND HOLE SPACING

STATEMENT OF LIMITED WARRANTY

Detecto Scale warrants its equipment to be free from defects in material and workmanship as follows: Detecto warrants to the original purchaser only that it will repair or replace any part of equipment which is defective in material or workmanship for a period of one **(1) year** from date of shipment. Detecto shall be the sole judge of what constitutes a defect.

During the **first ninety (90) days** Detecto may choose to supply all necessary replacement parts and service during normal week-day working hours at no charge to the buyer.

After the first ninety (90) days Detecto will supply parts and service at the job site provided the owner agrees to pay the Dealer for all travel time, including mileage and test equipment, as well as any expenses incurred over the direct labor of the technician at the job site. This limited warranty honors only labor performed by Detecto authorized dealers.

This warranty does not apply to peripheral equipment not manufactured by Detecto; this equipment will be covered by certain manufacturer's warranty only.

This warranty does not include replacement of expendable or consumable parts. This does not apply to any item which has deteriorated or damaged due to wear, accident, misuse, abuse, improper line voltage, overloading, theft, lightning, fire, water or acts of God, or due to extended storage or exposure while in purchaser's possession. This warranty does not apply to maintenance service. Purchased parts will have a ninety (90) day repair or replacement warranty only.

Detecto may require components be returned to the factory; they must be properly packed and shipping charges prepaid. A return authorization number must be obtained for all returns and marked on the outside of all returned packages. Detecto accepts no responsibility for loss or damage in transit.

Conditions Which Void Limited Warranty

This warranty shall not apply to equipment which:

- A.) Has been tampered with, defaced, mishandled or have had repairs and modifications not authorized by Detecto.
- B.) Has had serial number altered, defaced, or removed.
- C.) Has not been grounded according to Detecto's recommended procedure.

Freight Carrier Damage

Claims for equipment damaged in transit must be referred to the freight carrier in accordance with freight carrier regulations.

This warranty sets forth the extent of our liability for breach of any warranty or deficiency in connection with the sale or use of the product. Detecto will not be liable for consequential damages of any nature, including but not limited to, loss of profit, delays or expenses, whether based on tort or contract. Detecto reserves the right to incorporate improvements in material and design without notice and is not obligated to incorporate improvements in equipment previously manufactured.

The foregoing is in lieu of all other warranties, express or implied including any warranty that extends beyond the description of the product including any warranty of merchantability or fitness for a particular purpose. This warranty covers only those Detecto products installed in the forty-eight (48) contiguous continental United States.



