

CHAMPION™

Quality Healthcare Seating Products

Operating Instructions and Service Manual



ALL "POWER" RECLINERS



1-800-998-5018
www.championchair.com

CONTENTS

<u>ITEM</u>	<u>PAGE</u>
Contents	1
Warranty Confirmation Form	2
Special notes	3
Chair capacity information	4
Power requirements	5
Receiving new chairs	6
New chair inspection	6
To report damage	6
Return authorization	6
Storage	6
Disposal of equipment and accessories	7
Technical description	7
Product Labels	8-9
In-service procedures	10
Operating instructions	11-12
General set up	11
Cautions and warnings	12
Handset	13
Reclining the chair	13
Recline to upright	13
Power Connections	14
Remove cables	14
Install cables	14
Trendelenburg Option	15
Operation of the swing arms (if equipped)	16
Proper use of foot tray	17
Chair options and accessories	18,19
Use of IV pole	19
General maintenance and care of chairs	20-22
General Cleaning Precautions	
General Cleaning - vinyl	21
General Cleaning – plastic table tops	22
General Infection control - vinyl	22
Warranty procedure	23
Service information	24
Parts identification	24
Service Parts Form	25
Medical recliner schematics	26-31
Arm, table, base w/ upholstery (swing arm series only)	26
Back assembly and mechanism	27
Back frame, foot tray, casters	28
Power recliner	29
Parts listing	30,31

CHAMPION

Warranty Confirmation Form

It is very important to Champion that our customers review all the materials in the In-Service package they receive. In particular, we strongly advise that everyone using our products (medical staff, patients, technicians, cleaning crew, etc.) review the *In-Service DVD* (approximately 12 minutes in length).

Please complete the following information, certifying that those individuals using the Champion products understand their proper use, after reviewing the materials and watching the video.

Clinic or Company Name

Street Address

City/State/Zip

Signature/Print Name & Title

Date

AFFIX LABEL HERE

By reviewing the In-Service materials provided, you increase the useful life of the products by helping to prevent their improper use, which may lead to premature damage and wear. You are also helping to validate your warranty, as warranties cover material and workmanship failures, not misuse or abuse. Use these In-Service tools for new employees and as a “refresher” for current employees.



Please fax this document to the Customer Service Department at 574-293-5760, and thank you for your cooperation.

NOTE: Not all chair functions, options and/or accessories are covered in the CD.


WELCOME


Champion Manufacturing, Inc. would like to thank you for selecting our products. We take great care in making certain that our products leave the factory in flawless condition. Our products are properly packaged to arrive in that same condition.


SPECIAL NOTES


 **WARNING/**  **CAUTION** These terms refer to actions that may result in injury to your patient or staff member and/ or damage to your product. Damage caused by improper operation of your chair is not covered by your warranty.

NOTE: This chair is for use in a clinical or hospital setting.

 **WARNING: DO NOT operate this product without reviewing the in-service manual/CD that demonstrates proper operation. This information was: 1) shipped in advance of your chairs to your facility or 2) accompanied your shipment, depending upon the circumstances of your order. If you do not have an in-service manual /cd, call customer service immediately to obtain one: 800-998-5018.**

 **WARNING: The power chair must be plugged into a properly grounded outlet and must not be modified in any way. If the 3 blade plug does not fit your outlet, have one installed that meets your local codes by an electrician. DO NOT use a (3) prong to (2) prong plug adapter. Consult an electrician if you are unsure that the outlets are properly grounded.**

 **WARNING: Caregivers or others operating the product or moving the occupant must be aware of the location of the patient's hands and feet. Caregivers must confirm that the occupant's extremities are safely located before moving the chair from position to position, adjusting the position of the chair or moving the patient from the chair.**

 **CAUTION: Please keep hands, all other body parts and equipment away from moving parts that can cause pinch points. Do not reach to the inside of the chair unless the chair is unplugged from the outlet and the battery, if present, is disconnected to avoid injury if the chair position is changed.**

 **CAUTION: Operating the recliner mechanism when the chair back or footrest is restricted and cannot move up and down freely will damage your mechanism. Be certain that the chair back as well as the push handle and footrest DO NOT make contact with the walls, counters or other furniture or equipment.**

NOTE: The information contained in this document is subject to change without notice.

CHAIR CAPACITY INFORMATION

STANDARD RECLINERS:

54P, 59P, 65P, 67P, 85P, 87P, and 89P series: 300 lbs.

BARIATRIC RECLINERS:

56P, 58P, 66P, 68P, 86P, and 88P series: 500 lbs.


POWER REQUIREMENTS

Electrical Requirements:		AC Power Supply: 120 VAC, 60 Hertz	
Rated Current Input:		Max. 3.7 Amps	
Power Output:		24VDC	
Ambient Temperature:		+41° to +104°F (+5° to +40°C)	
Duty Cycle		10%, Max. 2 min./18min.	
Protection Class	IP Rating	Class II	IP66
Battery Duration (approx times):		Backup battery system to remain plugged in. Approx. 15 recline cycles of the chair from battery.	
Battery Recharge Time:		4 Hours, Storage 10 Hours every 6 months Running battery to low power will cause damage.	

Battery Specifications:

If the battery needs to be replaced part number BA1802-0200-000 must be used. Champion's Customer Service must be contacted at 800-998-5018 to obtain a replacement part. Follow local governing ordinances and recycling plans regarding disposal of battery. DO NOT dispose of the battery packs in household waste.

Battery Type: Lead Acid
 Rated Capacity: 1.2Ah, 24V
 Charging Current: Max 0.3A

 **WARNING: Do NOT open the case of the battery. Doing so may be hazardous. Do NOT use any other battery than listed above.**

RECEIVING NEW CHAIRS



CAUTION: New chair inspection must be done by someone who has watched the in-service DVD and understands the instruction pages. Improper operation of the chair may damage the chair and void your warranty.

New chair inspection

1. Remove all packing material including foam wrap and poly bag. If desired, the bag may be replaced after examination.
2. Examine chair surfaces for damage.
3. Operate all chair functions and options. This may include tables, casters and chair positions. Do this immediately upon receipt of your chairs.



CAUTION: To maintain optimal performance of the battery pack it must be plugged in at all times unless the patient is in transport. If the chair will be stored for an extended period of time, the battery must be charged a minimum of (10) hours per (6) months.

To report damage

1. If the freight carrier is still at your location (it is your right to hold the freight carrier while you thoroughly inspect your delivery), note any damage on the bill of lading. Be sure to keep shipping cartons, pallets and other shipping materials to prove damage to the freight carrier. It is also important to save an undamaged carton and pallet in case the chair must be returned to the factory.
2. Call Champion's customer service immediately to report the damage: 800-998-5018.
3. All claims must be filed by the consignee and reported to Champion Manufacturing, Inc. within 5 days of receipt of the shipment.

Return authorization

1. Champion customer service must authorize all returns. Champion customer service will issue a return authorization number by fax or email. The customer does have the right to refuse any damaged chair from the carrier at the time of delivery.
2. All returns **must** be sent prepaid by the sender with the exception of provable shipping damage.

Storage

1. Cover chair and store in a dry area.
2. DO NOT place objects on top of the chair that may damage the vinyl.

DISPOSAL OF EQUIPMENT AND ACCESSORIES

Follow local governing ordinances and recycling plans regarding disposal of device components. DO NOT dispose of the battery packs in household waste.

TECHNICAL DESCRIPTION

The Champion Power Recliners are to be used by patients and caregivers to assist in patient positioning during treatment. Champion Power Recliners also increase the range of positioning over manual recliners.

The Champion Power Recliner uses a linear actuator to drive the recline mechanism inside the chair. The Champion Power Recliner can be positioned from full upright to full recline with the use of the handset. The trendelenburg function (optional) is not controlled by the power function.

The Champion Power Recliners are capable of operation by the patient or caregivers in an institutional environment. Device standard power options include an AC to DC switching power supply operating from AC power outlet (120VAC/60 Hertz nominal) and a supplemental rechargeable battery (optional).

PRODUCT LABELS

Serial Number:



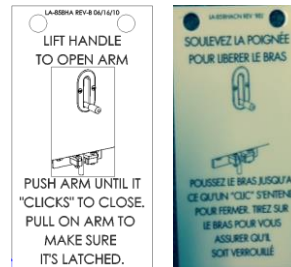
Foam:



Load Capacity (300/500lb)



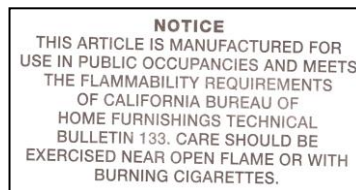
Swing Arm Latch:
(65, 66, 67, 68, 85, 86, 87, 88, & 89 series only)



CATB117 Rating:
(Only where required)



CATB133 Rating:
(Only where required)



NOTE: Labels are not shown to actual size.

PRODUCT LABELS

Cleaning / Trend:



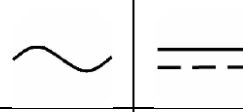
Cleaning

Trend

Protective Earth Ground:



Alternating Current / Direct Current:



Do not Oil or Grease



Keep Dry



Attention:
 Consider Accompanying Documents



NOTE: Labels are not shown to actual size.

IN-SERVICE PROCEDURES

In the belief that an actual demonstration of the product is more effective than written instructions, an in-service CD has been developed. This gives the facility the opportunity to educate every staff member in the correct operation of our products. Before chairs are put into service, all personnel should view the Champion in-service CD (if applicable) and read the operating instructions section of the manual, which is also on this CD

Pay special attention to the hang tag attached to the handle, or chair back. This identifies actions that may damage your product. It is extremely important that chairs are operated properly and used in the manner in which they were designed.

Certain improper methods of operating the chair can damage the chair and void the warranty. In the event that you do not receive your in-service packet, call customer service to obtain one: 800-998-5018. Remember to complete the warranty validation form enclosed with the in-service packet.

An on-site in-service by a Champion representative may be available depending upon the delivery circumstances.


 **WARNING: DO NOT attempt to close the leg rest manually. The full motion of the chair is controlled by the handset. Forcing the chair into a different position will damage the chair.**

 **WARNING: Caregivers or others operating the product or moving the occupant must be aware of the location of the patient's hands and feet. Caregivers must confirm that the occupant's extremities are safely located before moving the chair from position to position, adjusting the position of the chair or moving the patient from the chair.**

 **WARNING: Never place your hands near or on a recliner mechanism when it is in motion. Never clean or maintain a chair when an occupant is in the chair. The occupant is able to control the chair's position and may move the chair position unexpectedly, creating pinch points.**

 **WARNING: Keep hands, feet and legs clear of the recline mechanism.**

 **WARNING: DO NOT use the trendelenburg lever to recline the chair. ALWAYS return the chair to "TV" position after using trendelenburg. Failure to do so may cause the chair to not work as expected.**

 **CAUTION: DO NOT overload chair. Observe the specified maximum weight capacity for the chair model that you have selected.**

OPERATING INSTRUCTIONS

General Set up:

1. Uncoil the power cable from the back side of the power recliner and plug it into a properly grounded outlet. Please see the power requirements in the chair specifications section of this manual.
2. To fully charge the battery for the first time, the chair must be plugged in for 10 hours. The battery is charging whenever the chair is plugged in.
3. **Always** set the caster brakes before allowing your patient to get in or out of the chair. Release the caster brakes **only** when the chair is being relocated; and reset the caster brakes upon arriving at your destination. Never assume that the caster brakes have been set; check to ensure that the caster brakes are engaged before helping anyone in or out of the recliner.
4. Place the chair in the upright position before allowing the patient in or out of the chair. **Do NOT** enter or exit the chair with the leg rest extended. For shorter patients the foot tray may be used as an assist to allow easier entry to the chair. Patients over 225 pounds should not use the foot tray as a step. Please note and follow the capacity limits of the recliner being used.
5. Caster brakes should be locked before using the removable arm top or swing-away arm option.
6. The removable arm top should be replaced and securely latched as soon as a patient transfer has been made.
7. A swing-away arm should be closed and the arm securely latched as soon as the transfer or maintenance operation is complete. An occupant should never be transported with the arm top removed or the swing-away arm opened. Chairs with removable or swing away arms should never be left unattended when an arm is not secured. Check that the arm is latched by pulling outward on the arm.
8. When transporting a patient, pull the foot tray out to the extended position, and be sure that the chair is locked in the upright position. Any recliner not equipped with a foot tray is not considered an appropriate transport chair. Never move recliner while patient is in seat with their feet dangling.

OPERATING INSTRUCTIONS



CAUTION: Please keep hands, all other body parts and equipment away from moving parts that can cause pinch points. Do not reach to the inside of the chair unless the chair is unplugged from the outlet and the battery, if present, is disconnected to avoid injury if the chair position is changed.



CAUTION: The battery is a backup system to be used for power outages and patient transport (if applicable).



CAUTION: Allowing the battery to drop below 30% charge will permanently damage the battery causing it to no longer hold a full charge. This will void your warranty on the battery.



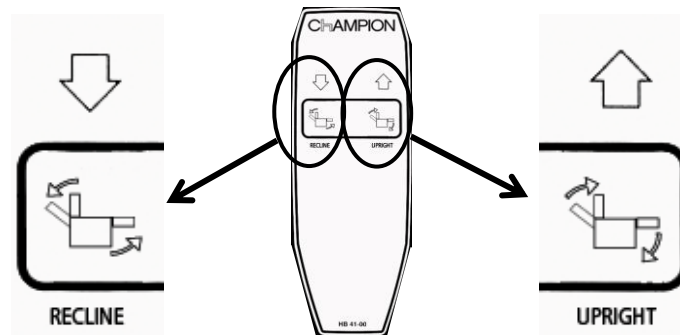
WARNING: DO NOT enter or exit the chair with the leg rest extended.



CAUTION: Caregiver should **NEVER** attempt to raise the front wheels off the floor by pushing on the handle with a patient in the chair. This could damage the chair mechanism.

HANDSET

The positioning of the Champion power recliner is controlled by the handset shown below. The handset allows total patient control of the chair reclining function with the touch of a button. The power recliner can be positioned from full upright to full recline and any position in between to maximize comfort.



⚠ WARNING: NEVER place your hands near or on a recliner mechanism when it is in motion. DO NOT put your hands where you cannot see.

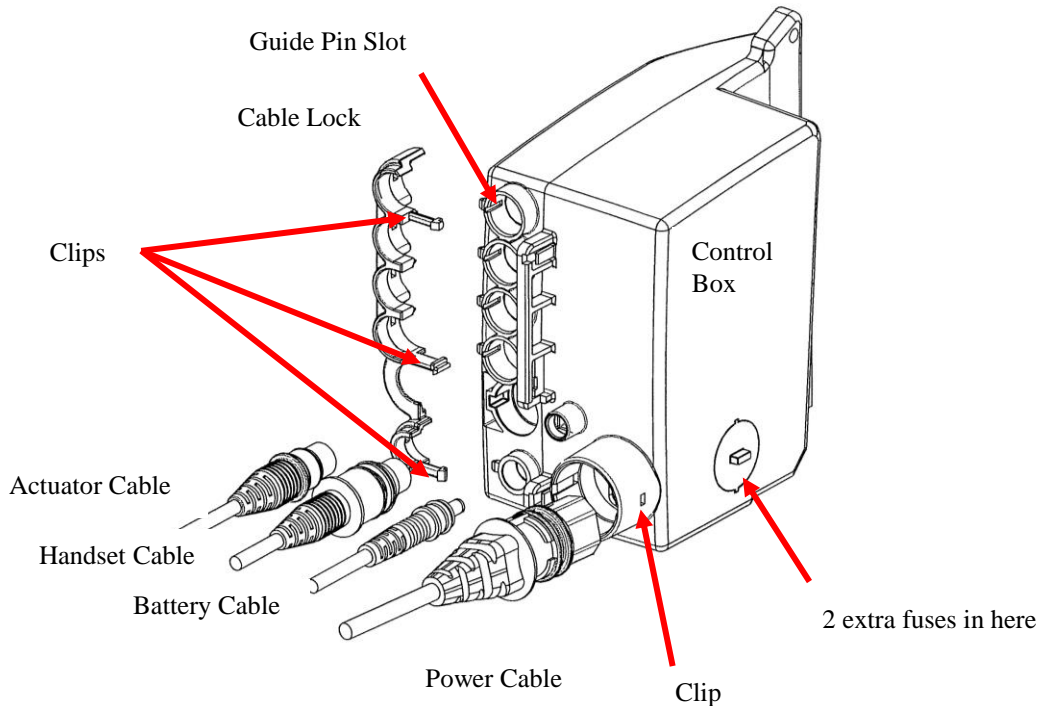
Reclining the Chair:

Pressing and holding the left "recline" button will take the chair from upright to full recline. The down arrow above the button is showing the action of the back of the chair as it goes down into the recline position. The chair can be stopped in any position along its motion. Patient movement will not cause the chair to move as with the standard recliners. Once the chair reaches full recline the movement will stop. Use the "upright" button to return to the full upright position.

Recline to Upright:

Pressing and holding the right "upright" button will take the chair from full recline to upright. The up arrow above the button is showing the action of the back of the chair as it rises back into the upright position. The chair can be stopped in any position along its motion. Patient movement will not cause the chair to move as with the standard recliners. Once the chair reaches full upright the movement will stop. Use the "recline" button if you wish to recline again.

POWER CONNECTIONS



Remove Cables:

1. Remove the cable lock. This may require a small screwdriver to undo the clips on the control box.
2. Pull the desired cable out of the control box. The power cable has a clip that may require a screwdriver to release.

Install Cables:

1. Insert each cable into the port shown above. Some of the connectors have a guide pin for alignment.
2. Install the cable clamp over the cables and make sure all three clips have locked in place. This prevents the cables from being pulled out accidentally.

TRENDELENBURG OPTION

We recommend that health care professionals who will be using this chair become thoroughly acquainted with the recliner and the trendelenburg option prior to its use with a patient.



CAUTION: The remote on your power chair will not operate the recline function if trend is engaged.



CAUTION: The Trendelenburg release must be fully actuated and held for the chair to operate properly.



CAUTION: Once the chair has been placed in full trendelenburg position, it is possible to adjust the trendelenburg position upward ONLY after returning the chair from trendelenburg to "TV" position, and back through full recline; STOPPING THE CHAIR AT THE DESIRED POSITION WHILE ON THE WAY DOWN.

To actuate the trendelenburg option:

1. Follow the operating instructions to place the chair in a full recline position.
2. Locate the trendelenburg actuator release lever on the chair back.
3. Grasp the push handle, "**pull and hold**" the trendelenburg release lever. Lower the chair and occupant to the trendelenburg position. Release the actuator to lock the chair back in position. Should you choose to place the chair in a position short of full trendelenburg, stop the chair back at the desired position and release the actuator while in motion.
4. Once the chair back has started to lower a safety limit switch will be activated and the motor of the chair will **NOT** function. This is a safety feature to prevent damage to the chair.


To return from trendelenburg option:

1. "**Pull and hold**" the trendelenburg actuator release lever as you lift the chair back to the "TV position". Release the actuator to lock the back in position.
2. With the back all the way out of trendelenburg the safety limit switch will be released and motor function will resume as described above.
3. The chair may now be moved into any of the standard chair positions according to the operating instructions.

NOTE: If the remote does not function after bringing the chair out of trendelenburg redo the process for returning from trendelenburg to make sure the back is all the way up.

OPERATION OF THE SWING ARMS (IF EQUIPPED)

 **WARNING:** Your recliner has moving parts that create pinch points. When the swing arms are open, those points are fully exposed. Patients should NEVER be left in a chair with the arms in the opened position. **THE CHAIR SHOULD NOT BE LEFT UNATTENDED, WITH THE ARMS UNLATCHED.**

 **CAUTION:** Be aware of the path the arm is taking. Swinging the arm into objects may result in vinyl damage. It is recommended that opening the arm be done with the chair in the fully upright position or the fully reclined position. If the arm on your chair is equipped with a fold-down table, relocate the items on the table top and fold the table top down.

Swing arms hinge at the back and may be opened a full 180 degrees. To do this, standing at the side of the chair, grasp the release handle and lift to release, and swing the arm open.

Once a patient transfer or maintenance is complete, the arm should be returned to the locked position. To do this, swing the arm back toward the front of the chair until you hear the “click” of the release handle being secured by the latch; **pull outward on the arm to ensure the arm is securely latched.** It may be necessary to lift slightly to move the arm into position for the handle to latch.

NOTE: The swing arms may be opened in the upright position to allow access to the thumb-knobs that secure the quick release seat to the mechanism. The balance of the operation of removing the quick release seat is as noted below.

Removing Seat:

1. With the chair empty, place the chair into the full recline position.
2. Locate and remove the two (2) yellow thumb knobs under the left and right edge of the seat.

 **WARNING:** Before moving the chair, make sure to keep clear of all moving parts. Pinch points can be created while the chair is in motion.

3. Once clear from all moving parts, return the chair to the full upright position. Grab the lower front edge of the seat and lift the front of the seat.
4. Slide the seat toward the front of the chair and lift the seat out of the chair.

Installing Seat:

1. With the chair in the full upright position, place the rear of the seat on top of the recline mechanism. With the clips on the bottom of the seat hooked onto the flange of the mechanism, slide the seat into the chair.
2. Lift up on the front of the seat and slide it back until the bolts drop into the holes on the mechanism. Move the chair into the full recline position and thread on the yellow thumb knobs to secure the seat in place. Return the chair to full upright position before having a patient enter the chair.

PROPER USE OF FOOT TRAY

The foot tray is a feature available on many Champion recliner models. The foot tray is useful as an assist for patients getting into or out of the recliner, re-positioning in the recliner, and as a foot support while sitting fully upright or being transported in the recliner.

 **WARNING: Never move chair while patient is in the seat in the upright position with their feet dangling.**

The foot tray pulls out from under the recliner foot rest. Before use make sure chair casters are locked and ensure that the foot tray is in the fully-extended position. To fully extend the foot tray pull it out from the front of the recliner until you feel the front edge of the foot tray drop slightly. In this position, the foot tray cannot be pushed back under the chair to the "stow" position unless you first lift on the front edge of the tray.

To stow the foot tray, lift up on the front edge of the tray and slide it back under the recliner as far as it will go.

Staff should always advise patients that the foot tray has been extended. Staff should never allow a patient to stand on the foot tray unattended. Patients over 225 lbs. should not use the foot tray as a step.

 **WARNING: Any recliner not equipped with a foot tray is not considered an appropriate transport chair.**

Foot tray is also available in yellow and can come with a warning label and clear tread.

CHAIR OPTIONS AND ACCESSORIES

Options are chair features that must be installed at the factory when the chairs are produced.

Trendelenburg Option

The trendelenburg feature creates multiple positions from full recline through flat to full trendelenburg. Refer to the in-service DVD for operating instructions and appropriate section of this manual.

Accessories are features that may be ordered for your Champion chairs at any time. Some installation may be required. Accessories can be installed in the factory or in the field by the facility.

Dual Remote Controls

Caregivers will have added control with the addition of a 2nd remote. In the event that a caregiver would have to reposition a patient without being able to utilize the patient control they would have the 2nd remote to place them in the full recline position to use trendelenburg or sit them up to the full upright position.

Fold-Away Side Tables

The fold-away side tables are mounted on the arms of the chair and can be ordered with cup holders.

Operate by:

1. Raising table and securing both support brackets.
2. Release brackets to return to stored position.



WARNING: DO NOT use table as a seat.



CAUTION: Remove items and fold tables down prior to moving the chair.

Cushion Wedge

This removable support provides additional surface for arm support as well as closing the gap between inside of chair arms for smaller patients.

Head Pillow/Lumbar Support

This removable cushion can be used for head or lumbar support. The pillow attaches around back of chair with hook and loop fastener strap to allow placement of pillow at various positions to best suit the patient.

IV Pole

Stainless construction, 1" diameter IV pole features two or four rams horn hooks, adjustable with infinite positions; extended effective length 64".

IV Pole Bracket

This bracket is used to mount IV pole on backside of either or both arms and accommodates a 1" diameter pole.

IV Pole Base

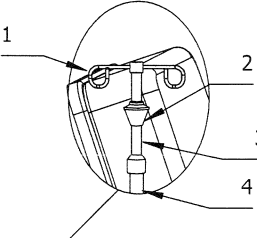
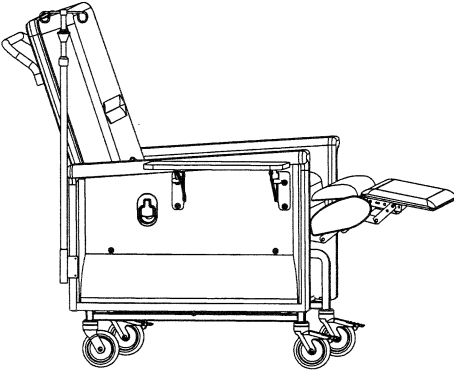
The IV pole base accepts transfer of IV pole from chair bracket to IV pole base allowing patient to be mobile and free of the chair.

TV Bracket

Right-hand mounting bracket for use with your selected monitor/television system.

NOTE: Not all chair functions, options and/or accessories are covered in the DVD.

USE OF IV POLE	1 HOOK
THIS INSTRUCTION SHOWS HOW TO USE THE IV POLE INFINITE POSITION FEATURE. HOW TO USE WITH BASE UNIT.	2 RELEASE BUTTON
	3 TOP SECTION OF TUBE
	4 BOTTOM SECTION OF TUBE
	5 IV POLE BASE UNIT

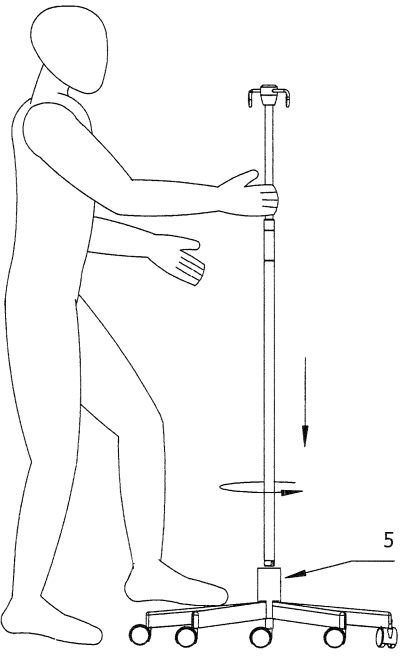



TO RAISE: LIFT TOP SECTION TO DESIRED HEIGHT

TO LOWER:
GRASP TOP SECTION OF TUBE AS YOU
PUSH UP SLIGHTLY ON RELEASE.
LOWER TOP SECTION OF TUBE.
LOWER TO DESIRED HEIGHT.

TO INSERT:
PLACE IV POLE OVER CENTER,
PUSH INTO POSITION IN OPENING
AND TURN TO LOCK

TO REMOVE:
HOLD BASE IN POSITION WITH FOOT
TWIST TO UNLOCK
LIFT IV POLE TO REMOVE



Note: Some components may have a different appearance as shown in the picture due to multiple models of chairs. The serial number of the chair informs Customer Service of the proper components for that chair.

GENERAL MAINTENANCE AND CARE OF CHAIRS

 **WARNING: Never clean or maintain your chair with an occupant in the chair.**

 **CAUTION: Never lubricate the trendelenburg mechanism; doing so may cause the trendelenburg mechanism to fail. Note: this mechanism is particularly prone to damage due to power washing.**

It is not necessary or recommended that moving parts of the chairs be lubricated. Keeping the chair clean is the main maintenance requirement. Each facility should check their chairs and set their own maintenance schedule.

 **CAUTION: This adjustment requires tightening or loosening fasteners that effect the chair operation. If these components are tightened too much, the chair will be difficult to operate. If they are loosened too much, the chair may "drift" from one position to the next.**

It is recommended that the underside of the chairs be checked periodically for waste materials that have fallen under the chair. For this purpose, use the quick-release seat feature for removal of the waste. It is also recommended that the thumb screws on the quick-release seat be periodically checked to make sure they are tight.


Check that the hinge fasteners, latch mount and release mount fasteners are secure on the swing arm chairs. The top of each latch mount has plastic buttons that are designed wear points. Check the buttons and replace when worn to prevent damage to vinyl covers. These checks should be done monthly, and then tailor to your findings. (See included schematics and parts listing to identify these components).

If a part becomes worn or broken, see the sections regarding service and warranty for information.

GENERAL CLEANING PRECAUTIONS

 **WARNING:** When solvent type cleaners are being used, care should be exercised. **KEEP AWAY** from fire or flame and use in a well ventilated area.

 **CAUTION:** High pressure wash or “hosing down” chairs is not recommended.

 **CAUTION:** Use of vinyl “conditioners” or “protectants” is not recommended. Vinyl “conditioner” or “protectants” can cause plasticizers to migrate out of the vinyl causing it to become embrittled. This will prematurely age your vinyl and is not covered under warranty.

Some institutional cleaners or disinfectants may cause discoloration of the vinyl. Use of cleaners, other than those recommended by the vinyl manufacturer, is at the clinics own risk. **Follow the vinyl manufacturer’s cleaning recommendations.** Certain medications may produce a metabolite in the patient’s perspiration which can stain or discolor fabric. If you have any questions, please call Champion’s Customer Service Department at 800-998-5018 with the serial number from your chair. The serial number can be found on the frame base, on the back, to the left hand side.

GENERAL CLEANING – VINYL

IMPORTANT: For specific cleaning instructions, please see manufacturer’s cleaning instructions included in the Vinyl Cleaning Instructions also on this in-service disk.

Champion chairs are constructed of various vinyls; depending upon the customer’s preference. Each vinyl manufacturer has a cleaning process that they endorse for their product. Each manufacturer produces their product with a protective finish to help keep staining agents from penetrating the vinyl and becoming a permanent stain. **It is always important to remove a spill as soon as possible after it happens, as this reduces the possibility that the stain will penetrate the protective coating and migrate into the vinyl, becoming a permanent stain.**

All manufacturers recommend a process of several different steps for cleaning their vinyl. It is especially important to use all steps, in order, when working on a complex spill (one that has several different potential staining agents).

BEGIN by cleaning with a non-abrasive, all purpose household cleaner using a soft cloth or damp sponge. Rinse with clean water.

Follow with solvent type cleaner using a soft bristle brush or soft cloth. Use at full strength. Follow with a clean water rinse and pat dry.

 **CAUTION:** Limit use of strong active solvent cleaners per manufacturer’s instructions; unlimited use may remove the protective finish on the material

NEXT use strong active solvent cleaners. This may be used with a soft cloth, **again limit use per manufacturer’s instruction; unlimited use may remove the protective finish.** This cleaner should be followed with a clean water rinse and pat dry.

GENERAL CLEANING – PLASTIC TABLE TOPS



CAUTION: Do not use strong solvents such as Picrin®. They will damage your table top. Champion does not recommend the product Goof-Off®

It is always easier to clean the table immediately after a spill. When the residue from a spill has dried on the table, a soft bristle brush may be used to help bring it back into solution. Rinse the surface with clean water. For residue that is not readily soluble in bleach and water, try hot water and dish washing liquid. Rinse and use absorbent material to remove as much liquid as possible. You may also try rubbing alcohol, applying a small amount of alcohol with a cloth, rubbing the dried on residue. It may take several applications to dissolve the residue. On any remaining material, you may try nail polish remover (acetone and water) with a soft cloth.

GENERAL INFECTION CONTROL – VINYL

Note: Infection control standards are the responsibility of the facility. Bleach solution recommendations from a vinyl manufacturer are not intended to supersede the facility's infection control standards. Information from the vinyl manufacturer is meant to establish an upper limit beyond which damage might occur.



WARNING: NEVER mix ammonia, or a cleaner with ammonia, with bleach as dangerous compounds may result.



CAUTION: Do not use an iodine based solution since vinyl is an iodophil material and will stain under this condition. If a solution other than a bleach solution is used and you are uncertain if it is iodine based, please test on a hidden portion (bottom back flap) of the vinyl.

All vinyl manufacturers recommend use of bleach and water as a disinfectant. For standards specific to your particular vinyl, consult your vinyl cleaning instructions located in a separate file on this disk. For your disinfection standard consult your facility's standard. For maximum allowable bleach concentration consult information specific to the vinyl your chair is upholstered with per the manufacturer's cleaning instructions.

If you are using disinfection agents other than bleach and water; do not hesitate to call Champion's Customer Service for assistance in determining whether there may be any concerns about that agent and the vinyl that you have chosen.

For any upholstery that is not Champion approved, the facility is responsible for obtaining cleaning instructions on that specific covering. This would include all COM (Customers Own Material) or Custom vinyls.

If you do not know what vinyl your recliner is upholstered in, call Champion's Customer Service 800-998-5018 with the serial number of your chair to obtain assistance.

WARRANTY PROCEDURE

File a Warranty Claim

Calling customer service may institute a warranty claim. At that time you will be asked to provide:

- your name and facility name
- your phone, fax number, email address
- **the serial number of your product**, and
- the nature of your problem

Having the above information available at the time that you call will speed the process. In order to provide prompt accurate service it may be necessary to request further information about the chair function to accurately define the problem.

Warranty Coverage

Your coverage is per the Champion warranty. A copy of the current warranty was provided with this manual for your convenience. Please read this document.

Warranty Does Not Apply If:

- Repairs have been made that were not authorized or under the direction of Champion Manufacturing, Inc.'s service department.
- Required repairs are due to normal wear and tear.
- Product has been abused, improperly used or maintained.
- Alterations have been made to the chair.
- Improper cleaning agents have been used.
- Repairs have been made with parts other than Genuine Champion repair parts.

Whether your claim is covered under warranty may not always be determined at the time of your call. Where the possibility of improper use exists, a determination will be made upon receipt of damaged components or product. In these cases components or product will be shipped with the express understanding that if damage is not covered by warranty **all costs are the responsibility of your facility.**

Note: Shipping charges are not covered under warranty with the exception of provable shipping damage.

SERVICE INFORMATION

The mission of the Service Department is to get your chair up and running as quickly as possible. It is critical that the Service Department know what product you have, and exactly what is wrong with the product. If you have questions or problems, you should never hesitate to call for assistance: 800-998-5018.

The most timely and cost effective way for your chair to be repaired is for the Service Department to work with your maintenance department or equipment technician.

Determining the Problem

What is wrong with the chair should be determined by troubleshooting. The Service Department will assist you with this by asking you questions about the chair function.

Serial Number

The chair serial number identifies the precise configuration of your chair; this is critical to receiving correct components and instructions. **This number is required to process your request.**

The serial number is located in the back of the chair on the lower left side on the label entitled Champion Manufacturing -Serial #xxxxxx.

PARTS IDENTIFICATION

To identify worn or damaged components please refer to appropriate product schematics.

To obtain repair part numbers refer to the parts listing key using the schematics page and item number.

Parts orders may be placed by using the convenient fax order form in this manual or by calling Customer Service 800-998-5018.

When placing an order by phone you will be asked to provide:

- your name and facility name
- your phone, fax number, email address
- the serial number of your product, and
- the nature of your problem

Having the above information available at the time you call will expedite the process. In order to provide prompt, accurate service it may be necessary to request further information about the chair function to accurately define the problem.

SERVICE PARTS FORM

Please duplicate form for use

Ship to:

Facility: _____
Address: _____
City: _____ State _____ Zip _____
Telephone: (____) ____ / _____ Fax : (____) ____ / _____

Shipping instructions:

Ground: _____
3rd day: _____
2nd day: _____
Next day: _____

Reminder: if no shipping choice is made, the least expensive way will be used.

Bill to:

Facility: _____
Address: _____
City: _____ State _____ Zip _____

Order placed by:

Name: _____
Phone: (____) ____ / _____ Ext.: _____
Email: _____

Purchase order #: _____

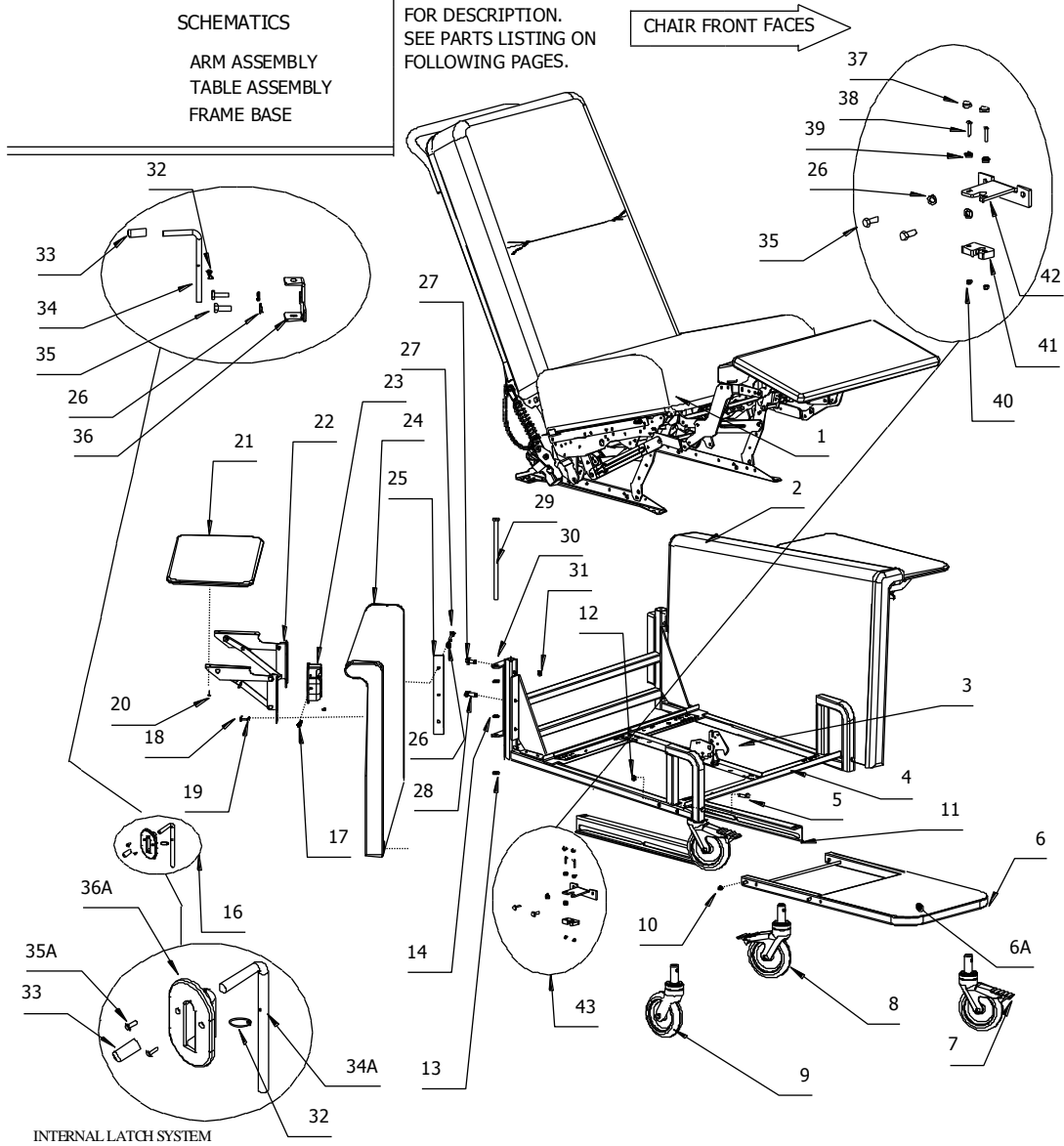
**No order will be processed
without a P.O. & SN number.**

Model number: _____ Serial number: _____

Part number	Page no. / part no.	Quantity

Champion Manufacturing, Inc.

MEDICAL RECLINER-TRANSPORTER



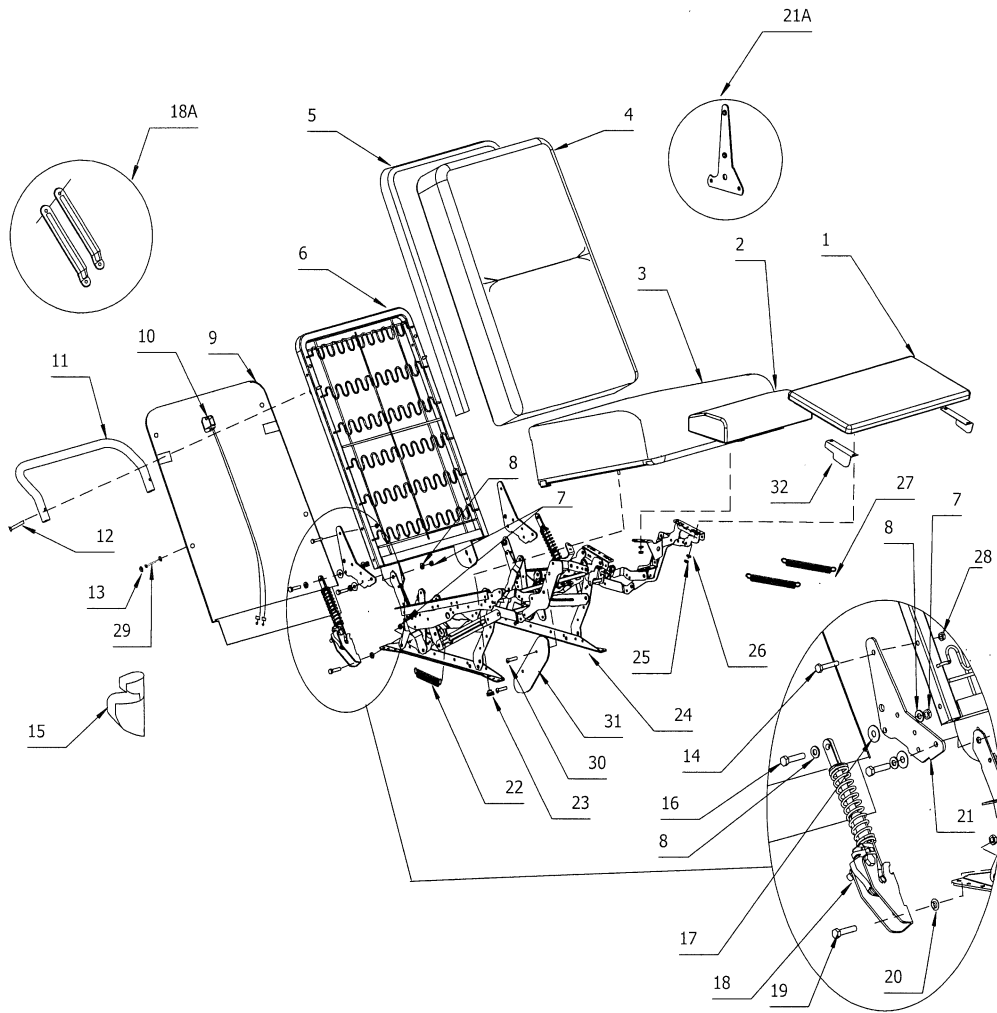
Note: Some components may have a different appearance as shown in the picture due to multiple models of chairs. The serial number of the chair informs Customer Service of the proper components for that chair.

MEDICAL RECLINER-TRANSPORTER

SCHEMATICS
UPHOLSTERY ASSEMBLY
BACK FRAME ASSEMBLY

FOR DESCRIPTION,
SEE PARTS LISTING ON FOLLOWING PAGES

CHAIR FRONT FACES



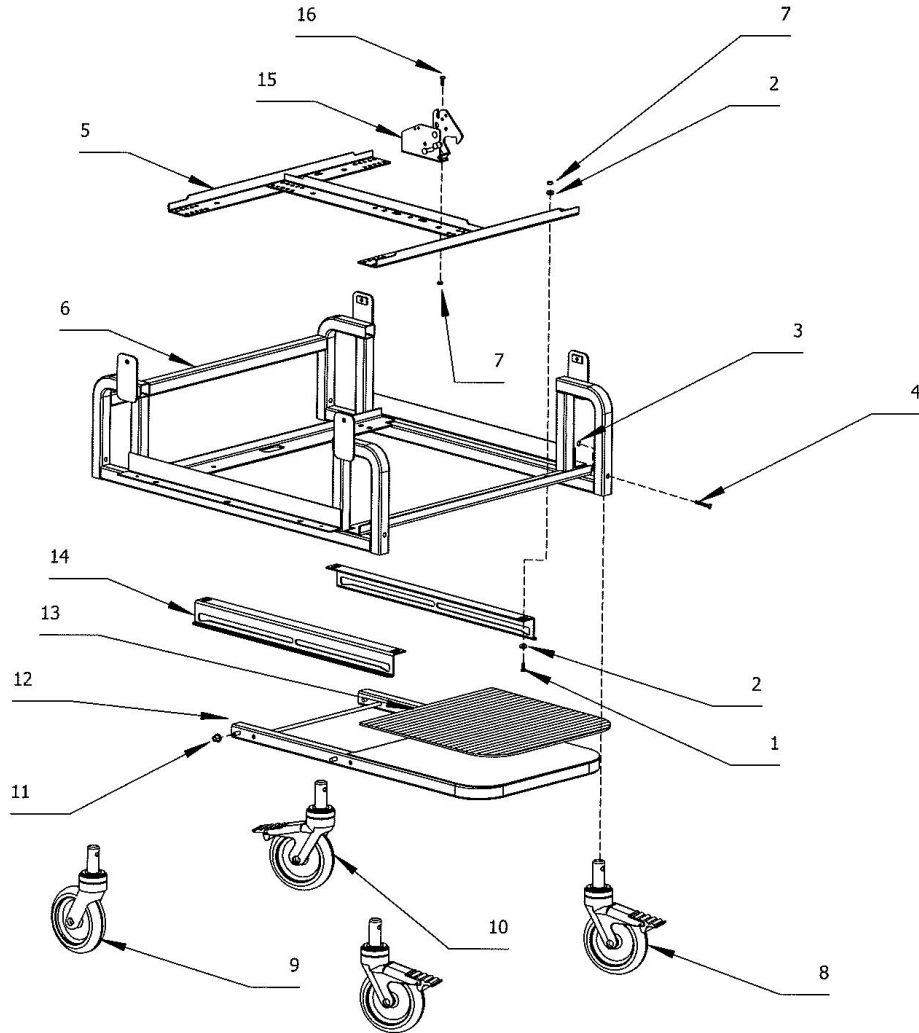
Note: Some components may have a different appearance as shown in the picture due to multiple models of chairs. The serial number of the chair informs Customer Service of the proper components for that chair.

MEDICAL RECLINER-TRANSPORTER

SCHEMATICS
FRAME BASE
FOOT TRAY
CASTERS

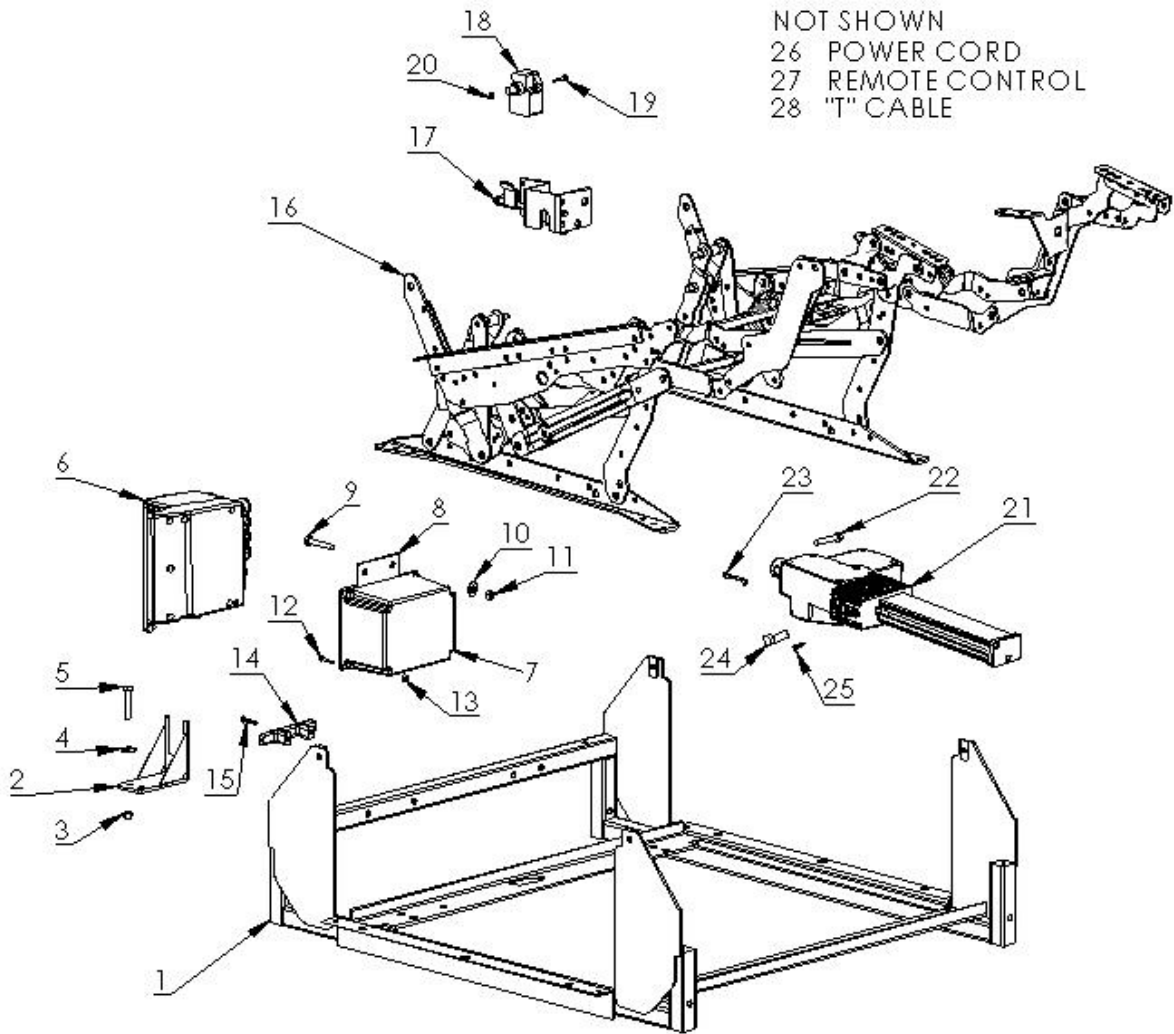
FOR DESCRIPTION,
SEE PARTS LISTING ON FOLLOWING PAGES

CHAIR FRONT FACES 



Note: Some components may have a different appearance as shown in the picture due to multiple models of chairs. The serial number of the chair informs Customer Service of the proper components for that chair.

POWER RECLINER



NOTE: Some components may have a different appearance as shown in the picture due to multiple models of chairs. The serial number of the chair informs Customer Service of the proper components for that chair.

MEDICAL RECLINER-TRANSPORTER			
PG-PART#	DESCRIPTION	PG-PART#	DESCRIPTION
26-01	MECHANISM W/ ALL UPHOLSTERED	26-39	SNAP CAP RECEIVER
	PARTS ATTACHED-for illustration	26-40	#6 X 32 NYLON LOCK NUT
26-02	LEFT HAND SWING ARM ASM.	26-41	LATCH
26-03	MECHANISM LATCH	26-42	LATCH ASM. MOUNT
26-04	858 SERIES FRAME BASE	26-43	LATCH ASM COMP. RH
26-05	1/4X20X1 1/4 HEX BOLT	26-44	LATCH ASM COMP. LH
26-06	PULL OUT FOOT TRAY		(NOT SHOWN)
26-06A	TREAD FOR PULL OUT FOOT TRAY	27-01	FOOT REST (UPH.)
26-07	CASTER; FRONT TOTAL LOCK	27-02	CENTER BOARD ASSEMBLY
26-08	CASTER; STEERING	27-03	SEAT ASSEMBLY
26-09	CASTER; SWIVEL	27-04	BACK PILLOW ASSEMBLY
26-10	FLANGED NYLON BUSHING	27-05	FOAM: TOP STRIP
26-11	TRACK SET; FOR PULL OUT FOOT TRAY	27-06	BACK FRAME (FOR TREND SHOWN)
26-12	1/4 X 20 REV. LOCK NUT	27-07	5/16X18 TOP LOCK NUT
26-13	3/8X16 REV. LOCK NUT	27-08	5/16 FLAT WASHER
26-14	5/16 FLAT WASHER	27-09	UPH. BK PANEL W/TREND
26-15	*INTENTIONALLY MISSING*	27-09A	BK PANEL W/O TREND NOT SHOWN
26-16	RELEASE ASSEMBLY	27-10	TREND CONTROL
26-17	#8 X 1 WASHER HEAD SCREW	27-11	PUSH HANDLE
26-18	1/4X20X3/4 HEX BOLT	27-12	1/4 X 20 X 1 3/4 PHILLIPS MS
26-19	1/4 FLAT WASHER	27-13	SNAP CAP ASM.
26-20	#6 X 16 X 7/16	27-14	1/4X20X 1 1/2 HEX BOLT
26-21	TABLE TOP	27-15	MECHLOK UPH. COVERS
26-22	TABLE BRACKET SET	27-16	RELEASE ASSEMBLY
26-23	RECLINE ACT. HANDLE ONLY	27-17	SILICONE LUBRICATING WASHER
26-24	RH ARM ASM	27-18	MECHLOK ASM, RH SHOWN
26-25	"C" HINGE ARM BRKT	27-18A	LINK SETJW/O TREND OPT.)
26-26	1/4X20 SPLIT LK WASHER	27-19	5/16 X 18 X 1 1/4 (SHORTENED)
26-27	1/4X20X 1 1/2GRD5HEX	27-20	FLANGED BUSHING
26-28	1/4X20X 1 3/4GRD5HEX	27-21	BK MOUNT BRACKET (TREND)
26-29	3/8X16X9" HEX BOLT	27-21 A	BK MOUNT BRACKET (W/O TREND)
26-30	"C" HINGE BASE BRKT	27-22	RELEASE SPRING
26-31	1/4X20 REV. LOCK NUT	27-23	THUMB KNOB
26-32	RING COTTER	27-24	RECLINE MECHANISM
26-33	CAP RELEASE HANDLE	27-25	1/4X20 HEX NUT
26-34	RELEASE HANDLE	27-26	1/4 SPLIT LOCKING WASHER
26-34A	RELEASE HANDLE (INTERNAL)	27-27	MECHANISM SPRING
26-35	1/4X20X5/8 HEX BOLT	27-28	1/4X20 REVERSE LOCK NUT
26-35A	# 10-32X3/4 MACHINE SCREW	27-29	#8 X 1 SELF TAPING SCREW
26-36	RELEASE HANDLE MOUNT	27-30	1/4 X 20 X 3/4 TRUSS HEAD PHILLIPS
26-36A	RELEASE COVER	27-31	MECH. SIDE COVER SET (1 SHOWN)
26-37	SNAP CAP TOP	27-32	MECH. FRONT COVER SET (1 SHOWN)
26-38	#6 X 32 X 7/8 M. SCREW		

MEDICAL RECLINER-TRANSPORTER

PG-PART#	DESCRIPTION	PG-PART#	DESCRIPTION
28-01	1/4X20X1 HEX BOLT	29-01	POWER FRAME BASE
28-02	1/4 FLAT WASHER	29-02	CONTROL BOX MOUNT
28-03	1/4 X 20 REVERSE LOCK NUT	29-03	1/4-20 LOCK NUT
28-04	1/4X20X1 1/4 HEX BOLT	29-04	1/4 FLAT WASHER
28-05	FLOOR RAIL ASSEMBLY	29-05	1/4-20 X1.5" BOLT
28-06	FRAME BASE	29-06	CONTROL BOX
28-07	1/4 X 20 NYLON LOCK NUT	29-07	BATTERY (OPTION)
28-08	CASTER, TOTAL LOCK	29-08	BATTERY PLATE (OPTION)
28-09	CASTER, SWIVEL	29-09	1/4-20X1.5" BOLT (OPTION)
28-10	CASTER, DIRECTIONAL LOCKING	29-10	1/4 FLAT WASHER (OPTION)
28-11	FLANGED BUSHING	29-11	1/4-20 LOCK NUT (OPTION)
28-12	PULL OUT FOOT TRAY	29-12	#8X3/4" SCREW (OPTION)
28-13	TREAD	29-13	#8 LOCK NUT (OPTION)
28-14	TRACK SET; PULL OUT FOOT TRAY	29-14	ROPE CLEAT
28-15	MECHANISM LATCH	29-15	#8X1.5" SCREW
28-16	1/4 X 2 0 X 5/8 HEX BOLT	29-16	POWER MECHANISM
		29-17	SWITCH MOUNT (TREND ONLY)
		29-18	LIMIT SWITCH (TREND ONLY)
		29-19	#6X7/8" SCREW (TREND ONLY)
		29-20	#6 LOCK NUT (TREND ONLY)
		29-21	POWER ACTUATOR
		29-22	CLEVIS PIN
		29-23	COTTER PIN
		29-24	3/8-16X5/8" BOLT
		29-25	1/4X1/2" SCREW
		29-26	POWER CORD (NOT SHOWN)
		29-27	HANDSET (NOT SHOWN)
		29-28	"T" CABLE (OPTION W/DUAL) (NOT SHOWN)