

# CHAMPION™

Quality Healthcare Seating Products

## 59 Series

RELAX RECLINER

RATED UP TO 300 LBS.

Part #596 MANUAL RECLINER  
Part #59P POWER RECLINER\*



Shown with optional side tables.

Providing a cost effective alternative *when patient transport is not required*, the 59 Series starts off with durable three-inch casters that bring the recliner closer to the ground. From there, build the recliner to meet the needs of your patient population by adding available options and accessories.

Z-spring construction for greater comfort.



All steel, powder-coated frame for durability.\*\*

### STANDARD FEATURES

Stationary arms

3" steel casters

Wall-hugger mechanism (infinite recline positions)

Quick-release seat

Wall-hugger recline mechanism



Quick-release seat



### STANDARD VINYL SELECTION



Natural  
T09



Aquamarine  
T19



Bonnie Blue  
T21



Iced Mint  
T26



Tearose  
T43



Colonial Blue  
T45



Gray  
T56



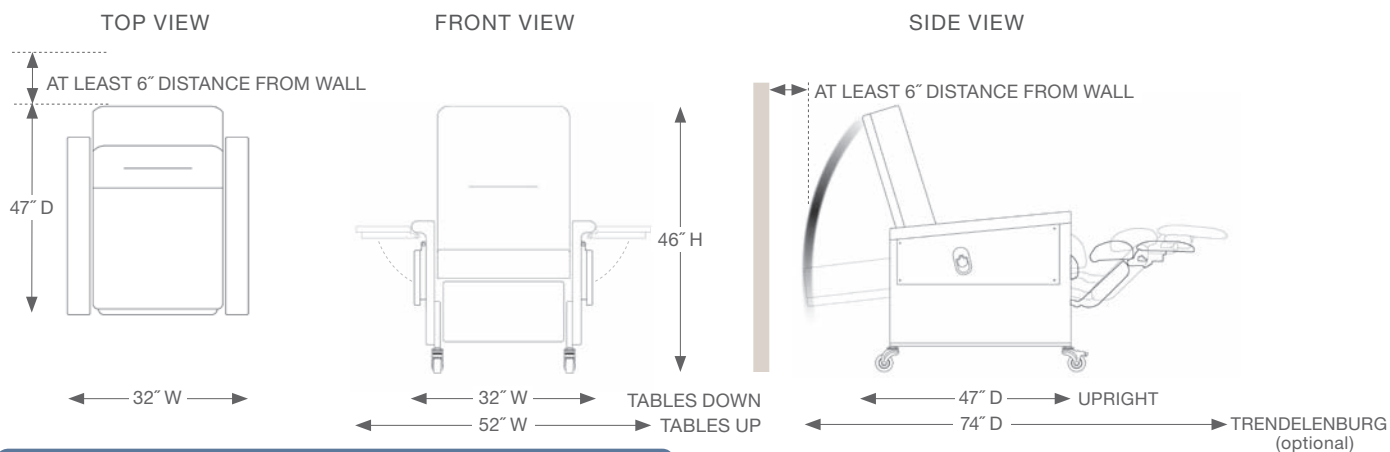
Cranberry  
T96

Printed color swatches may not be an exact match to actual fabrics and are enlarged to show detail.

\*The 59P (without the heat & massage option) is UL 60601-1 certified.

\*\*Retractable foot tray and five-inch casters do not come with the 59 Series, but can be added as an option.

## SPACE REQUIREMENTS



## SPECIFICATIONS

Weight capacity	300 lbs.
Back height (from floor/seat)	46"/29"
Overall width (2 tables down/up)	32"/52"
Seat width	22.5"
Arm height (from floor, front/back)	27.5"/24.5"
Seat height/depth	21"/18"
Upright overall depth	47"
Steel casters	3"



## OPTIONS

Trendelenburg (T)

Break-away arm – Note patient left (L) or right (R) side

First fold-away side table (F) – Note patient left (L) or right (R) side

Second fold-away side table (S7) –  
not available with break-away arm option

Cupholder – on all tables (C), on one of two tables,  
specify CUP-HOLDER (right or left)

Retractable foot tray (P)

Heat (J) – (596 manual model only)

Heat and massage (JM)

CAL 133 fire barrier (3)\*\*\*

Vinyl upgrades

Champion, graded vinyl selections\*\*\*\*

Customer's own material (COM)

PVC-free material

Battery backup (BATTERY) – (59P model only)

Dual-hand control (DUALACT-PWR) – (59P model only)

\*\*\*Contact Champion for a list of fire-tested vinyls.

\*\*\*\*For available patterns and colors for graded vinyl selections, please contact your Champion sales representative.



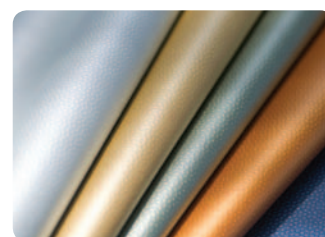
HEAT OR HEAT/MASSAGE



BREAK-AWAY ARM



TRENDLENBURG\*\*



VINYL UPGRADES

## ACCESSORIES

Provide your patient the best care and comfort with an over-the-lap tray, cup holders, head pillow/lumbar support, cushion wedge/arm support, footrest extender, TV mount, nocturnal sleep pad, side guards, IV poles

or an oxygen tank holder. For a complete list of our accessories, please see our *Accessories* brochure or ask your Champion sales representative for more information.

# CHAMPION™

Information contained in this literature is based on the latest product data available at the time of printing. Photography, artwork, text and specifications are subject to change. Photography may show optional items. Due to photographic and printing processes, product colors in this brochure are not necessarily accurate. Champion Manufacturing, Inc. reserves the right to make changes to colors, materials, prices, standards, options, equipment and any specification at any time without notice or obligation. Contact Champion direct for additional information and the latest specifications.