

CLINICAL, THERAPEUTIC SEATING

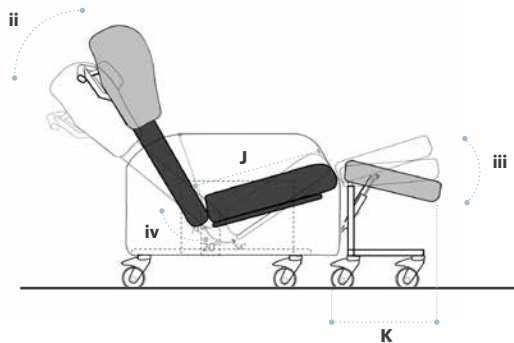
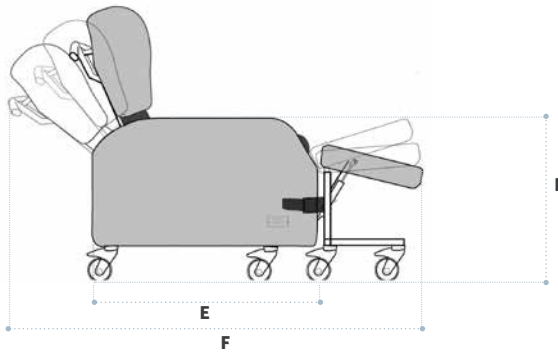
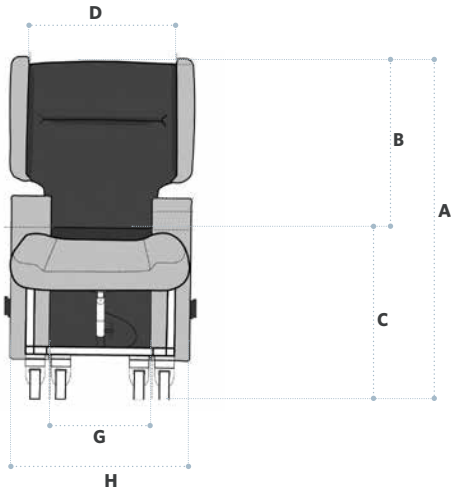
Atlanta



A revolution in seating design.

The Atlanta™ is a robust and durable chair which provides a safe and comfortable seat for those with vigorous involuntary movements while reducing the risk of falling from the chair.

Technical information



Safe Working Load (SWL)

350 lbs (159 kg)

Basic dimensions

A	Overall height	45" (1,135 mm)
B	Back height	30" (750 mm)
C	Seat height	21.25" (540 mm)
D	Inside back width	20" (505 mm)
E	Overall length	35.5" (900 mm)
F	Reclined length	68" (1,730 mm)

Available seat and overall widths

G (Seat width)	H (Overall width)
15" (380 mm)	28" (715 mm)
18" (450 mm)	28" (715 mm)
20" (500 mm)	28" (715 mm)

Arm height options

I	High	26" (660 mm)
----------	------	--------------

Seat depth

J	19" (480 mm)
K	16.5" (420 mm)

Recline and tilt angles

ii	Back angle recline 110°-140° (30° range)
iii	Leg rest angle 75°-107° (32° range)
iv	Integrated tilt and recline 54°-74° (20° range)