

Maxi Sky 440
Instructions for Use



Design Policy and Copyright

® and ™ are trademarks belonging to the ArjoHuntleigh group of companies.

© ArjoHuntleigh 2014.

As our policy is one of continuous improvement, we reserve the right to modify designs without prior notice. The content of this publication may not be copied either whole or in part without the consent of ArjoHuntleigh.

Table of Contents

General Information	5
Foreword	5
Service and Support	5
Manufacturer Information	5
Definitions Used in this Manual	6
Intended Use	6
Operational Life	6
Product Identification	6
Package Contents	6
How to Use this Manual	6
Symbols Used	7
Safety Instructions	8
General Instructions	8
Addendum for Rail Systems other than KWIKtrak™	8
Safe Working Load	8
Important Safety Directions	9
Shock Prevention	9
Fire and Explosion Prevention	9
Human and Environmental Safety Practices	10
Battery and Battery Charger Safety Practices	10
Equipment Warning Labels	10
Homecare Environment Considerations	10
Product Description	11
<i>Maxi Sky 440</i> Portable Lift and Charger Station	11
Hand Control	12
Charger	12
Indicators	12
Accessories	13
Slings	14
Compatible Slings	14
How to Use the <i>Maxi Sky 440</i>	15
Use of Slings	15
Before Approaching the Patient	15
Installing the Patient into the Sling	15
Transferring the Patient	16
Emergency Shut-off	17
Emergency Lowering	17
Emergency Brake	17
Battery Information	19
Charging the Batteries	19
Pass-Through Hook	20
Before Transferring the Lift	20
Acceptable Rail Configurations	20
Unacceptable Rail Configurations	20
Pass-Through Procedure	20
Care and Maintenance	22
Preventive Maintenance Schedule	22
User Inspections	22
Inspections by an Authorized Service Technician	23
Daily Checklist	24
Inspection and Cleaning	24
<i>Maxi Sky 440</i> 's Special Areas to Clean	24

Table of Contents

Strap Inspection	25
Handling and Storage	25
Battery Replacement	25
Verification of the Charger's Power Source	25
Sling Inspection and Care	26
Annual Inspection	26
Maintenance Requirements	26
Troubleshooting	27
Labels on the Lift	28
Technical Specifications	29
Lift Dimensions	30
Electromagnetic Compatibility	31
Electromagnetic Compliance.....	31
Electromagnetic Emissions.....	31
Electromagnetic Immunity.....	32

General Information

Thank you for buying the *Maxi Sky*[®] 440 portable lift from ArjoHuntleigh.

Your *Maxi Sky 440* is part of a series of quality products designed specially for home care, nursing homes and other health care uses.

We are dedicated to serving your needs and providing the best products available along with training that will bring your staff maximum benefit from every ArjoHuntleigh product.

Contact us if you have any questions about the use or maintenance of your ArjoHuntleigh product.


Foreword

Please read this manual in its entirety. The information contained in it is crucial to the proper use and maintenance of the *Maxi Sky 440*. It will help protect your product as well as ensure that the equipment performs to your satisfaction.

Lifting and transferring a person always present a potential risk. Some of the information in this manual is important for your safety and must be read and understood to help prevent injuries.

WARNING: ArjoHuntleigh strongly advises and warns that only parts designated by ArjoHuntleigh should be used on products and other devices supplied by ArjoHuntleigh. Injuries can be caused by the use of inadequate parts.

WARNING: Unauthorized changes on any ArjoHuntleigh product may affect its safety. ArjoHuntleigh will not be held responsible for any accidents, incidents or deficiencies of performance that occur as a result of any unauthorized changes to its products.

Tested according to standards by: 

Service and Support

A service routine must be done on your *Maxi Sky 440* by ArjoHuntleigh trained service staff. This will ensure the product remains safe and functional. See “Care and Maintenance” section.

Please contact your local ArjoHuntleigh agent if you need more information, want to report an unexpected event or need any help in setting up, using or maintaining your *Maxi Sky 440*. The agent can offer support and service programs to maximize the long-term safety, reliability and value of the product.

Contact your local agent for replacement parts.

Additional copies of this manual can be bought from your local ArjoHuntleigh agent. When ordering, include the *Instructions for Use* part number (see *front page*) and the product part number.

Manufacturer Information

This product has been manufactured by:

ArjoHuntleigh AB
Hans Michelsensgatan 10
211 20 Malmö,
SWEDEN

General Information

Definitions Used in this Manual

WARNING:

Means: Failure to understand and follow these instructions may result in injury to yourself and others.

CAUTION:

Means: Failure to follow these instructions may cause damage to the product.

NOTE:

Means: This is important information regarding the correct use of the equipment.

Intended Use

The *Maxi Sky 440* is designed for lifting patients in a homecare setting, at nursing homes and other assisted living centers. Patient transfers must be done under the supervision of trained caregivers in accordance with the instructions found in this manual.

The product must only be used for the reasons stated above. It must be installed by ArjoHuntleigh authorized personnel and in accordance with local codes.

Operational Life

The product is designed and tested for a useful life of seven (7) years or 10,000 transfers—whichever comes first—when subject to preventive maintenance as specified in the “Care and Maintenance” section.

Time equivalence between the number of transfers versus the number of years is made clear in the table in Fig. 1.

Transfers per Day	Years (10,000 transfers)
4	7
6	4.5
8	3.5

Fig. 1

WARNING: The manufacturer cannot ensure full safety for a portable lift or an accessory of which the life span has been exceeded. Wear may cause the breakage of a part and lead to a patient fall.

The red indicator light on the portable lift will blink when it is about halfway to its useful life, and again to indicate the end of the useful life period.

The operating life of this product corresponds directly to the safe operating time period before a complete service is required.

Aging of the cassette, frequency of use (transfers per day), the weight of the patient and maintenance frequency are factors that have an impact on the *Maxi Sky 440*'s life span.

A transfer is defined as the displacement of a patient from one point to another. A transfer cycle includes a lifting and a descending action.

The expected operational life for fabric slings and stretchers is approximately 2 years from purchase date. The life expectancy only applies if the slings and stretchers have been cleaned, maintained and inspected in accordance with the “Preventive Maintenance Schedule.”

The expected life for other consumable products, such as batteries, fuses, lamps, slings, straps and cords is dependent upon the care and usage of the product concerned. Consumables must be maintained in accordance with published *Instructions for Use* and the “Preventive Maintenance Schedule”.

Product Identification

The unit's identification number (specification, model, serial number) appears on a silver nameplate affixed below the casing (see Fig. 25 on page 28).

Package Contents

Upon receipt of the equipment, verify it against the packing list to ensure it is complete. Inspect it for possible damage due to shipping. If this the case, contact your local ArjoHuntleigh agent.







How to Use this Manual




WARNING: Do not attempt to use this lift without fully understanding the information contained in this manual. A misuse of this unit may lead to a patient fall and to injuries.

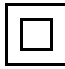
Keep this manual with the lift and refer to it as required.

General Information

Symbols Used

General Symbols	Key to symbols
	Points out the date of manufacture and the address of the manufacturer.
	Points out the products comply with the medical device directive 93/42/EEC.
	Points out the approval of the Canadian Standards Association.
REF	Is accompanied by the manufacturer's catalogue number.
SN	Is accompanied by the manufacturer's serial number.
	Refers to the <i>Instructions for Use</i> .
	Points out "separate collection" for all batteries and accumulators as per the WEEE Directive.
	Points out a risk of pinching.

General Symbols	Key to symbols
SWL	Represents the maximum load the lifte is rated for safe operation.
IP_{N₁N₂}	Points out the degree of protection provided by enclosure. N ₁ : Ingress of particles, N ₂ : Ingress of water.
	Direct current.
	Alternating current.
	Points out a type BF applied part.

Charger Related Symbols	Key to symbols
	Points out a class II electrical equipment: term referring to electrical equipment in which protection against electric shock does not rely on basic insulation only.

Safety Instructions

If there is anything you are not sure about, or if you notice any changes in the performance of your lift, contact your local ArjoHuntleigh agent.

General Instructions.

CAUTION: The *Maxi Sky 440* is for transferring patients only. Do not use it for any other reason. It could get damaged and the safety of the patient may be compromised.

WARNING: Always place the sling around the patient according to the instructions found therein. Failure to do so may result in injuries to you or to others.

CAUTION: Do not drop the lift. It may cause internal damage. If the portable lift is suspected to be damaged, contact your local ArjoHuntleigh agent.

NOTE: ArjoHuntleigh lifts are specifically designed for KWIKtrak™ rail systems, ArjoHuntleigh slings and accessories.

Addendum for Rail Systems other than KWIKtrak™

ArjoHuntleigh could have adapted this lift cassette to be used with a rail system other than *KWIKtrak*. If this is the case, an addendum (001-14350-XX) must be supplied with this *Instructions for Use*. This document provides important information relative to:

- Rail system limitations;
- Descriptions of specific parts.

WARNING: Before using the *Maxi Sky 440* with a rail system other than *KWIKtrak*, make sure you have read and understood the addendum supplied with the adapted accessory.

Safe Working Load

The *Maxi Sky 440* has been designed with a lifting capacity of 200 kg (440 lb).

WARNING: The *Maxi Sky 440* is intended to be used for patients whose weight is within a specified safe working load. Do not attempt to lift more than the lowest weight limit indicated on the following:

- the rail system;
- the “maximum load” label on the lift;
- the accessories;
- the sling.

Surcharge of any of these elements may lead to a patient fall and to injuries.

Safety Instructions

Important Safety Directions

Always ensure that:

- The portable lift was installed by an approved ArjoHuntleigh contractor or installer.
- The product is used by trained caregivers.
- The rail installation will accept a load equal or higher to that of the portable lift.

WARNING: Before attempting a transfer, a clinical assessment of the patient's suitability for transfer should be carried out by a qualified health professional. The transfer, among other things, may induce substantial pressure on the patient's body. A transfer conducted when it should not can degrade the patient's health condition.

- Special consideration is taken with a patient who is connected to electrodes, catheters or other medical devices.
- Violent impact during transfers is avoided.
- The sling is not damaged, torn or frayed.
- The lifting procedures found in this manual are followed.
- All controls and safety features are used only according to the rules specified in this manual. Never attempt to force a control or button on the lift.
- The charger is not stored in a shower, bath or other areas with high humidity.
- The sling straps are in good condition and properly fastened.
- The daily maintenance is carried out before using the lift.
- If storing the lift, the humidity in the storage area does not exceed 100%.
- The ambient temperature range when storing the *Maxi Sky 440* remains between -25°C and 70°C (-13°F to 158°F).

WARNING: This product contains small parts that might present a choking hazard for children if swallowed or inhaled.

WARNING: ArjoHuntleigh warns of possible strangulation risks related to the lifting strap or the hand control cable. Necessary precautions should be taken to prevent these.

CAUTION: Keep all components of the lift clean and dry to avoid a malfunction of the device.

CAUTION: Excessive exposure of the hand control to water (or other liquids) could cause a malfunction of the device.

Shock Prevention

- Do not touch or use a lift with bare conductors or a damaged power cord. If this is the case, contact your local ArjoHuntleigh agent immediately.
- Do not expose the unit to water or moisture.
- Check nameplate for input voltage and frequency requirements. These ones differ by country. Do not attempt to use the lift in an area that has a different voltage and frequency requirement.
- Do not attempt to expose, service or repair the lift, battery or charger. If the unit is malfunctioning, contact your local ArjoHuntleigh agent.
- Read batteries and charger instructions carefully before using or storing them.

Fire and Explosion Prevention

WARNING: Do not place or store the battery under direct sunlight or near a heat source.

WARNING: Do not expose the batteries or battery charger to flames. They might open, causing a chemical leak.

WARNING: Do not use the charger in the presence of flammable anaesthetic gases. These are inflammables. The charger might generate a spark, which could cause an implosion.

- Do not short circuit the battery terminals.
- Do not incinerate the battery.

Safety Instructions

Human and Environmental Safety Practices

- Should the battery casing crack and cause contents to come in contact with skin or clothing, rinse immediately with plenty of water.
- If contents come in contact with the eyes, rinse immediately with plenty of water and seek medical attention.
- Inhalation of the contents can cause respiratory irritation. Provide fresh air and medical attention.
- For recycling and disposal of the batteries, the rules according to the WEEE directive (Waste of Electronic and Electrical Equipment) as well as local laws and regulations must be followed. If not they may explode, leak and cause personal injury. When returning batteries, insulate their terminals with adhesive tape. Otherwise, the residual electricity in used batteries may cause fire or explosion. Fig. 2 below shows the symbols for disposal and recycling.

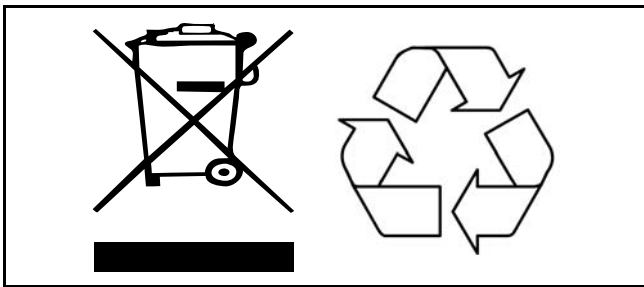


Fig. 2

Battery and Battery Charger Safety Practices

WARNING: Following the instructions is important for the safe use of the battery and to keep the user (resident/caregiver) from harm.

The batteries for this device are rechargeable batteries.

Only use batteries designed for use with the device. If unsure, do not use the battery. Make sure the battery belongs to the device by comparing the battery label with the technical specifications in the *Instructions for Use*. If battery type cannot be confirmed, call your ArjoHuntleigh agent.

- Do not expose the battery charger or connector to water.
- Do not expose the battery or chargers to flames.

To avoid bodily injury, do not crush, puncture, open, dismantle or otherwise mechanically interfere with the battery.

Stop using the battery if any damage or deformation is noted. Inform technical service before further use.

Please see the “Technical Specifications” in this document for correct disposal and recycling of the battery.

- Be careful not to drop the batteries.
- Only use the charger that has been supplied with the lift.
- Do not charge the batteries in an unventilated area.
- The charger must not be covered or exposed to dust.
- The charger is designed for dry areas only and for normal air humidity conditions.
- Do not store batteries at a temperature higher than 70°C (158°F).

Equipment Warning Labels

- Carefully read the labels on the battery and follow the instructions.
- Inspect all precautionary labels on the equipment. Order and replace all labels that cannot be easily read.

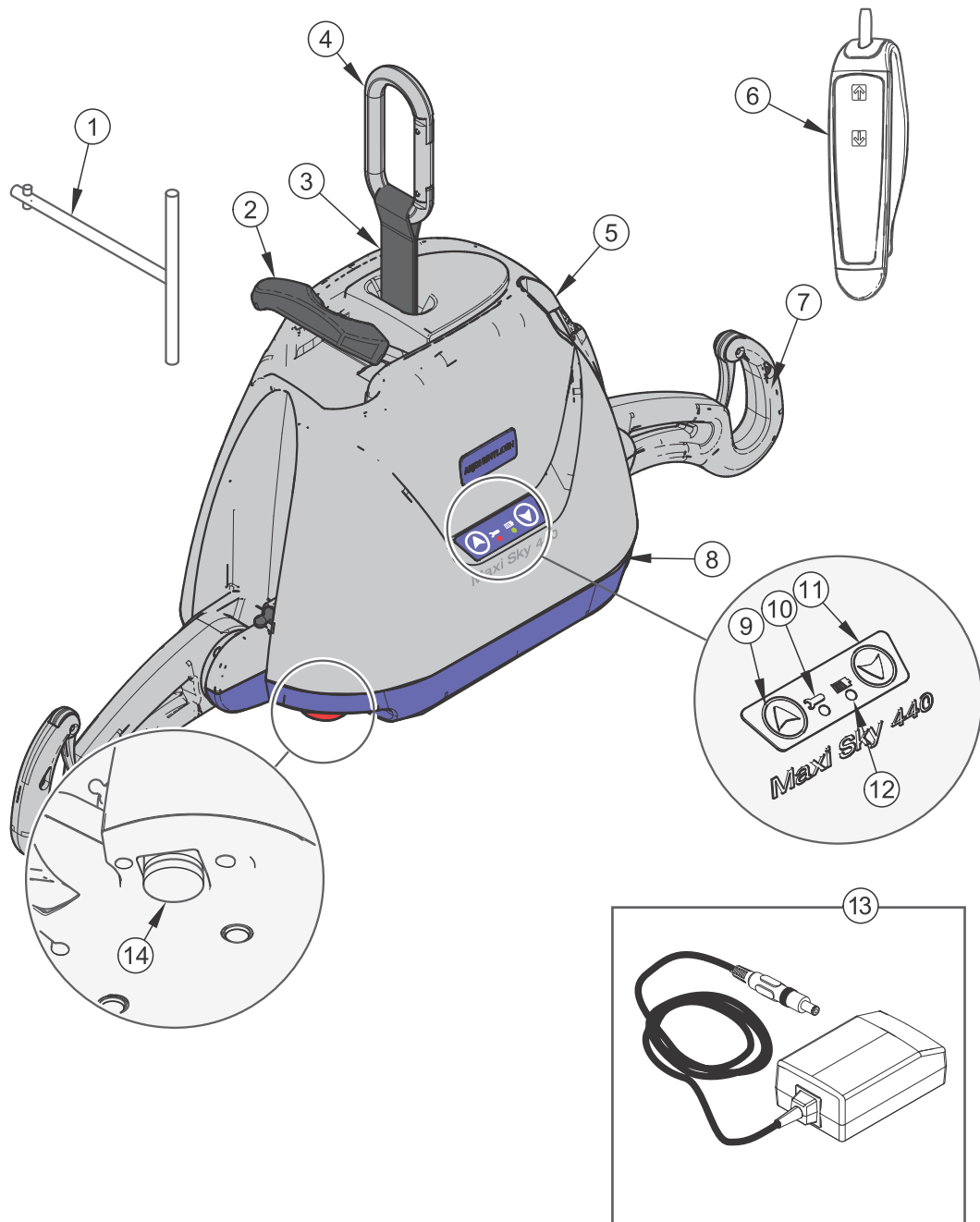
Homecare Environment Considerations

WARNING: The *Maxi Sky 440* is not intended to be operated by children. Serious injuries could occur.

NOTE: Rigorous cleaning actions should be done when the *Maxi Sky 440* is exposed to an animal. Pet hair trapped inside the device (through the strap opening) can reduce the product performance.

Product Description

Maxi Sky 440 Portable Lift and Charger Station



Legend

- | | |
|----------------------------|----------------------------------|
| 1) Emergency lowering tool | 8) DC charger inlet |
| 2) Pass through hook | 9) UP button |
| 3) Strap | 10) Maintenance indicator light |
| 4) Carabiner | 11) DOWN button |
| 5) Hand control holder | 12) Charge indicator light |
| 6) Hand control unit | 13) Charger (with mains adaptor) |
| 7) Support | 14) Emergency shut-off button |

Fig. 3

Product Description

Hand Control

The *Maxi Sky 440*'s hand control unit is used to operate the portable lift. Each function is described in Fig. 4. The UP and DOWN buttons raise or lower the lift.

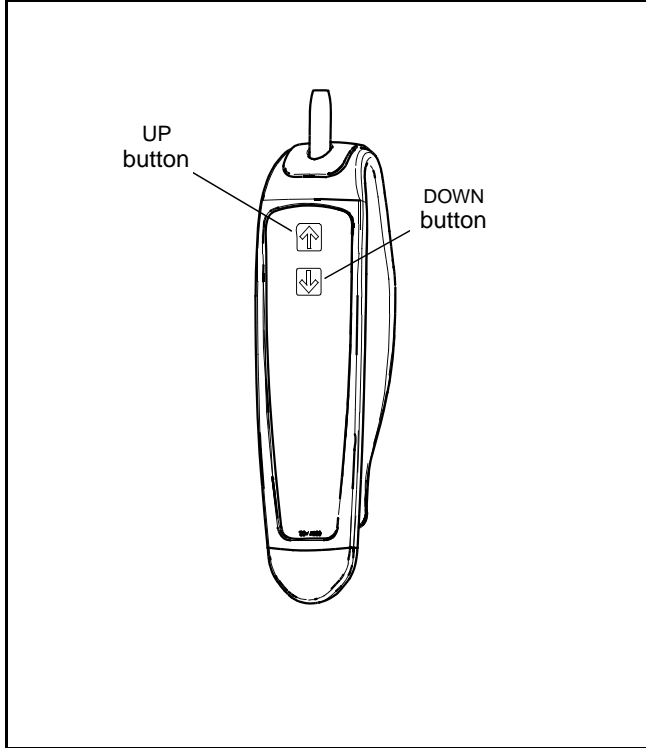


Fig. 4

Indicators



BATTERIES STATUS		
(Yellow) 	Flashing	In process of charging batteries.
	Solid	Charging done; batteries charged.
MAINTENANCE		
(Red) 	Flashing (no beep)	Maintenance required by your local agent.
	Flashing (with beep)	Batteries are low and needs to be recharged.
	Solid (with beep)	Maintenance in overdue. Stop using the lift and contact your local agent for service.

Fig. 5

Charger

The *Maxi Sky 440* units are equipped with a wall-adapted charger (see Fig. 3) that can be customized to fit the AC voltage outlets where they are sold.

Note: Avoid positioning the charger such that access to the plug is limited, making disconnection difficult.

Accessories

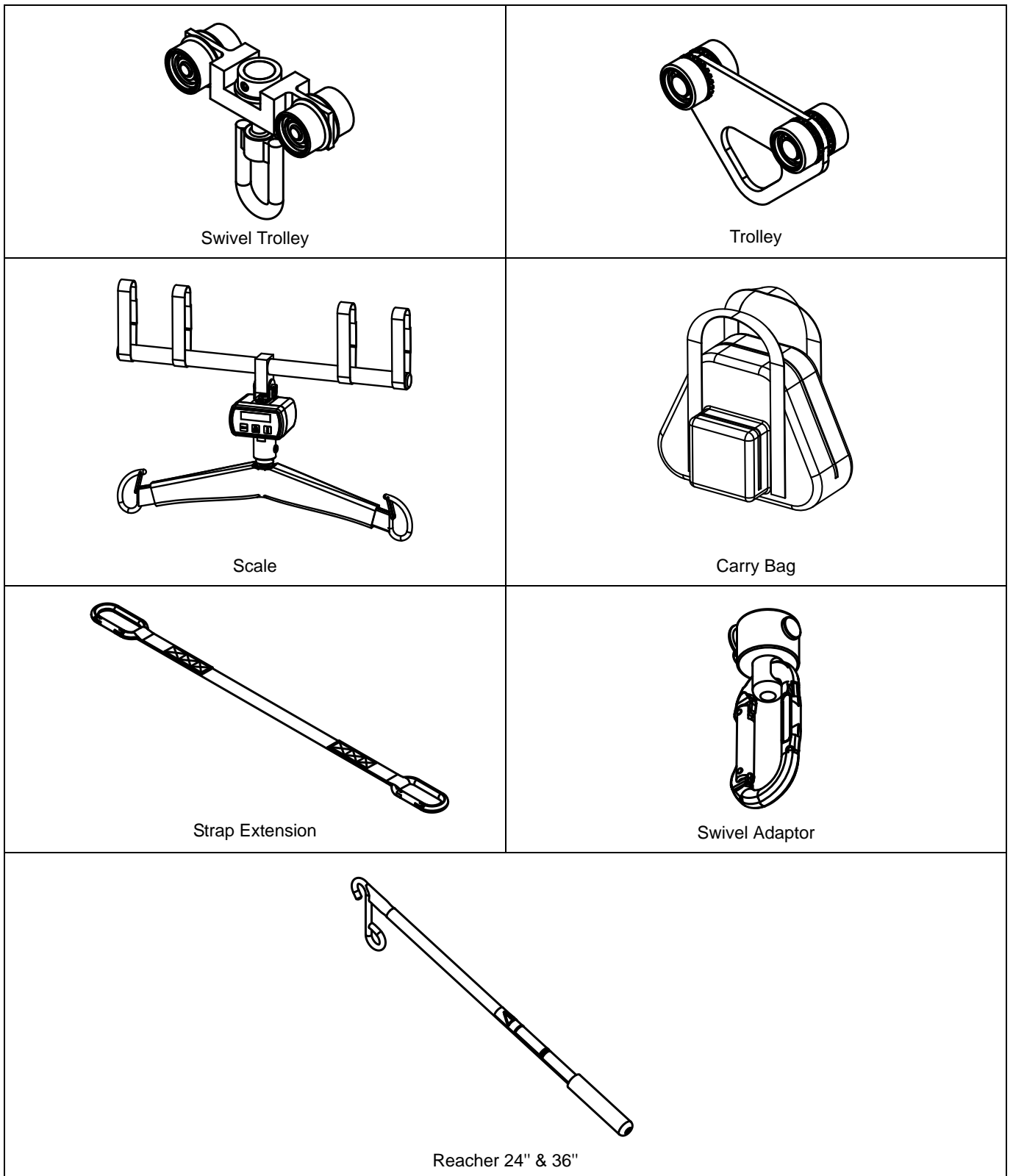


Fig. 6

Refer to your local ArjoHuntleigh agent for ordering.

WARNING: All trolleys are not compatible with all rail systems. Please contact your local ArjoHuntleigh agent to get more information.

Slings

Compatible Slings

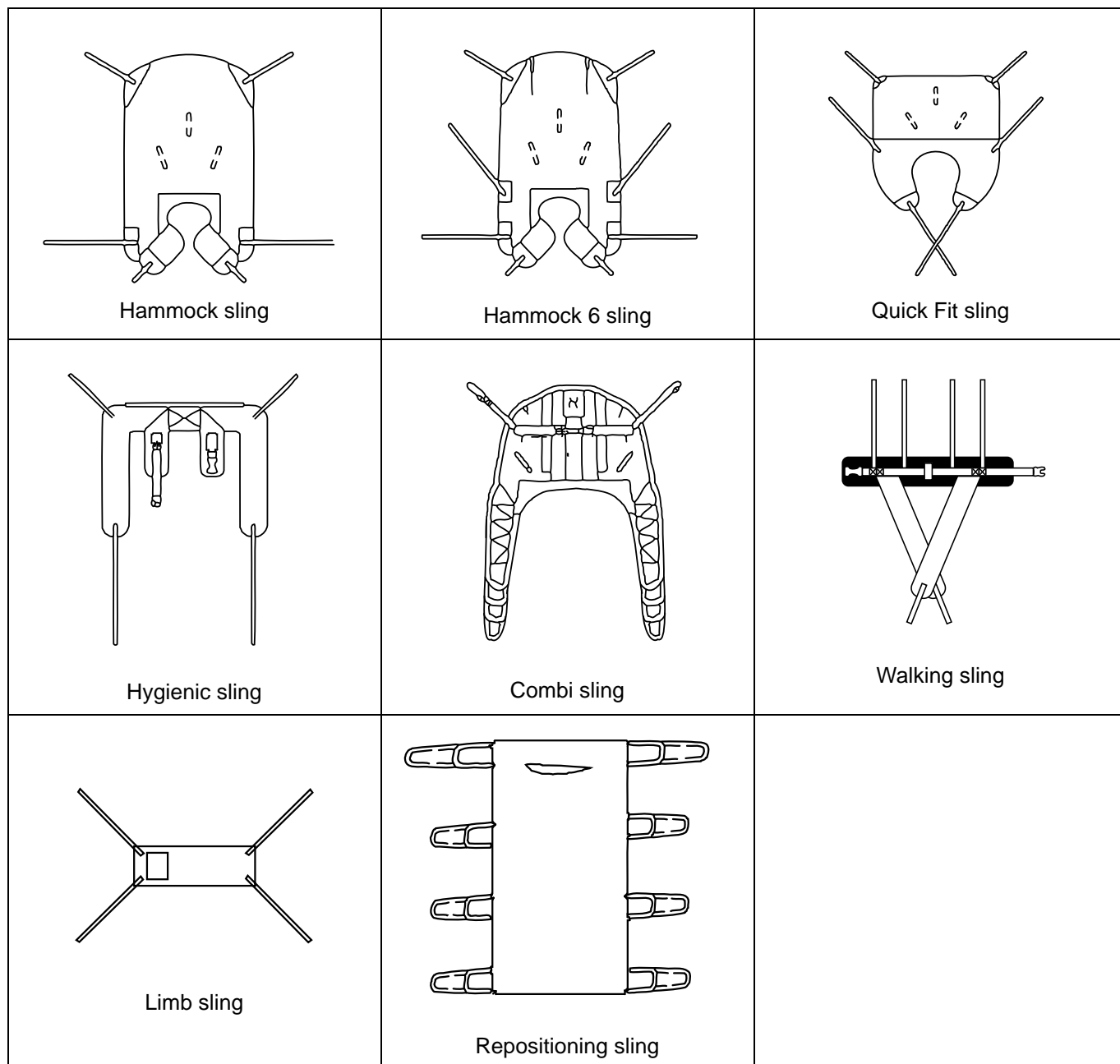


Fig. 7

Refer to your local ArjoHuntleigh agent for ordering.

How to Use the **Maxi Sky 440**

WARNING: All rails must be closed with end stoppers or connected to other closed rail components. Before use, make sure all end stoppers are in place and secured. A wrong installation of these items might lead to a patient fall and to injuries.

WARNING: The lift must never be operated by the patient. In the unlikely case of a failure, the patient might get stuck in the unit.

Use of Slings

The 2 sling supports can accommodate any of the ArjoHuntleigh loop attachment slings.

All slings are color coded for size by having a different colored edge binding or attachment strap coloring:

- Grey or Teal - Extra Extra Small - XXS
- White or Brown - Extra Small - XS
- Red - Small - S
- Yellow - Medium - M
- Green - Large - L
- Blue - Extra Large - XL
- Terracotta - Extra Extra Large - XXL

ArjoHuntleigh offers the option of a headrest for many slings if it is considered necessary for a particular patient. A range of special purpose slings are available as accessories. For these or for special size slings, contact your ArjoHuntleigh agent.

WARNING: When using ArjoHuntleigh *Flites* slings (disposable) with the *Maxi Sky 440*, always refer to the ArjoHuntleigh *Flites* operating instructions as well as these instructions before using.

Before Approaching the Patient

Attendants should always tell the patient what they are about to do. Make sure to have on hand a sling that is of the correct model and of adequate size for transfer with the *Maxi Sky 440*.

Before performing the transfer, it is important to evaluate the patient's general condition. For example, an agitated patient will require a more specific type of sling.

Attachment Methods

Once the loop sling has been fitted around the patient, it can be configured in three ways. With each of the three methods described below, it is necessary to first connect each shoulder loop of the sling to both sides of the spreader bar.

Attachments Points

The attachment point designation shown here are only for the purpose of the explanations below.

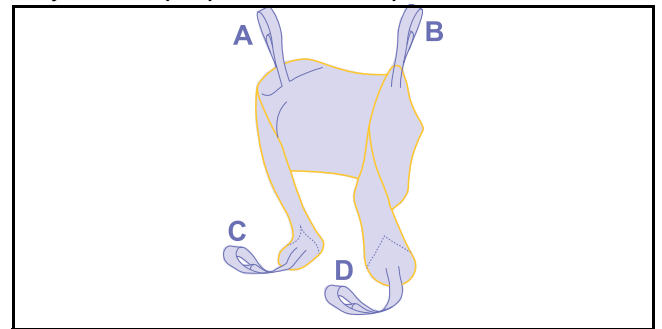


Fig. 8

Method 1 - Cross-through

(Legs closed with crossing straps)

This method is recommended for most general transfer (see Fig. 9).

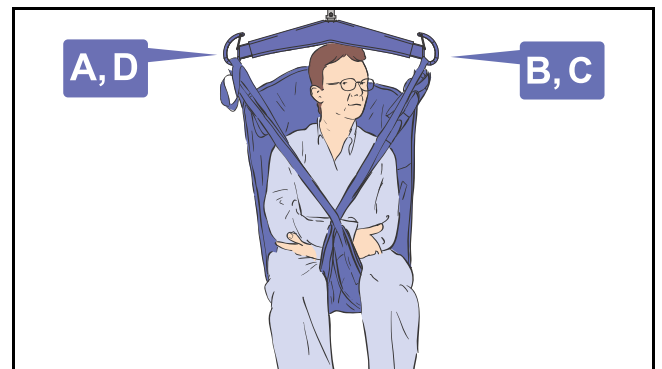


Fig. 9

Method 2 - Hammock

(Bridge, legs closed)

This method can provide a comfortable cradle for amputee patient.

It is also a useful method for patients with contractures, making it difficult to bring a sling strap between the legs (see Fig. 10).

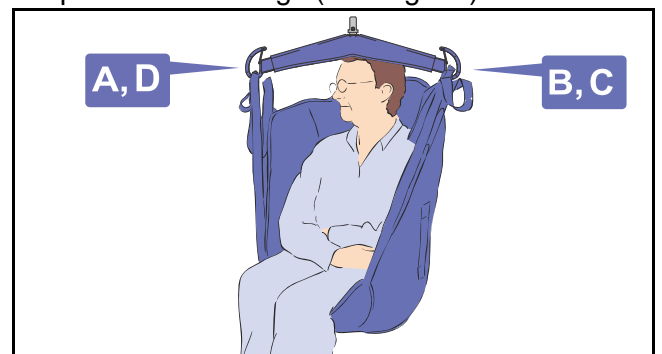


Fig. 10

How to Use the Maxi Sky 440

WARNING: This method might not be suitable for confused, combative or erratic patients as they can fall forward and get injured.

Method 3 - Abduction

(Legs opened with non-crossing straps)

In this method, legs are held in abduction which is convenient for toileting and hygiene care (see Fig. 11).



WARNING: This method might not be suitable for patients with no upper body control as they can slide down and almost out of the sling.

Transferring the Patient

To begin the transferring procedure:

- 1) Install the patient into the sling according to the "Installing a Patient into the Sling" section.
- 2) Unwind the strap by pressing the DOWN button on the hand control while holding a tension on the strap with the other hand.

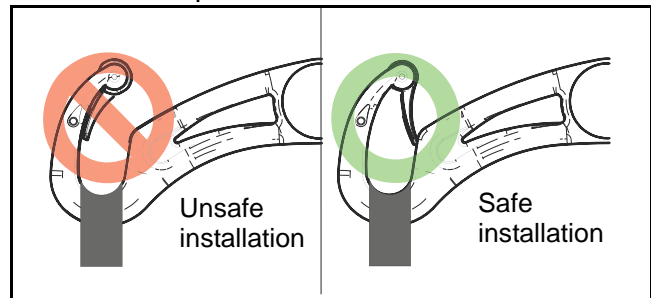
Note: There must be tension on the strap for the lift to function.

- 3) Attach the carabiner to the trolley and then move the lift over the patient.
- 4) Lower the lift below the chin and unfold supports before attaching the sling straps. (This will prevent the lift from striking the patient's face due to the lift's movement).

Note: For a patient in a supine position, lower the lift near the chest, unfold supports, then install the straps.

NOTE: The back of the sling has sewn handles to allow better positioning for the caregiver and enhancing patient safety.

- 5) To attach the sling, unfold the support on each side of the lift. Insert the strap loop onto the support and pull gently on the strap.
- 6) The support safety latch will rotate allowing the strap to slide into the hooks. The strap will be trapped inside the support as the safety latch will automatically revert to the closed position. Do not attempt to transfer a patient if the safety latches are not blocking the support's opening for the strap.

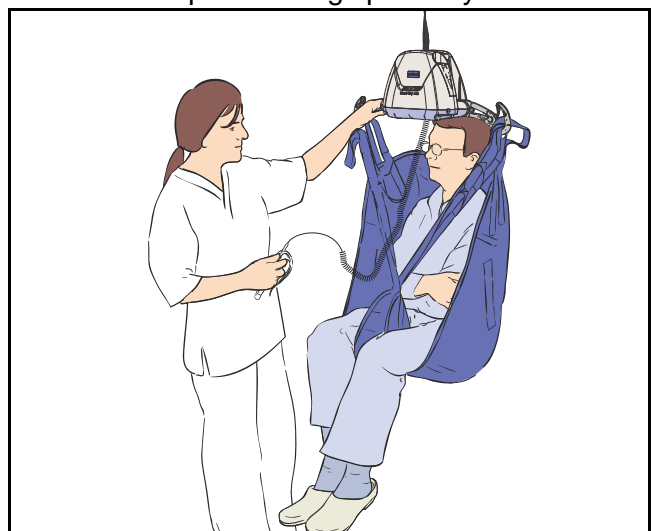


WARNING: Before lifting the patient:

- 1) Make sure that all straps are attached to the lift's supports.
- 2) Make sure the patient's arms are safely out of the way.
- 3) Make sure the sling is not caught on any obstructions (wheelchair brake or chair arm, etc.).

If any of the above occurs, lower the patient immediately and correct the problem. Any of these situations might lead to a patient falling.

- 7) To lift the patient, press the UP button on the hand control.
- 8) Lift the unit until the patient's buttocks clear the arm supports of the wheelchair, the top of the bath or the bed before moving the patient. Guide the patient's legs past any obstacles.



How to Use the Maxi Sky 440

- 9) When the patient is located above the desired point of transfer and ready to be lowered, press the DOWN button.
- 10) Once the patient is properly seated, loosen the straps and disengage the sling from the lift.

WARNING: Hold the ceiling lift spreader bar with one hand at all times when near a patient to avoid risk of contact.

- 11) Slide the lift away from the patient. Unhook the lift from the trolley and use the hand control to shorten the strap. You can now remove the sling from around the patient.
- 12) When the *Maxi Sky 440* is no longer required, plug the portable lift back to the charger.

WARNING: Constant attention to the patient is required from caregiver during the whole transfer. In the unlikely event of a failure of the device, the caregiver must be ready to react.

Emergency Shut-off

The operator can shut off the electrical power at any time by pressing the red mushroom-shaped emergency button under the lift. The button is reset by twisting it clockwise in the direction of the arrows. First time users should practice the shut-off manoeuvre before operating the lift with a patient.

Emergency Lowering

The *Maxi Sky 440* has a special safety feature that allows the lift to be lowered even if the electrical system does not operate.

Located on the right side of the lift (near the folding sling support), the emergency lowering device is activated by the insertion of the special tool included with this manual.

To lower safely a patient, follow these steps, as illustrated in Fig. 14:

- 1) Press on the red, emergency shut-off button under the lift. Move the lift with the patient over the bed or the wheelchair.
- 2) Remove the plastic cap covering the emergency lowering mechanism's entry.
- 3) Insert the special tool into the opening. Turn it clockwise to lower the patient. The tool rotation turns the motor directly, so that for each tool turn, the patient will lower slightly. Once the patient is lowered safely on a bed or into a wheelchair, remove the tool from the lift. Call a

qualified technician to service your *Maxi Sky 440*.

CAUTION: The emergency lowering feature is to be used only in case of emergency.

Emergency Brake

The emergency brake is an additional safety feature that automatically prevents the patient from falling in the unlikely event of a transmission or motor failure.

WARNING: After an incident has occurred and the brake was deployed, never attempt to unlock the brake or press the UP button. This may disengage the brake and make the patient fall. The emergency lowering device cannot be used.

WARNING: Never use a portable lift with the emergency brake deployed. Use other equipment to lower the patient. Forcing the lift to make it move might lead to patient fall.

The emergency brake is intended for a single activation and therefore can only be used once. Call your ArjoHuntleigh agent for replacement of the unit.

How to Use the Maxi Sky 440

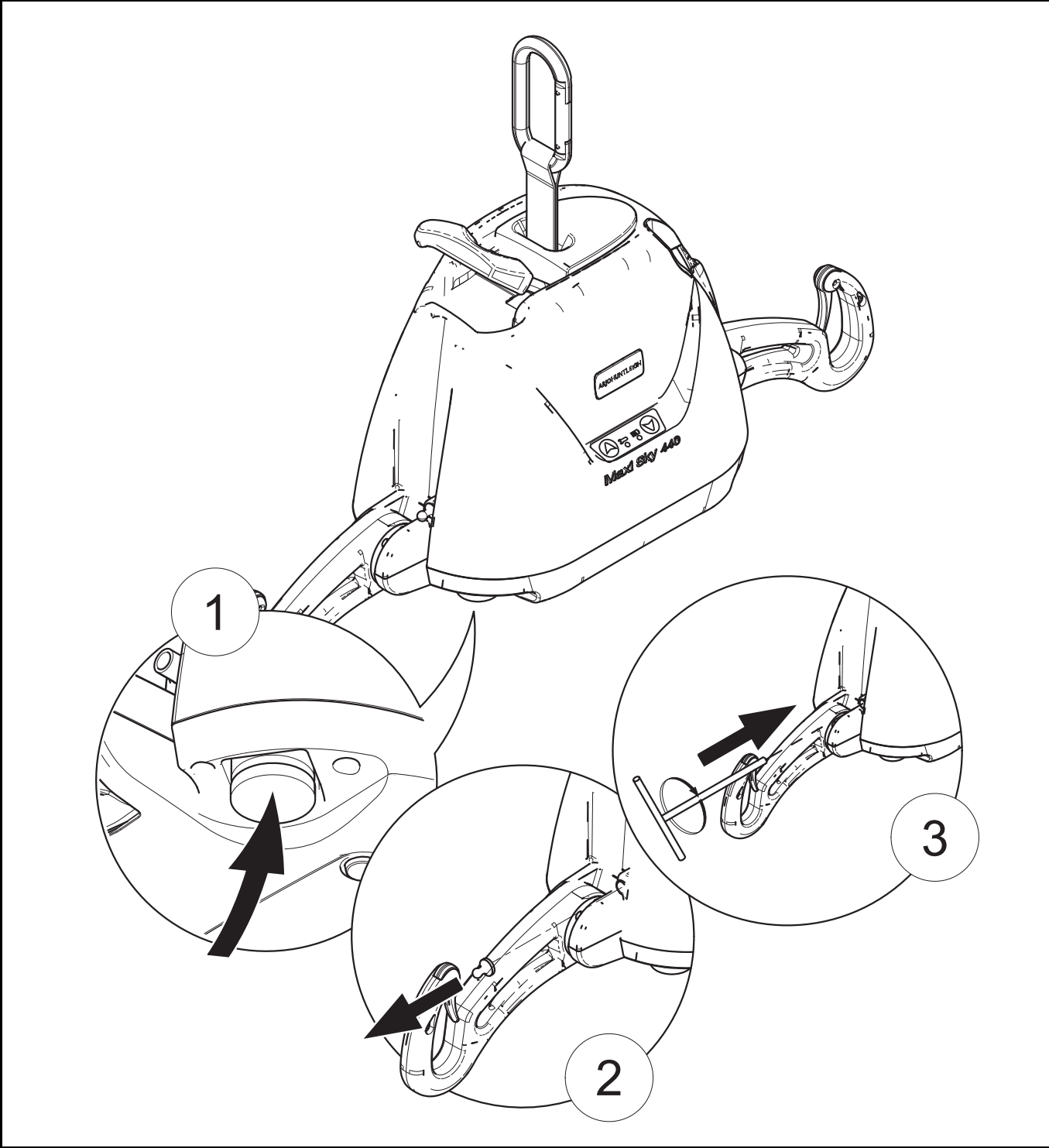


Fig. 14

How to Use the Maxi Sky 440

Battery Information

For safe handling and to extend the battery lifetime, please follow and remember these instructions.

WARNING: Not following these instructions can result in a short battery life.

Only use batteries designed and labelled for use with the device. When not sure, do not use the battery. Make sure the battery belongs to the device by comparing the battery label with the technical specifications in this manual. If battery type cannot be confirmed, call your ArjoHuntleigh agent.

Battery life depends on many factors. These are: frequency of use, frequency of charging, temperature of operation, storage and storage time.

Using lead-acid batteries below a 20% charge can damage the battery resulting in shorter battery life.

Make sure to have a replacement battery ready when needed. Have the facility department keep one in stock.

The batteries included in the *Maxi Sky 440* provide 10 to 30 transfers per battery charge.

NOTE: To prolong battery life, plug the charger to the lift's DC charger inlet whenever the portable lift is not in use. If the low battery indicator beeps, make sure to recharge the batteries as soon as possible. Charge the batteries until the charging indicator light is a solid yellow before using the lift again. This will extend their life.

NOTE: ArjoHuntleigh uses sealed lead-acid batteries. These ones are not affected by any memory effect. Therefore, they should not be completely drained before recharging.

Charging the Batteries

WARNING: Do not operate the charger with a damaged cord or if the lift has been dropped or damaged. Do not bend the power cord by force, or place a heavy object on it. These could damage the cord and may cause fire or electrical shock.

The steps for recharging the batteries are as follows:

- 1) Plug the charger into a wall socket compatible with universal voltage input from 100 Vac to 240 Vac.
- 2) Plug the charger's DC connector to *Maxi Sky 440* DC inlet.
- 3) The charge indicator blinks yellow while the battery is charging. When batteries are fully charged, the charge indicator will turn solid. The unit is ready to use (see Fig. 5 on page page 12) .
- 4) If the battery is low, it will take approximately 2 hours for a full charge.

NOTE: The lift cannot use energy from the charger to operate. If you try to activate any function of the lift when plugged to charger, no command will be activated.

When you need the lift again, unplug the charger.

The charger can remain plugged to the lift indefinitely, which is convenient for overnight charging. The lift can be charged for an extended period of time without damaging either the charger or the batteries.

If the batteries have been completely drained it could take up to 6-8 hours to completely recharge them. In order to reduce the charging time, refrain from completely draining the batteries and leave the portable lift connected to the charger between uses.

NOTE: If the charge indicator does not go on or blink when the charger is plugged to the lift's DC charger inlet, see the "Troubleshooting" section.

CAUTION: Do not attempt to use a battery that was not supplied by ArjoHuntleigh. These batteries are specially designed for ArjoHuntleigh charging systems. Attempting to use an unapproved battery may seriously damage the lift and/or the charger.

How to Use the Maxi Sky 440

CAUTION: The lift should not remain stored for long periods of time without charging the batteries. Batteries should be recharged at least every 2 weeks to maximize their life span.

Pass-Through Hook

The “pass-through hook” feature is an ergonomic handle used to transport the lift. It is a practical way to transfer a patient from one rail to another without removing the lift or the patient.

Before Transferring the Lift

An extension strap is required to perform the lift transfer from one rail to another. This strap must measure twice the length (L) separating the 2 trolleys involved in the transfer (see Fig. 15).

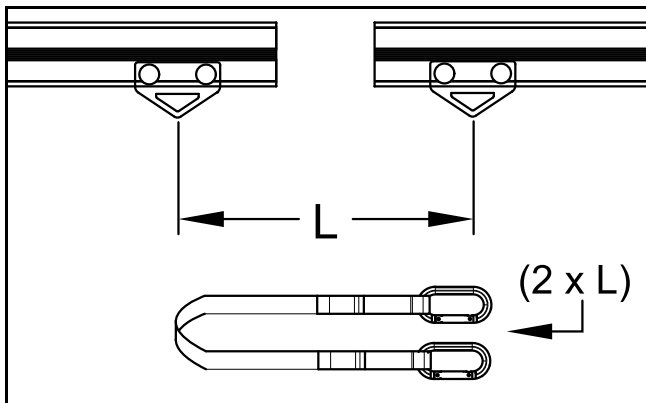


Fig. 15

Before attempting any transfer, make sure that the configuration of the rails is acceptable.

Acceptable Rail Configurations

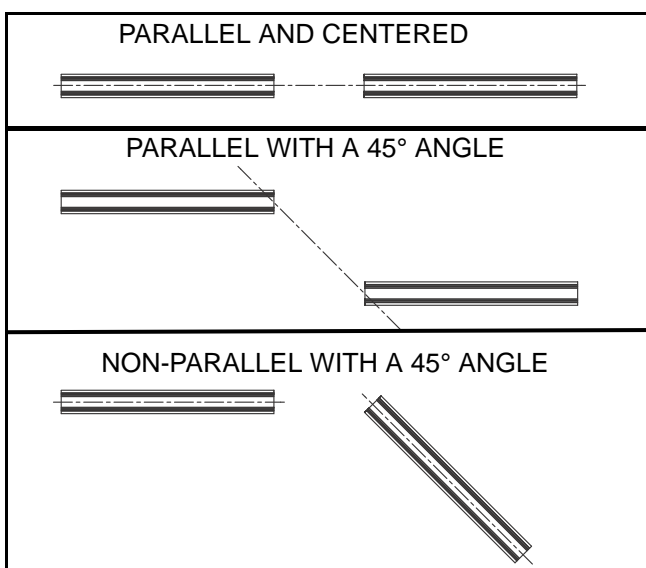


Fig. 16

Unacceptable Rail Configurations

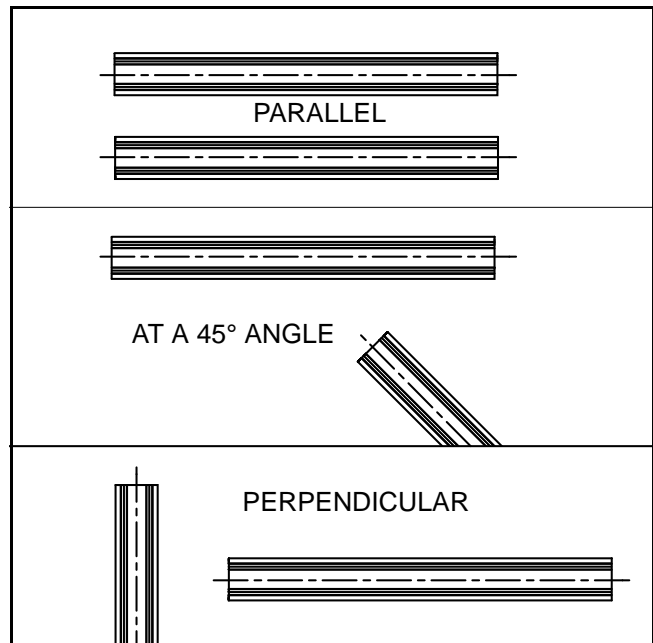


Fig. 17

If any of the diagrams under the “Unacceptable Rail Configurations” subheading represent your current installation, DO NOT attempt the pass-through manoeuvre. Failure to comply to these warnings could result in serious injury or damage to the product.

WARNING: Do not attempt to use the pass-through hook on any X-Y rail.

Pass-Through Procedure

- 1) Bring the unit to the end of the rail. Bring the other trolley to the end of the rail to which the lift will be transferred (see Fig. 18).

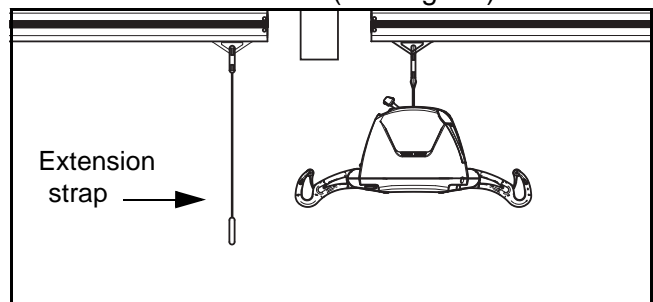


Fig. 18

How to Use the Maxi Sky 440

- 2) Hook the extension strap on the second trolley and then on the pass-through hook (see Fig. 19).

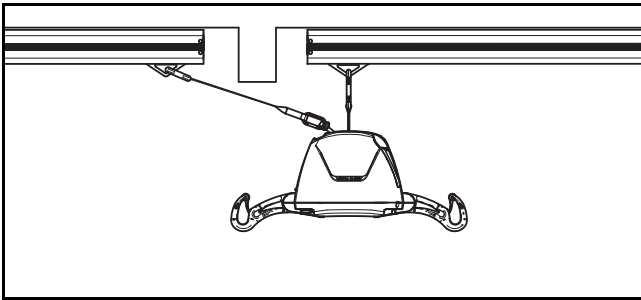


Fig. 19

- 3) Press the DOWN button on your hand control. This will pull slowly the unit and the patient towards your second point of transfer (see Fig. 20).

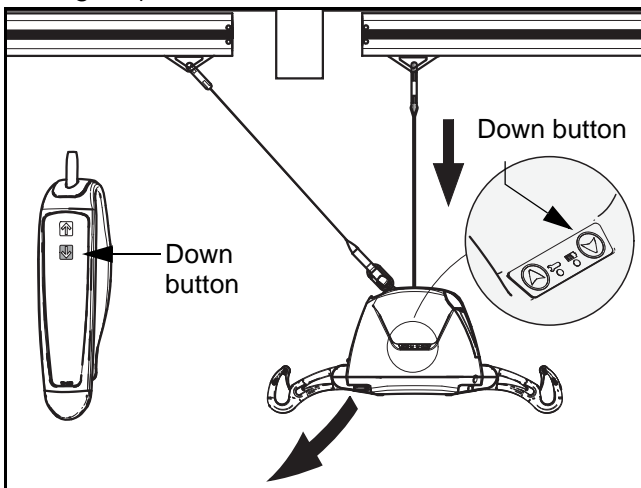


Fig. 20

- 4) Do not stop until the lift has completely transferred beneath the trolley on the other rail. Make sure that the extension strap is completely tightened before unhooking the lift from the first trolley. (see Fig. 21).

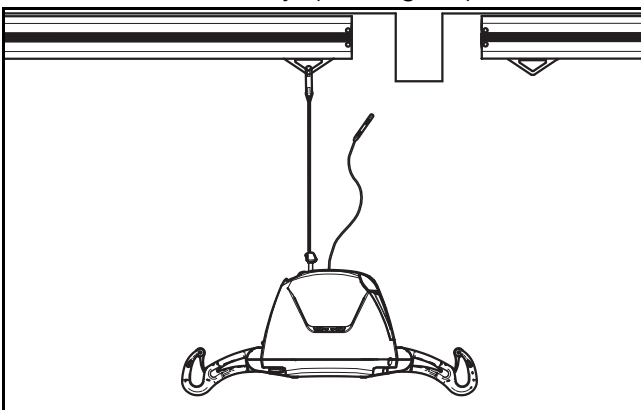


Fig. 21

- 5) Hook the portable lift's carabiner to the second trolley. Press the UP button on the hand control until the extension strap become slack, and the patient is at a comfortable height (see Fig. 22).

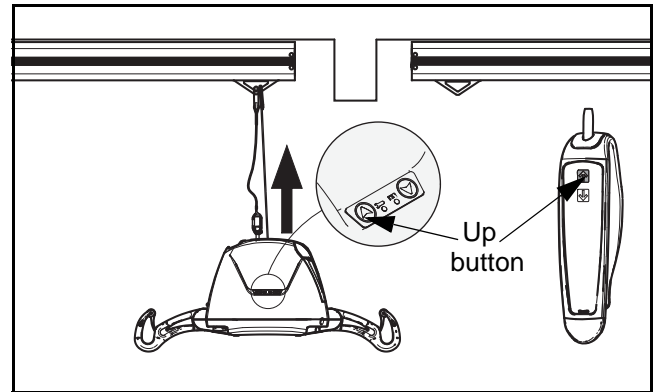


Fig. 22

Unhook the extension strap and fold the pass-through hook back in place. You can then move the patient through the second rail.

Care and Maintenance

Preventive Maintenance Schedule

The equipment is subjected to wear and tear, and the following maintenance instructions must be acted upon when specified to ensure that it remains within its original manufacturing specifications. Care and maintenance must be carried out in accordance with the preventive maintenance schedule below.

Customer obligations must be carried out by qualified personnel in accordance with the instructions in this manual.

WARNING: The maintenance described in the following checklist is the minimum that the manufacturer recommends. In some cases more frequent inspections should be carried out. Continuing to use this equipment without conducting regular inspections or when a fault is found will seriously compromise the safety of the user and of the patient. Local regulations and standards may be higher than those of the manufacturer. A load test is recommended. Service and preventative maintenance can be arranged with the manufacturer. Preventive maintenance specified in this manual can prevent accidents and reduce repair costs.

WARNING: Safety related maintenance and authorized service must be carried out by qualified personnel, fully trained in servicing procedures by ArjoHuntleigh, and equipped with correct tools and proper documentation, including Parts List and Service Manual. Failure to meet these requirements could result in injuries and/or unsafe equipment.

User Inspections

Action/check	Initially	Before every use	Every 2 months	Every 4 months	Every year	Every 2 years
Lift device						
Inspect for missing hardware or broken enclosure.	X	X			X	
Inspect strap for wear.		X	X			
Inspect if pass-through hook has any damage (seems loose or you notice cracks).		X				
Recharging batteries.		X				
Inspect the folding sling supports on the strap of the lift for damage or cracks.					X	
Inspect wheels in rail for damage, rust or cracks. Replace if damaged.					X	
Clean the rail.				X		
Overall inspection by authorized personnel.					X	
Sling and hardware						
Check all sling attachments for sign of wear.		X				
Inspect sling material for wear or deterioration.		X				
Inspect sling straps for wear.		X				
Inspect for any defects or loose threads in the "stitched areas".		X				
Clean sling as indicated on the tag.	When necessary.					
Verify emergency stop button.				X		
Verify emergency lowering device.				X		

Care and Maintenance

Inspections by an Authorized Service Technician

Action/check	Initially	Before every use	Every 2 months	Every 4 months	Every year	Every 2 years
Replace strap.						X
Inspect the welding aspect on the frame to detect cracks.					X	
Inspect transmission.					X	
Inspect connecting joints for proper attachment.					X	
Verify that the emergency brake on the drum is turning freely.					X	
Verify emergency devices for good functioning.					X	
Load test with SWL (maximum working capacity).					X	

WARNING: Always reinstall the rail end stoppers (if removed) after servicing. These stoppers are part of safety feature. Not having them in place can cause the trolley to fall off the rail and a patient fall.

WARNING: Make sure the trolley is compatible with the stoppers and rail system.

Care and Maintenance

Daily Checklist

The following procedures must be followed before each use:

- Charge the batteries. Connect the lift to the charger whenever the lift is not in use.
- Inspect the lift for any damage. If the lift casing does not look properly aligned, or there are any cracks or other damage on the lift, or there are parts missing, DO NOT USE IT. Contact your ArjoHuntleigh agent to have the lift serviced.
- Inspect the strap for any visible signs of wear, frays, loose threads or other damage (see). If there is any evidence of damage, DO NOT USE IT. Contact your local ArjoHuntleigh agent to have the lift serviced.
- Inspect the sling for tears, frayed straps or loose stitching. If the sling has any of the above damage, DO NOT USE IT. Contact your local ArjoHuntleigh agent to have the sling replaced or repaired.
- Inspect the folding supports for any signs of cracking or damage. Inspect the carabiner at the top of the strap to ensure that it is properly attached.

Cleaning

Removing visible residues:

- 1) Use a cloth soaked with water.
- 2) Remove visible residues located on the *Maxi Sky 440*. Start from top and move downwards.

Cleaning:

- 1) To clean the *Maxi Sky 440*, spread cleaning fluid (water and disinfectant cleaner) on the product, and use a brush (to remove any deposits).
- 2) Use a clean damp cloth with clear water to wipe off all spots of cleaning fluids.
- 3) If cleaning fluid cannot be removed on some hard-to-access parts, spray water on the affected part and wipe off with disposable towels/cloth. Repeat until all of the cleaning fluid has been removed.
- 4) Repeat steps 1 to 3.
- 5) Let the parts dry.

NOTE: Pay special attention to areas pointed below. These are most likely to enclose germs. Use a smaller brush and/or cotton swab to reach them.

Maxi Sky 440's Special Areas to Clean

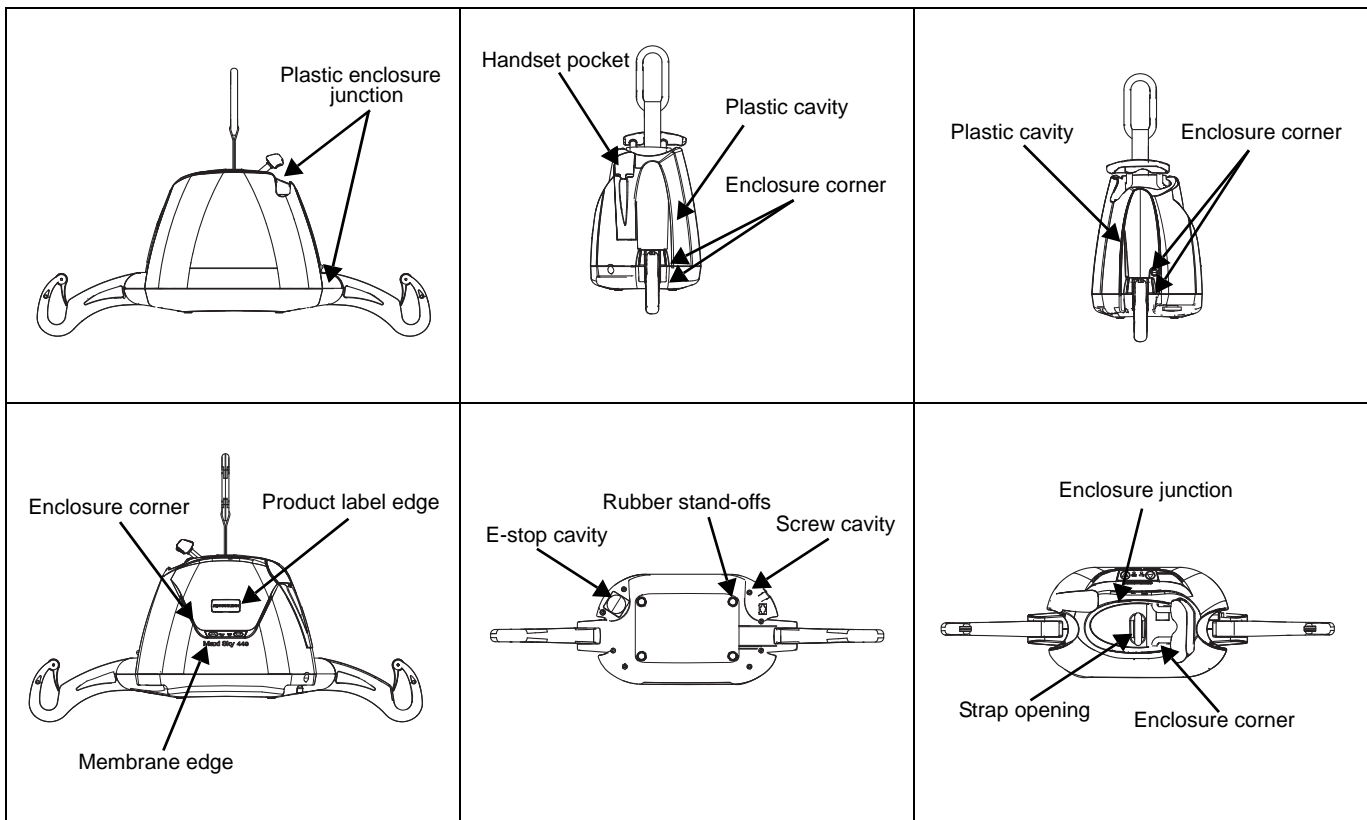


Fig. 23

Care and Maintenance

Disinfectant wipes, supplied already impregnated with a 70% v/v solution of isopropyl alcohol, can also be used.

Rub the lift vigorously when using the wipes, to promote an effective disinfection of its entire surface. Do not use phenol, chlorine or any other type of solvent that may damage the finish.

NOTE: The lift and the sling should be cleaned between use of different patients and/or when suspected to be contaminated.

CAUTION: Do not splash, drench or immerse the unit in water. The lift is an electrical device and water could damage your unit.

To ensure a better rolling surface for the trolley wheels, clean the inside of the rail every 4 months. To do so, insert a damp cloth in the opening and slide it from one end of the rail to the other.

Strap Inspection

If the strap is damaged or shows signs of wear or discoloration, the acceptable load on the strap before rupture can drop rapidly and present a danger for the patient or caregiver. ArjoHuntleigh recommends a thorough inspection of the straps every 2 months as follows:

- 1) Completely unwind the strap.
- 2) Look for any signs of wear or discoloration (see below).

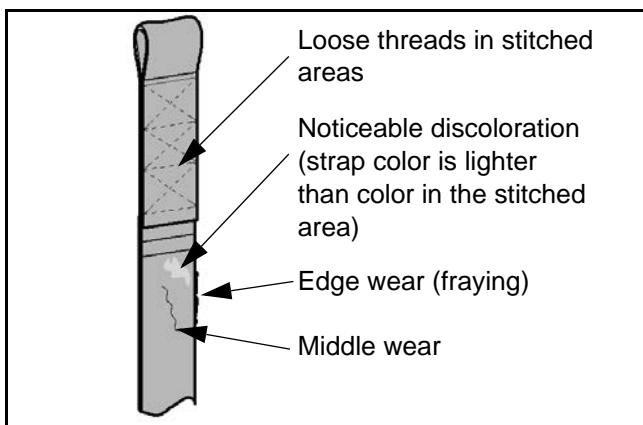


Fig. 24

WARNING: If there is any sign of wear as indicated above or any other visual defects, the strap must be inspected by qualified personnel and changed if required.

The manufacturer recommends changing the strap at least every 2 years or every 2850 cycles—which ever comes first.

By continuing to use the lift without changing a damaged strap, the safety of the caregiver or patient is greatly compromised.

Handling and Storage

Avoid violent impacts while transporting the lift.

The lift should not remain stored for long periods of time without recharging the batteries.

NOTE: Even if the lift is not used, ArjoHuntleigh recommends charging the batteries at least every 2 weeks. This will prevent premature aging of batteries.

If you store or ship the *Maxi Sky 440*, ensure that the power is turned off (emergency button pushed in) beforehand.

Battery Replacement

Replace the batteries when there is a noticeable reduction in the number of transfers that can be done between charges. If you hear the *Maxi Sky 440* beeping and notice a red light flashing, see the instructions in the “Troubleshooting” section to determine if there is a problem with the batteries.

For battery replacement, contact your local ArjoHuntleigh agent.

CAUTION: Do not attempt to use batteries that were not supplied by ArjoHuntleigh. These batteries are specially designed for ArjoHuntleigh charging systems. Attempting to use unapproved batteries may seriously damage the lift and/or the charger.

Verification of the Charger’s Power Source

If the light does not illuminate when there are batteries correctly installed in the *Maxi Sky 440*, try the following:

- 1) Make sure that the charger is correctly plugged into the AC outlet.

Care and Maintenance

- 2) Make sure that the charger connector is properly connected to the unit.
- 3) Check the power of the AC outlet on the wall.
- 4) If the charger indicator (yellow) does not light up, contact your local ArjoHuntleigh agent for assistance.

Sling Inspection and Care

See the documentation that comes with the sling.

Annual Inspection

The *Maxi Sky 440* must be inspected annually by a qualified technician.

WARNING: The *Maxi Sky 440* and accessories must be serviced every 12 months as a minimum requirement. Moving parts can be affected by wear. Not servicing the product may lead to patient fall, causing injuries. Do not attempt to do the inspection.

Maintenance Requirements

The *Maxi Sky 440* is equipped with an electronic monitor that causes a red light to flash when a maintenance inspection is necessary. Arranging for scheduled inspections ensures the durability of the unit and the security of both patient and user.

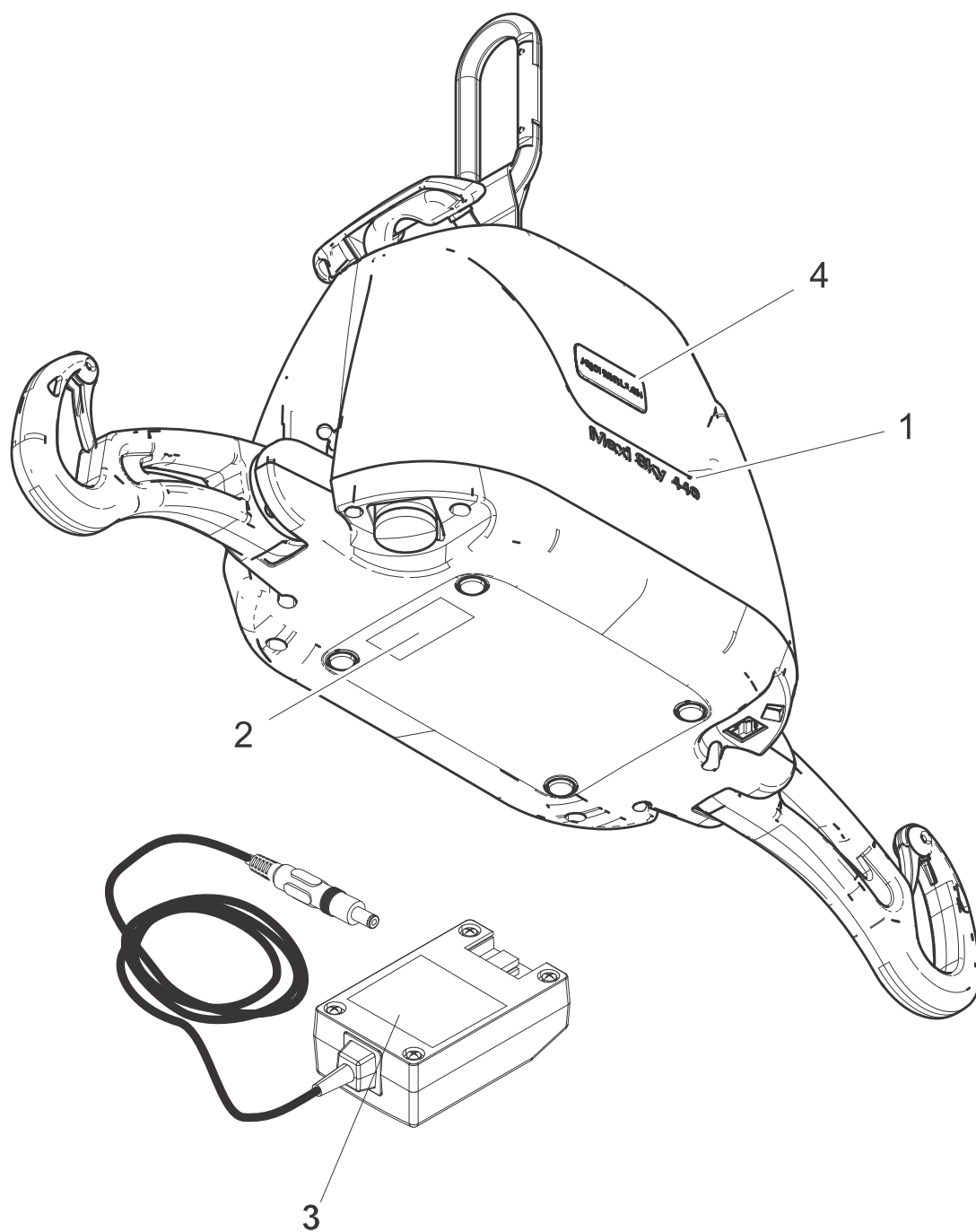
Once that red light begins to flash, please contact your local ArjoHuntleigh agent in order to perform the necessary maintenance inspection.

Troubleshooting

WARNING: Do not attempt to open the *Maxi Sky 440* portable lift cassette. Only a qualified technician is authorized to open it. Alterations made to the portable lift by someone other than a qualified technician may cause serious injury.

Problem	To check
The red “service” light is on and flashing.	<ul style="list-style-type: none"> Contact your local ArjoHuntleigh agent for maintenance.
The unit starts and stops repetitively.	<ul style="list-style-type: none"> If the load is greater than the unit’s safe working load, it will not function due to an overload protection on the motor. Batteries are low and need to be changed. Contact your local ArjoHuntleigh agent.
The lift emits a “beep” during use. The unit may stop lifting the patient but can still lower the patient.	<ul style="list-style-type: none"> Batteries are low and need to be recharged.
Charger indicator on the lift (yellow) does not light up when the charger is connected to the lift.	<ul style="list-style-type: none"> Check that the charger is plugged into a standard electrical outlet, and that the outlet has power.
The lift does not work when you press the buttons on the hand control.	<ul style="list-style-type: none"> If the emergency stop is activated, gently release the emergency button. Check if the buttons on the lift are working. If they are working, the problem may come from the hand control. If they are not working, check the charge on the lift. Check to see if the hand control is plugged in properly into the lift. The hand control may be slightly pulled out from its socket and yet appear as though it is plugged in. Check the connection. If, after testing all of the above, the lift will not operate, contact your ArjoHuntleigh agent.

Labels on the Lift



- 1) Product name
- 2) Serial number label
- 3) Charger information
- 4) Logo sticker

Fig. 25

Technical Specifications

PRODUCT INFORMATION

Weight, complete	6.5 kg (14.3 lb)
Lifting capacity (SWL)	200 kg (440 lb)
Strap length	2200 mm (88 in)
Lifting speed	4.3 cm/s (1.7 in/s)
Operating Force of Control	< 5 N (Installed unit)

ELECTRICAL

Duty cycle	Max 10%, 6 min/hr, (max. 1 min. continuous)
Rating	24 VDC, 10 A max.
Noise level for either raising or lowering, with or without load	54 dBAm _{ax} .
Medical equipment	Type BF protection against electrical shock in accordance with IEC 60601-1

The Maxi Sky 440 is compliant with CAN/CSA C22.2 No. 601.1 (SUP1+AM2), UL 60601-1, CAN/CSA-C22.2 No. 60601-1-08 and ANSI/AAMI ES60601-1:2005. The Maxi Sky 440 is designed according to ISO10535: 2006.

WARNING: Wireless communications equipment such as wireless home network devices, mobile phones, cordless telephones and their base stations, walkie-talkies, etc., can affect the Maxi Sky 440 and should be kept at least 2.34 m away from it. Cables from potentially strong sources of electromagnetic fields should not be placed near the unit. See “Electromagnetic Compatibility” section for more details.

BATTERIES AND CHARGER UNIT

Batteries	Qty: 2 x rechargeable 12 VDC, 2.3 Ah
Battery capacity	Provides up to 30 transfers with a load of 80 kg (176 lb)
Degree of protection - Hand Control	IPX7
Degree of protection - Maxi Sky 440	IP21
Lift - protection class - shock prevention	Internally powered equipment
Battery Charger input	100-240 VAC, 50-60 Hz, 50 VA
Battery Charger output	24 VDC, 24 VA, 28.1 Vdc, 1 A
Battery Charger safety protection	Class 2, double insulated

OPERATION CONDITIONS

Ambient temperature range	+5 °C to +40 °C (+41 °F to +104 °F)
Relative humidity range	15 % to 93 %, non-condensing
Atmospheric pressure range	700 hPa to 1060 hPa (max. 2000 m)

STORAGE CONDITIONS

Ambient temperature range	-25 °C to +70 °C (-13 °F to +158 °F)
Relative humidity range	Up to 93 %, non-condensing
Atmospheric pressure range	500 hPa to 1060 hPa

WARNING: This equipment is not suitable in the presence of flammable anesthetic mixtures with air or oxygen, or with nitrous oxide. Using the Maxi Sky 440 in this environment might lead to an explosion. The lift might create some spark internally and ignite the gaz.

RECYCLING

Battery	Sealed lead-acid, rechargeable, recyclable
Package	Cardboard recyclable
The lift	Separated and recycled, according to the European Directive 2002/96/EG (WEEE).

Technical Specifications

Lift Dimensions

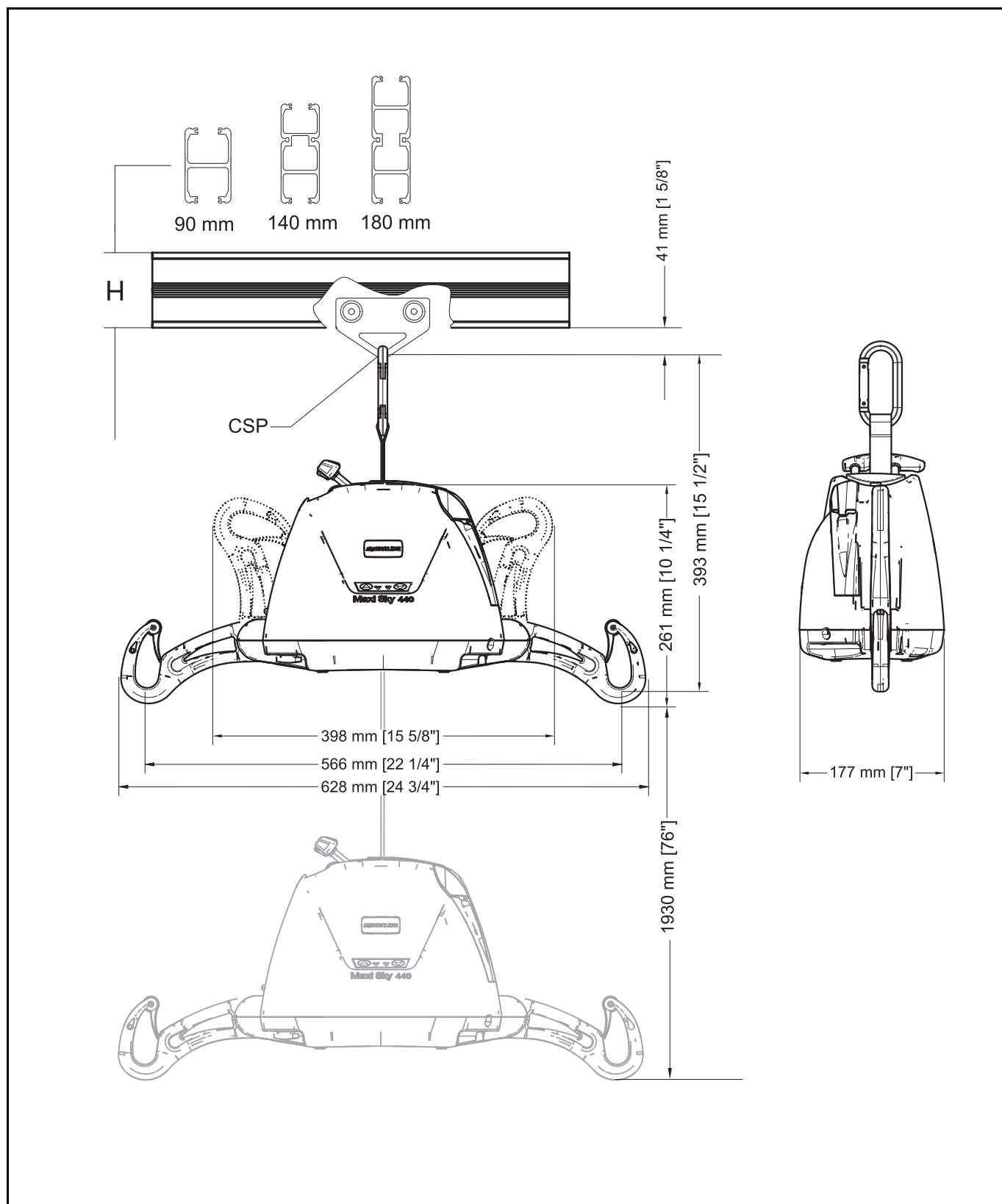


Fig. 26

WARNING: Refer to the addendum provided with the adapted trolley for rail systems other than *KWIKtrak*.

Electromagnetic Compatibility

Electromagnetic Compliance

The Maxi Sky 440 has been tested for compliance with current regulatory standards regarding its capacity to block EMI (electromagnetic interference) from external sources.

Nonetheless, some procedures can help reduce electromagnetic interferences:

- Use only ArjoHuntleigh cables and spare parts to avoid increased emissions or decreased immunity which can compromise the correct functioning of the equipment.
- Ensure that other devices in patient-monitoring and/or life-support areas comply to accepted emissions standards.
- Maximize the distance between electro-medical devices. High-powered devices may produce EMI that can affect the ceiling lift. Refer to separation distance table further on in this document.

For more information on how to manage the unit's RF electromagnetic environment, please consult the *AMI TIR 18-1997 - Guidance on Electromagnetic Compatibility of Medical Devices for Clinical/Biomedical Engineers*.

Electromagnetic Emissions

Guidance and Manufacturer's Declaration - Electromagnetic Emissions - For all Equipment and Systems		
The Maxi Sky 440 is intended for use in the electromagnetic environment indicated below. The customer or the user of the Maxi Sky 440 should assure that it is used in such an environment.		
Emissions test	Compliance	Electromagnetic environment - guidance
RF emissions CISPR 11	Group 1	The Maxi Sky 440 is suitable for use in all establishments, including domestic establishments and those directly connected to the public low-voltage power supply network that supplies buildings used for domestic purposes.
RF emissions CISPR 11	Class B	
Harmonic emissions IEC 61000-3-2	Not applicable	
Voltage fluctuations/flicker emissions IEC 61000-3-3	Not applicable	


Electromagnetic Compatibility

Electromagnetic Immunity

Guidance and Manufacturer's Declaration - Electromagnetic Immunity - For all Equipment and Systems			
The Maxi Sky 440 is intended for use in electromagnetic environment specified below. The customer or the user of the Maxi Sky 440 should assure that it is used in such an environment.			
Immunity test	IEC 60601 test level	Compliance level	Electromagnetic environment - guidance
Electrostatic discharge (ESD) IEC 61000-4-2	±6 kV contact ±8 kV air	±6 kV contact ±8 kV air	Floors should be wood, concrete or ceramic tile. If floors are covered with synthetic material, the relative humidity should be at least 30%.
Electrical fast transient/burst IEC 61000-4-4	±2 kV for power supply lines ±1 kV for input/output lines	±2 kV for power supply lines ±1 kV for input/output lines	Mains power quality should be that of a typical commercial or hospital environment.
Surge IEC 61000-4-5	±1 kV differential mode ±2 kV for common mode	±1 kV differential mode ±2 kV for common mode	Mains power quality should be that of a typical commercial or hospital environment.
Voltage dips, short interruptions and voltage variations on power supply input lines IEC 61000-4-11	<5% <i>UT</i> (>95% dip in <i>UT</i>) for 0.5 cycle 40% <i>UT</i> (60% dip in <i>UT</i>) for 5 cycles 70% <i>UT</i> (30% dip in <i>UT</i>) for 25 cycles <5% <i>UT</i> (>95% dip in <i>UT</i>) for 5 sec.	<5% <i>UT</i> (>95% dip in <i>UT</i>) for 0.5 cycle 40% <i>UT</i> (60% dip in <i>UT</i>) for 5 cycles 70% <i>UT</i> (30% dip in <i>UT</i>) for 25 cycles <5% <i>UT</i> (>95% dip in <i>UT</i>) for 5 sec.	Mains power quality should be that of a typical commercial or hospital environment.
Power frequency (50/60 Hz) magnetic field IEC 61000-4-8	3 A/m	3 A/m	Power frequency magnetic fields should be at levels characteristic of a typical location in a typical commercial or hospital environment.
NOTE: <i>UT</i> is the AC mains voltage prior to application of the test level.			

Electromagnetic Compatibility

(continued)

Guidance and Manufacturer's Declaration - Electromagnetic Immunity - For Equipment and Systems that are Not Life-Supporting			
Immunity test	IEC 60601 test level	Compliance level	Electromagnetic environment - guidance
Conducted RF IEC 61000-4-6	3 Vrms 150 kHz to 80 Mhz	3 Vrms 150 kHz to 80 Mhz	<p>Portable and mobile RF communications equipment should be used no closer to any part of the Maxi Sky 440, including cables, than the recommended separation distance calculated from the equation applicable to the frequency of the transmitter.</p> <p>Recommended separation distance</p> $d = \left[\frac{3,5}{3} \right] \sqrt{P}$ $d = \left[\frac{3,5}{10} \right] \sqrt{P} \quad \text{80 MHz to 800 MHz}$
Radiated RF IEC 61000-4-3	10 V/m 80 MHz to 2.5 GHz	10 V/m 80 MHz to 2.5 GHz	$d = \left[\frac{7}{10} \right] \sqrt{P} \quad \text{800 MHz to 2.5 GHz}$ <p>where P is the maximum output power rating of the transmitter in watts (W) according to the transmitter manufacturer and d is the recommended separation distance in meters.</p> <p>Field strengths from fixed RF transmitters, as determined by an electromagnetic site survey, ^(a) should be less than the compliance level in each frequency range. ^(b)</p> <p>Interference may occur in the vicinity of equipment marked with the following symbol:</p> 
NOTE 1: At 80 MHz and 800 MHz, the higher frequency range applies.			
NOTE 2: These guidelines may not apply in all situations. Electromagnetic propagation is affected by absorption and reflection from structures, objects and people.			
(a) Field strengths from fixed transmitters, such as base stations for radio (cellular/cordless) telephones and land mobile radios, amateur radio, AM and FM radio broadcast and TV broadcast cannot be predicted theoretically with accuracy. To assess the electromagnetic environment due to fixed RF transmitters, an electromagnetic site survey should be considered. If the measured field strength in the location in which the Maxi Sky 440 is used exceeds the applicable RF compliance level above, the Maxi Sky 440 should be observed to verify normal operation. If abnormal performance is observed, additional measures may be necessary, such as reorienting or relocating the Maxi Sky 440.			
(b) Over the frequency range 150 kHz to 80 MHz, field strengths should be less than 3 V/m.			

Electromagnetic Compatibility

(continued)

Recommended Separation Distance Between - Portable and Mobile RF Communications Equipment and the Maxi Sky 440 for Equipment and Systems that are not Life-Supporting			
Recommended separation distances between portable and mobile RF communications equipment and the Maxi Sky 440.			
The Maxi Sky 440 is intended for use in electromagnetic environment in which radiated RF disturbances are controlled. The customer or the user of the Maxi Sky 440 can help prevent electromagnetic interference by maintaining a minimum distance between portable and mobile RF communication equipment (transmitters) and the Maxi Sky 440 as recommended below, according to the maximum output power of the communications equipment.			
Rated maximum output power of transmitter W	Separation distances according to frequency of transmitter m		
	150 kHz to 80 MHz	80 MHz to 800 MHz	800 MHz to 2.5 GHz
	$d = \left[\frac{3,5}{3} \right] \sqrt{P}$	$d = \left[\frac{3,5}{10} \right] \sqrt{P}$	$d = \left[\frac{7}{10} \right] \sqrt{P}$
0.01	0.12	0.12	0.24
0.1	0.37	0.37	0.74
1	1.17	1.17	2.34
10	3.69	3.69	7.38
100	11.67	11.67	23.34
For transmitters rated at a maximum output power not listed above, the recommended separation distance d in metres (m) can be estimated using the equation applicable to the frequency of the transmitter, where P is the maximum output power rating of the transmitter in watts (W) according to the transmitter manufacturer.			
NOTE 1: At 80 MHz and 800 MHz, the separation distance for the higher frequency range applies.			
NOTE 2: These guidelines may not apply in all situations. Electromagnetic propagation is affected by absorption and reflection from structures, objects and people.			

ARJOHUNTLEIGH

GETINGE GROUP

GETINGE GROUP is a leading global provider of products and systems that contribute to quality enhancement and cost efficiency within healthcare and life sciences. We operate under the three brands of **ArjoHuntleigh**, **GETINGE** and **MAQUET**. **ArjoHuntleigh** focuses on patient mobility and wound management solutions. **GETINGE** provides solutions for infection control within healthcare and contamination prevention within life sciences. **MAQUET** specializes in solutions, therapies and products for surgical interventions and intensive care.



ArjoHuntleigh AB
Hans Michelsensgatan 10
211 20 Malmö
SWEDEN

