

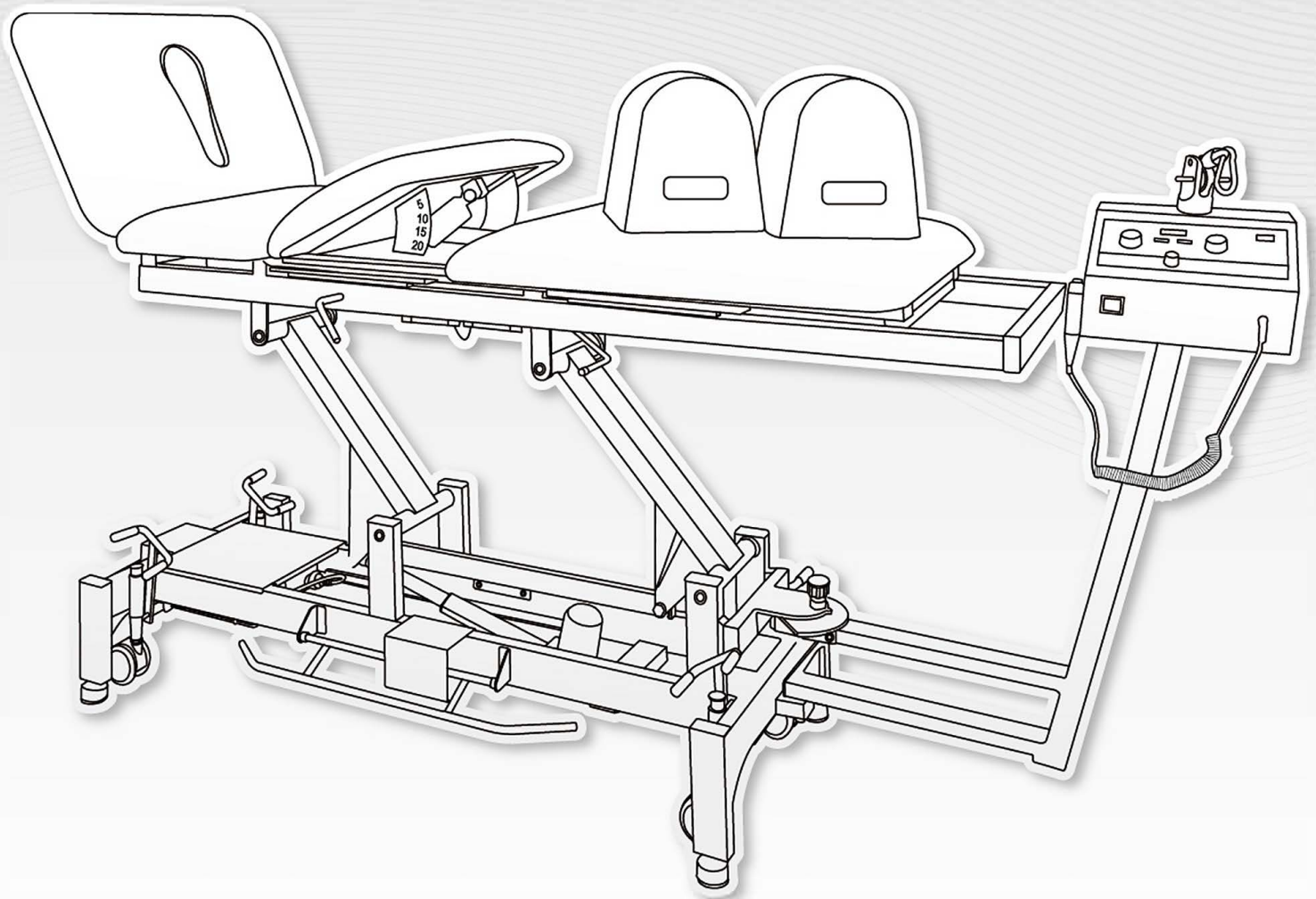


BAL2050

AGILITY

Traction Table 4 Section (Electric)

Operation + Service Manual



Contents

Warnings, Cautions, Labelling & Graphical Symbols	01
Graphical Symbol Definition & Safety Instructions	02
Before Use	03
1. Motorized Action (Up / Down)	
2. Moving & Leveling	04
3. Installation of Traction Swivel Arm	05
4. Adjusting the Swivel Arm	
5. (a+b) Thoracic Traction Belt Setup & Installation	06 + 07
6. Lumbar Traction Belt Setup & Installation	08
7. Strapping Up Thoracic Traction Belt	09
8 (a). Strapping Up Lumbar Traction Be	09
8 (b). Strapping Up Lumbar Traction Belt	10
9 (a). Getting Ready	11
9 (b). Getting Ready (Adjusting (Motorized) Pelvic Lift)	12
9 (c). Getting Ready (Final)	12
10. Adjusting Head Section	13
11. Adjusting Foot Section	13
12. Unlocking & Locking the Mid/Leg Sections	14
13. Accessories	14
14. Technical Specifications	15
Trouble Shooting & Regulation Compliance	16
I. Manufacturer's Warranty	
II. Limitations of Liabilities & Disclaimer of Warranties	17
BAL2050 Service Manual	18
Dismantling a Gas Strut	19
Installing a Gas Strut	20 + 21
Replacing an Actuator	21 + 22
BAL2050 Traction Unit Installation	23
Before Installation	
Identifying Mount Holes	24
Mount Traction Unit on Traction Table	25
BAL2050 Cervical Traction Add on Device Setup	26
Main Components of BAL2050 & Main Unit Assembly	27
Mounting on Traction Device	28
Complete Setup	29



Warnings

- Please make certain that Electric Tables are not used in the presence of flammable gases such as anesthetic agent.
- Do not sit on the edge of Head or Foot Section of a couch or table as possible damages to the (1) Gas Struts and/or (2) Gas Strut Handle Bar may occur. Standard Load of a table is rated at which the loading weight is distributed evenly across the working surface but not on a specific area or side of table top.
- It is hazardous to exceed the rated maximum load of a table.
- The operation Electric couch or table requires the Power Cord securely plugged-in to the wall utility power. When the Power Cord is unplugged, it does not operate unless the couch or table is equipped with a backup battery.
- Use only the original accessories that are offered by Stonehaven Medical, Inc. for a table or couch.
- Children **MUST** be refrained from using any tables or couches by means of operating a hand or foot control nor Elevating Bars.



Please be aware of any circumstances which could result in failure or possible damage of the equipment in use.



Cautions

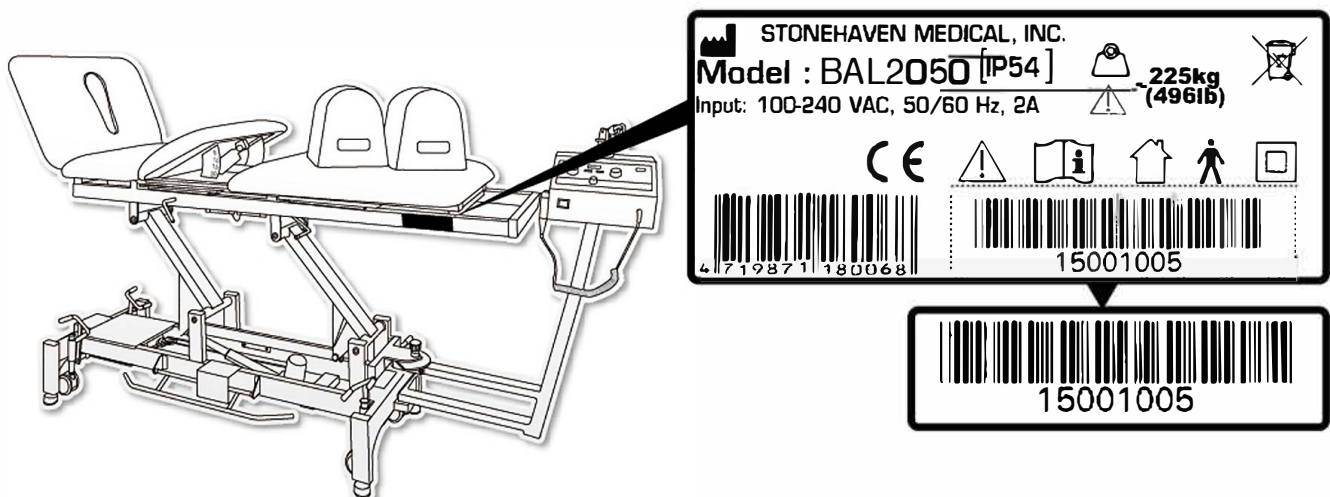
- Before allowing a patient to lay on the couch or table, please ensure that the Leveling Foot at each corner is **LEVELED & RESTING** on the floor securely after the castors are retracted. If not, please adjust the leveling foot accordingly to stabilize the table.
- Check any trapped power cords or cables underneath the couch or table while moving the table.
- Keep any persons' limbs away from all moving parts of a couch or table especially when the table is being moved from one place to another.
- When applying electrotherapy to a patient, please keep his or her body away from any contacts with metal parts of the couch or table.
- Please familiarize yourself with the operation of all various controls of actuator and gas struts to avoid inadvertent actuation of table sections.

Labelling & Graphical Symbols

You can locate three identification labels on the table.

1) First One - Safety Label (CE Label) appears at the upper frame. This is where you can locate the Manufacturer / Serial Number / Model Number / Input Voltage / Max. Operational Load

An Example Safety Label (CE Label) is shown below:




2) *Second One - Control Box Label appears on the Control Box. You can locate the control box at the bottom frame just beneath the head section. On this label, you can locate the Manufacturer of this Control Box / Model Number / Serial Number / Input Voltage / Output Voltage / Duty Cycle / Part Number / Spec code / Caution Marking / Country of Origin.*

TzMOTION Control Box

Model No : TC1-S3NB-2 IP54
 Input : 100-240VAC, 50/60Hz, 2000mA
 Output : 32V ---, 80VA
 Duty cycle : max.10%, 2 min. ON/18 min. OFF

CERTIFIED TO AAMI /CSA/IEC/EN STD
 AAMI ES 60601-1, CSA-C22.2 NO.60601-1,
 IEC 60601-1, EN 60601-1

MADE IN CHINA


Part No. TC1-2188-001
 Spec. code. TC1-4A22-A220-60
 Serial No.  201409263456

Graphical Symbols

IP54 Degree of protection provided by enclosures (IP Code)


 Refer to Instruction Manual (Booklet)

 Class II equipment (Double Insulation)

 CE Marking for Table that complies with CE MDD

 Caution: Read Instruction, Warnings & Cautions

 For Indoor-Use Only

 **WEEE Symbol:** This symbol reflects the European Union Directive on Waste Electrical and Electronic Equipment (WEEE). Under such Directive, this WEEE symbol requires you as end-user to dispose of any WEEE separately by bringing it to your nearest collection facility.

 Safety Logo of the Certified Bodies (ETL, U.S.A)

 Operation Instructions

 Degree of Electrical Protection Type B

 Safe Working Load Symbol

Safety Instructions

- 1 Prior starting to use the table, it is important that you read and understand this manual.
- 2 You may also consult this manual whenever you're in doubt about using the table.
- 3 This devise **MUST BE USED** under the supervision of a licensed practitioner.
- 4 Use only the original accessories that is manufactured by Stonehaven Medical, Inc. for the table.
- 5 **DO NOT USE** the table in "Wet Rooms" - Hydrotherapy Rooms.
- 6 Keep the table away from direct heat and/or fire.

Congratulations on the purchase of Stonehaven Medical, Inc. Tables. Please refer to the instructions provided herein for the full operation and installation (if required) of Stonehaven Tables.

Please read the instructions thoroughly in this user's manual before use. One or some of the following symbols may be used in this user's manual:



Additional Info:

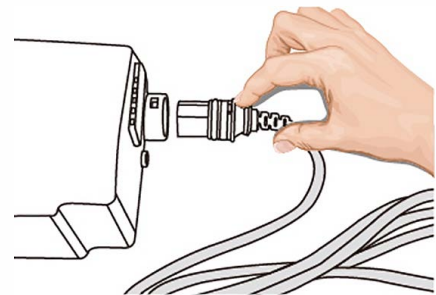
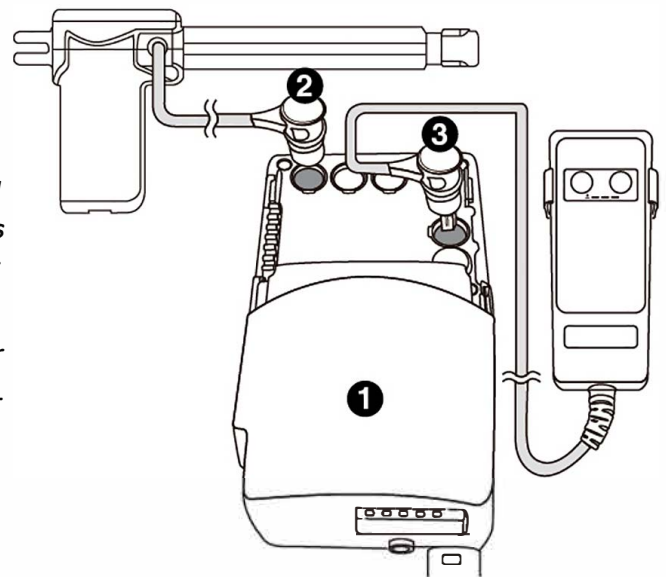
This device may be subject to regulation by the U.S. Food and Drug Administration and state and local regulatory agencies. A prescription may be required for the purchase and use of this item.

Before Use

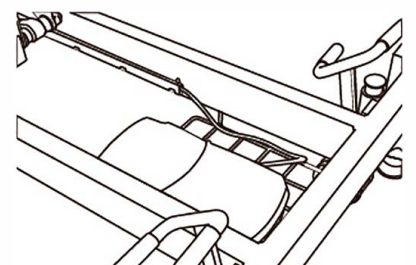
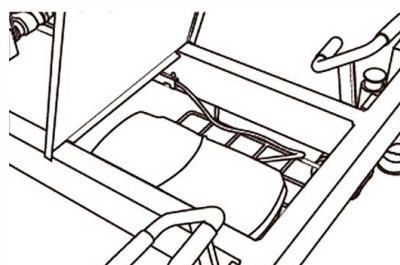
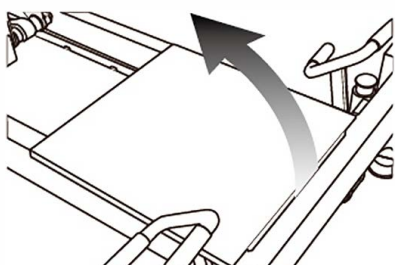
All Stonehaven Medical, Inc. manufactured tables are fully functional straight out of the shipping cartons. The following installation instructions are provided for cleaning or replacement purposes.

- ❶ Control Box
- ❷ Actuator Plug
- ❸ Controller Plug

- Open the controller's socket cover by inserting a flat-headed screw driver to the left-hand side of the cover (this disengages the "childproof" latch) then slide the cover to reveal the socket holes.
- Locate the controller plug socket at the right-bottom corner of the socket panel. (that is the 2nd socket from the bottom.)
- Plug-in the controller's plug into the above mentioned socket
- Your table may be equipped with a Hand Control, Foot Control or Up/Down Bar for controlling Hi/Lo or the movement of a section or multiple sections of the table top(s), there should be only one plug for controller (If you found more than one plug connected to multiple controllers, you will need to connect all of the to an Expansion HUB of (a) 1-to-2 (b) 1-to-3 or (c) 1-to-4
- Plug-in the Power Cable connector to the control box module



- All tables are equipped with a controller module placement tray at the bottom of table frame
- You may lay the controller module flat on the meshed tray and cover it up with the provided metal cover.

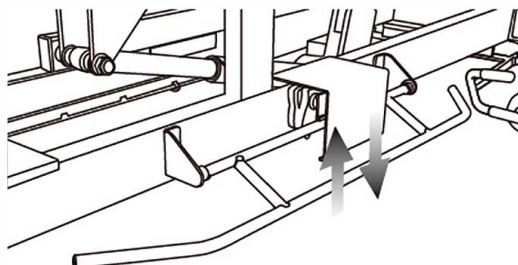
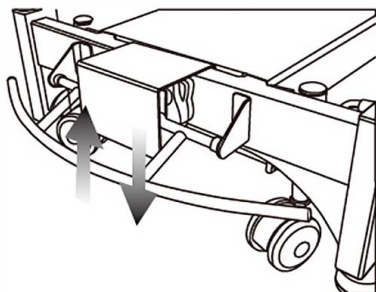


1. Motorized Action - Hi / Lo (Up or Down)

Depending on your order requirement, your traction table may be equipped with a Foot Control, Hand Control or 3 Sides Up/Down Elevating Bar. Before your table is able to be operated and driven by the motorized actuator, the power plug **MUST** first be plugged into the wall power.

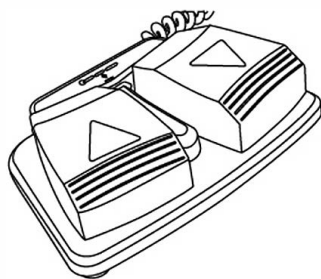
Elevating Bar (2 / 3 / 4 Sides)

- To **LIFT UP** the table top, Step Down on one of the 3 side bars
- To **DROP DOWN** the table top, Hook Up with your foot on one of the 3 side bars



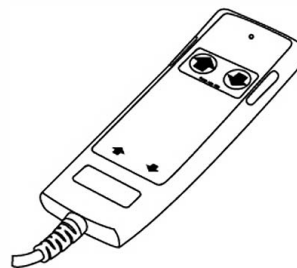
Foot Control

- To **LIFT UP** the table top, Step Down the **LEFT SWITCH (UP)**
- To **DROP DOWN** the table top, Step Down the **RIGHT SWITCH (DOWN)**



Hand Control

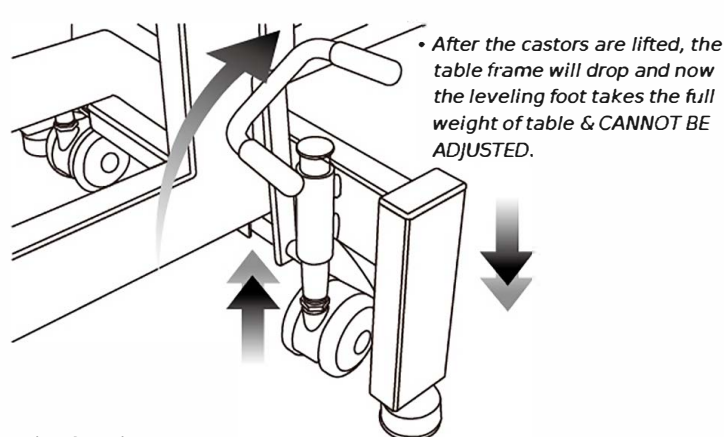
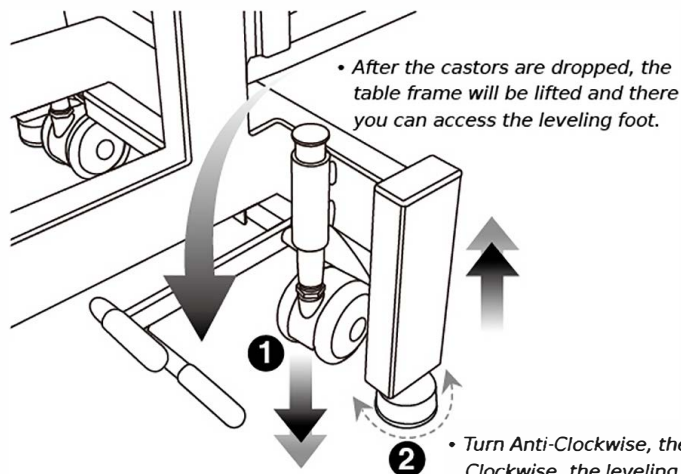
- To **LIFT UP** the table top, Press Down the **LEFT SWITCH (UP)**
- To **DROP DOWN** the table top, Press Down the **RIGHT SWITCH (DOWN)**



2. Moving & Leveling

Your traction table is equipped with Castors. When both ends (Front & Rear) castors are dropped down, the table can be moved around to your desired spot for short or long-term placement.

- To drop down the castors on all 4 corners, **STEP DOWN** the Castor Activation Levers at the front and rear bottom ends of the table.
- Make sure that the Leveling Foot (Round) is screwed all the way up to make clearance for the castors to move properly.
- Once a desired placement of table is found in a room, you may lift up the castors by means of hooking up the castor activation lever with your foot.
- The table has to be **LEVELED** or **STABLIZED** once it is in position. You may level the table by adjusting the Round Leveling Foot underneath each leg.
- Turning **Anti-Clockwise** MOVES the Leveling Foot **UP**
- Turning **Clockwise** MOVES the Leveling Foot **Down**

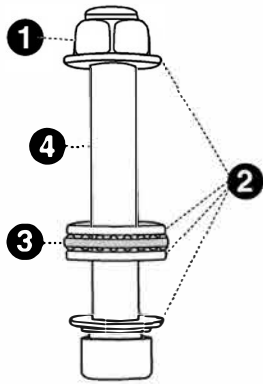


- Turn **Anti-Clockwise**, the leveling foot rises or turn **Clockwise**, the leveling foot drops.

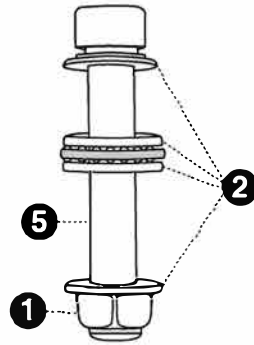
3. Installation of Traction Swivel Arm

To install the Traction Swivel Arm onto the Traction Table, locate the following parts to begin the assembly:

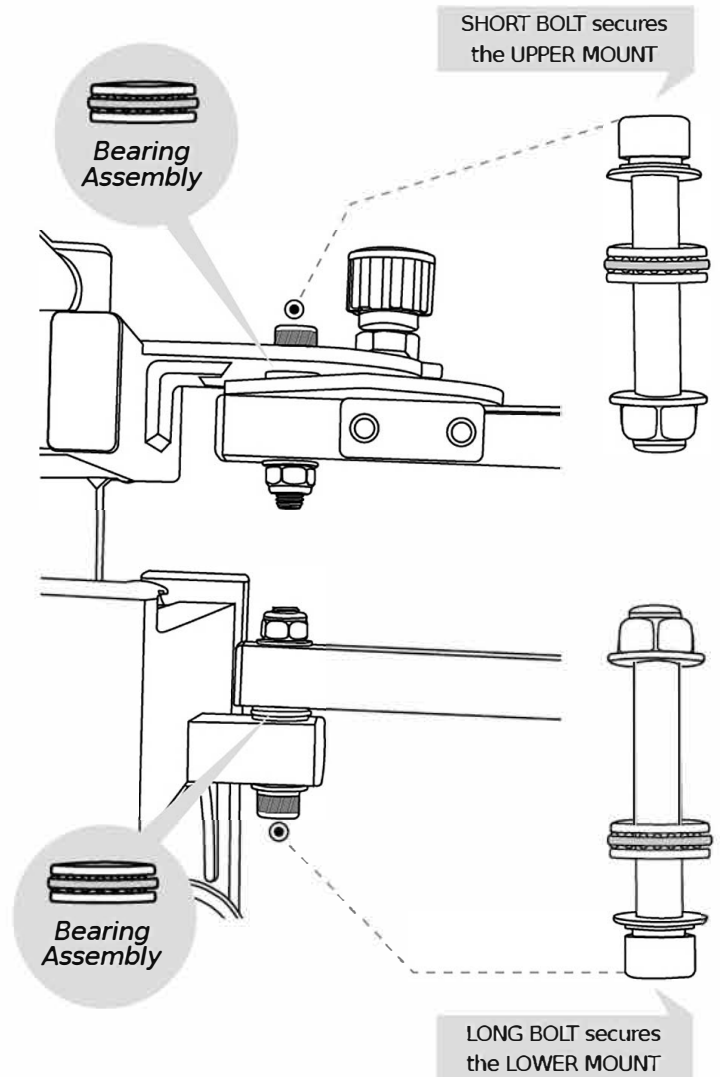
- 1) Nuts x 2 pcs
- 2) Washers x 8 pcs
- 3) Bearings x 2 pcs
- 4) Long Bolt x 1 pc for Bottom Mount ONLY
- 5) Short Bolt x 1pc for Top Mount ONLY



Long Bolt secures the LOWER MOUNT



Short Bolt secures the UPPER MOUNT



There are 2 bolts - LONG & SHORT.

The Long Bolt secures the LOWER MOUNT and the Short Bolt secures the UPPER MOUNT.

When installing the swivel arm, make sure the bearing assembly is sandwiched between two washers.

Apply some grease if necessary.

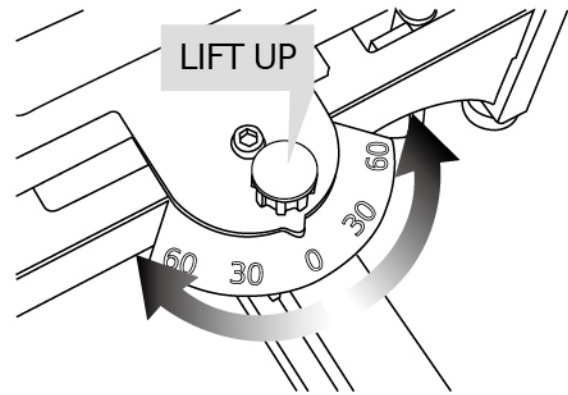
The Traction Mount Swivel Arm that comes with the unit is very heavy, a second person to help with the installation is highly recommended.

- Dry fit the swivel arm in between the upper & lower mounts while another person is holding the swivel arm in place. Make sure the lock pin is inserted to one of the holes on the triangular Angle Indicator plate.
- Slide in the sandwiched washer & bearing between the upper mounting plate and swivel arm top mount plate. Align the washer & bearing with an Allen key
- Quickly insert the SHORT BOLT at the top and through the sandwiched assembly. Secure the top assembly with a washer & nut.
- After the upper assembly is tightened, do the same with the bottom assembly. Tightened it with a washer & nut.

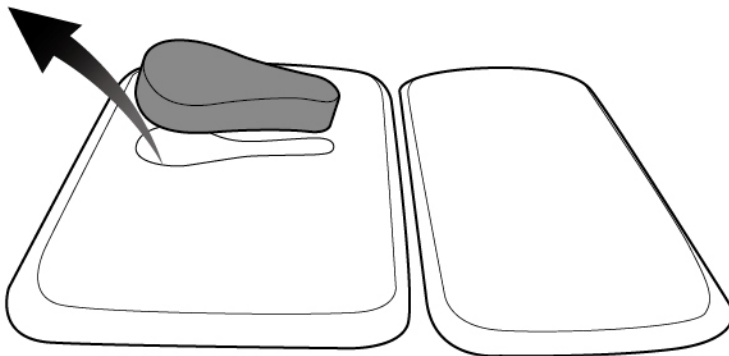
4. Adjusting the Swivel Arm

The angle of traction swivel arm can be adjusted between 0° / 30° / 60° either to the left or right. Depending on different conditions, the therapist may adjust the angle according to the patient's condition and requirement.

To Adjust the Traction Angle, simply LIFT UP the Knob Lock and adjust to the desired angle then release it. Make sure that the pin is inserted all the way in to the slot hole of angle indicator plate.

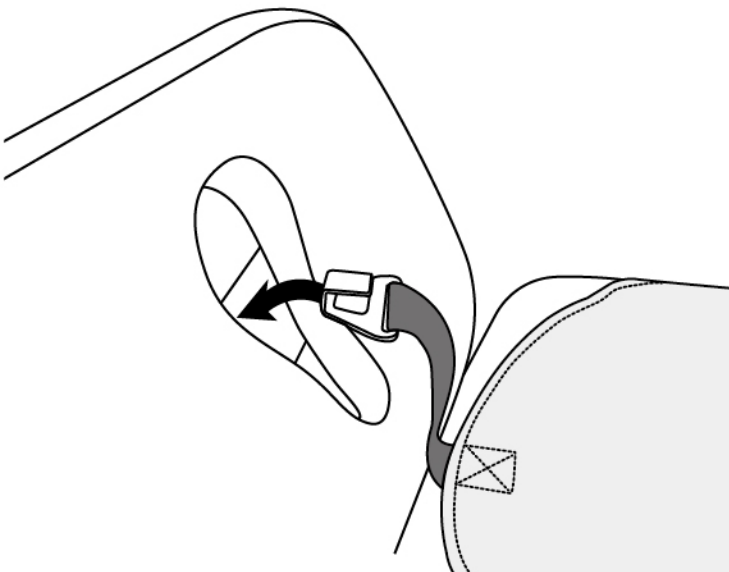


5. (a) Thoracic Traction Belt Setup & Installation



REMOVE Face Hole Plug.

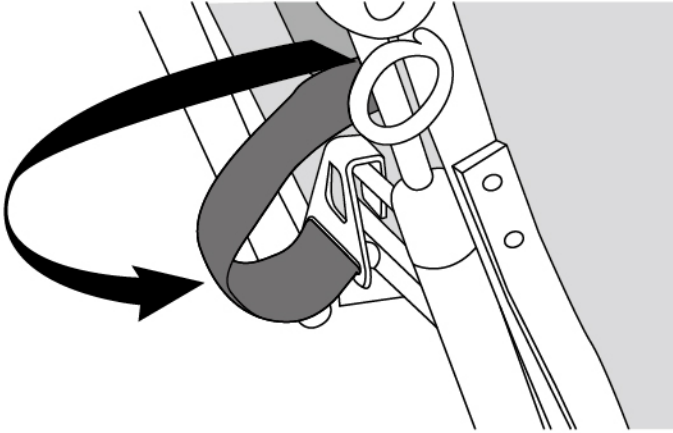
1



INSERT the "Buckle Clip" of Thoracic Belt into the Face Hole.

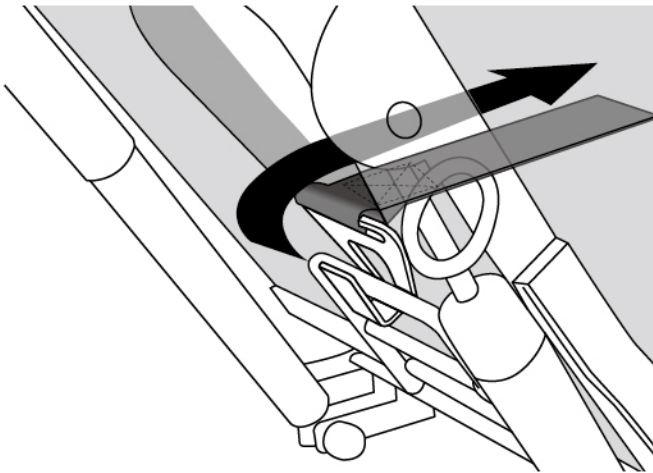
2

5. (b) Thoracic Traction Belt Setup & Installation



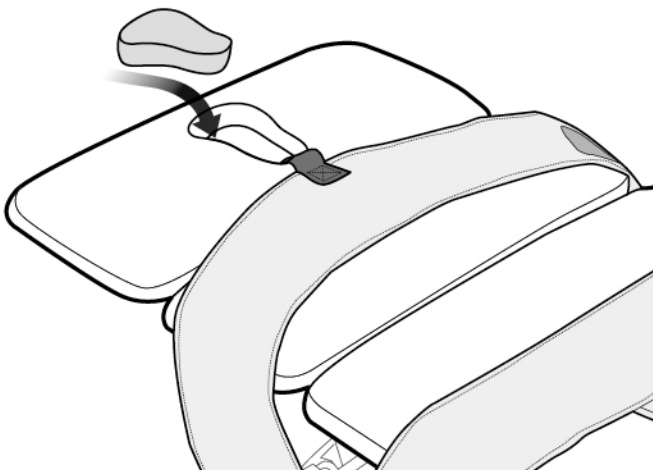
HOOK the "Buckle Clip" over the Round Bar beneath the lower part of face hole opening.

3



PULL the "Connecting Belt" forward from the front of Face Hole to securely LOCK IN the "Buckle Clip" and Round Bar.

4



PLACE the Face Hole Plug back securely.

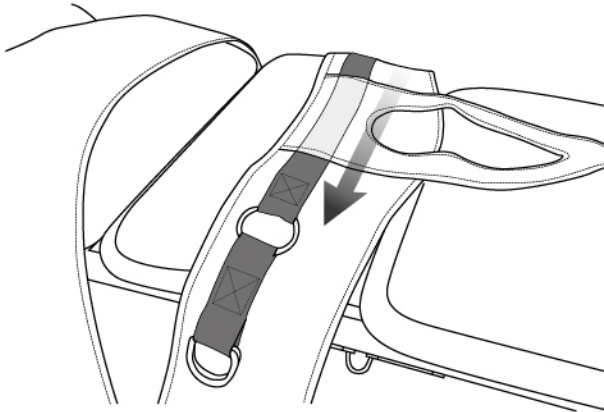
5

6. Lumbar Traction Belt Setup & Installation



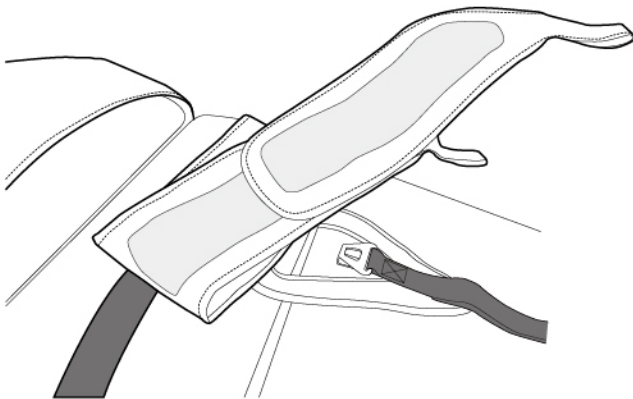
LOCATE the "Black Tension Belt" with D-Type & O-Type Steel Rings.

1



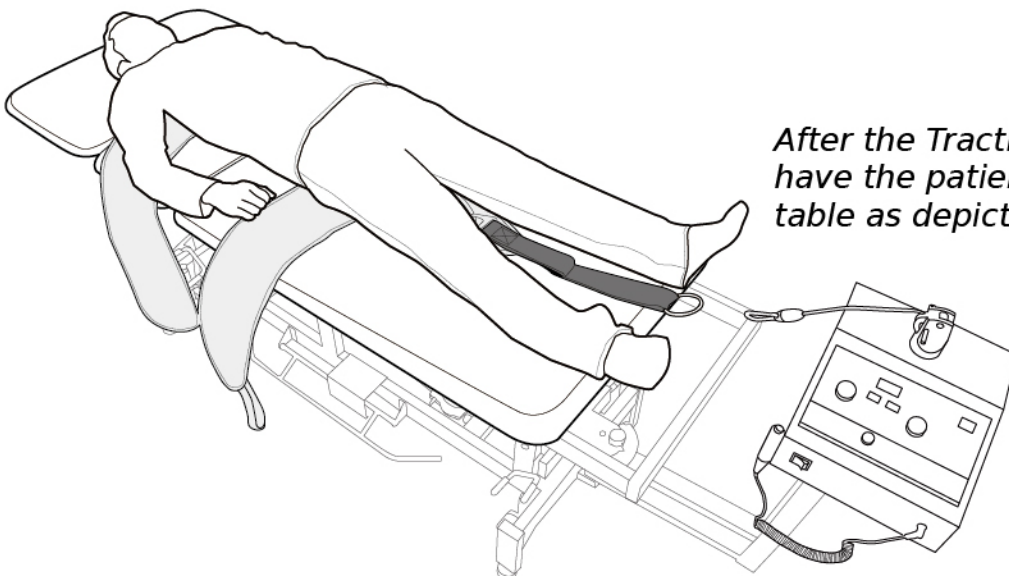
Then FLIP OVER the Lumbar Traction Belt, so the Harnesses are facing the table top.

2



USE the "Extension Pad" to increase waist length of Lumbar Belt, especially when longer length is required.

3



After the Traction Belts are installed, have the patient LIE DOWN on the table as depicted here.

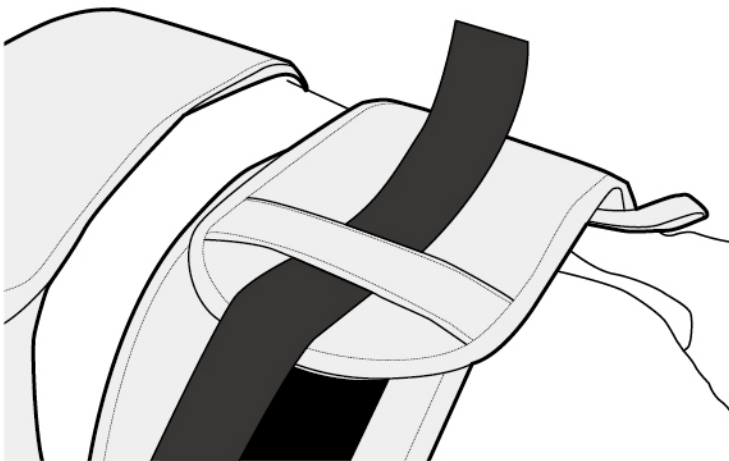
4

7. Strapping Up Thoracic Traction Belt



Have the patient **LIFT UP** both of his/her arms. **BRING** both Pads of the Thoracic Traction Belt forward and contour over the patient's chest securely. Then **WRAP** the Velcro backed Pad over the other.

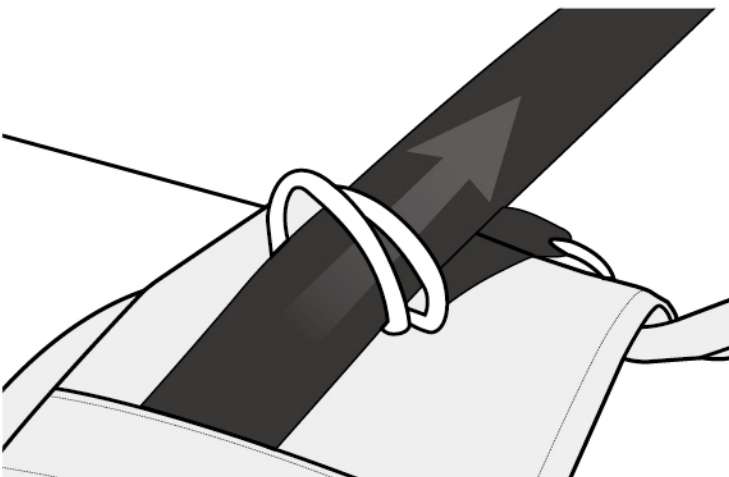
8 (a). Strapping Up Lumbar Traction Belt



WRAP the Lumbar Traction Belt over the patient's waist line (above the pelvic line). Then **SECURE** the belt by wrapping the Velcro backed Pad over the other.

(The "Black Tension Belt" should go over and around the Lumbar Traction Belt.)

1



INSERT the open end of the "Black Tension Belt" through the Double D-Rings.

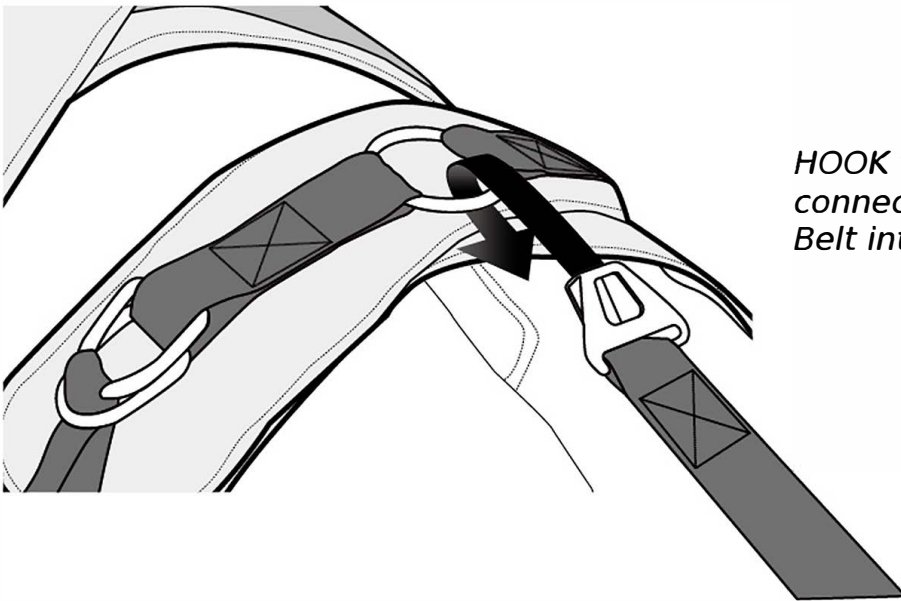
2

8 (b). Strapping Up Lumbar Traction Belt



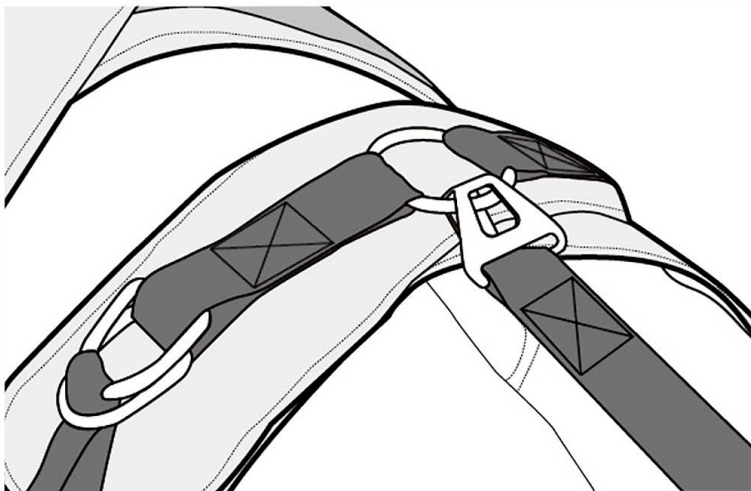
BRING the open end over the second ring then *INSERT* through the first ring. *PULL* the open end to increase tension.

3



HOOK the Buckle Clip that is connected to the Lumbar Traction Belt into the Steel Ring.

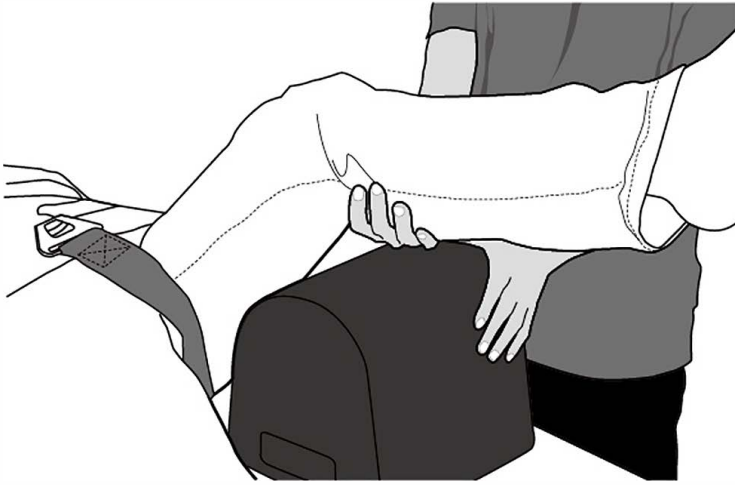
4



SECURE the Buckle Clip as depicted herein.

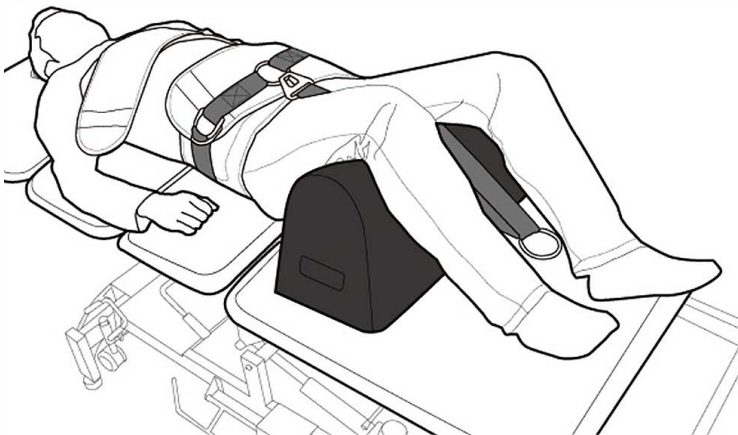
5

9 (a). Getting Ready



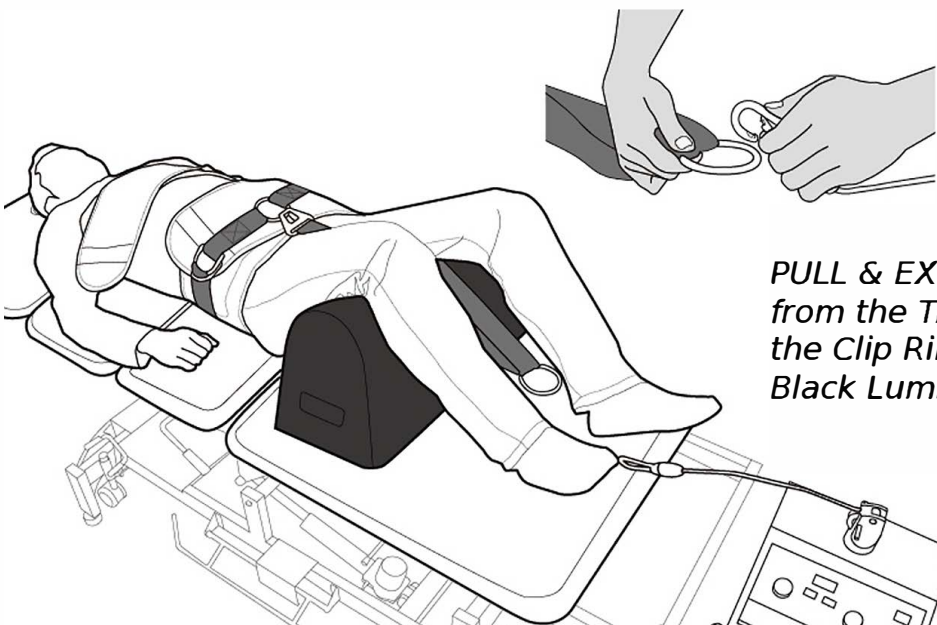
LIFT one of the patient's leg then *PLACE* one of the 2 x Bolsters (Black) underneath. The bolster should go behind the knee while slightly bent.

1



The already buckled Black Lumbar Traction Belt should be pulled out from the middle between the two bolsters for connection to Traction Unit.

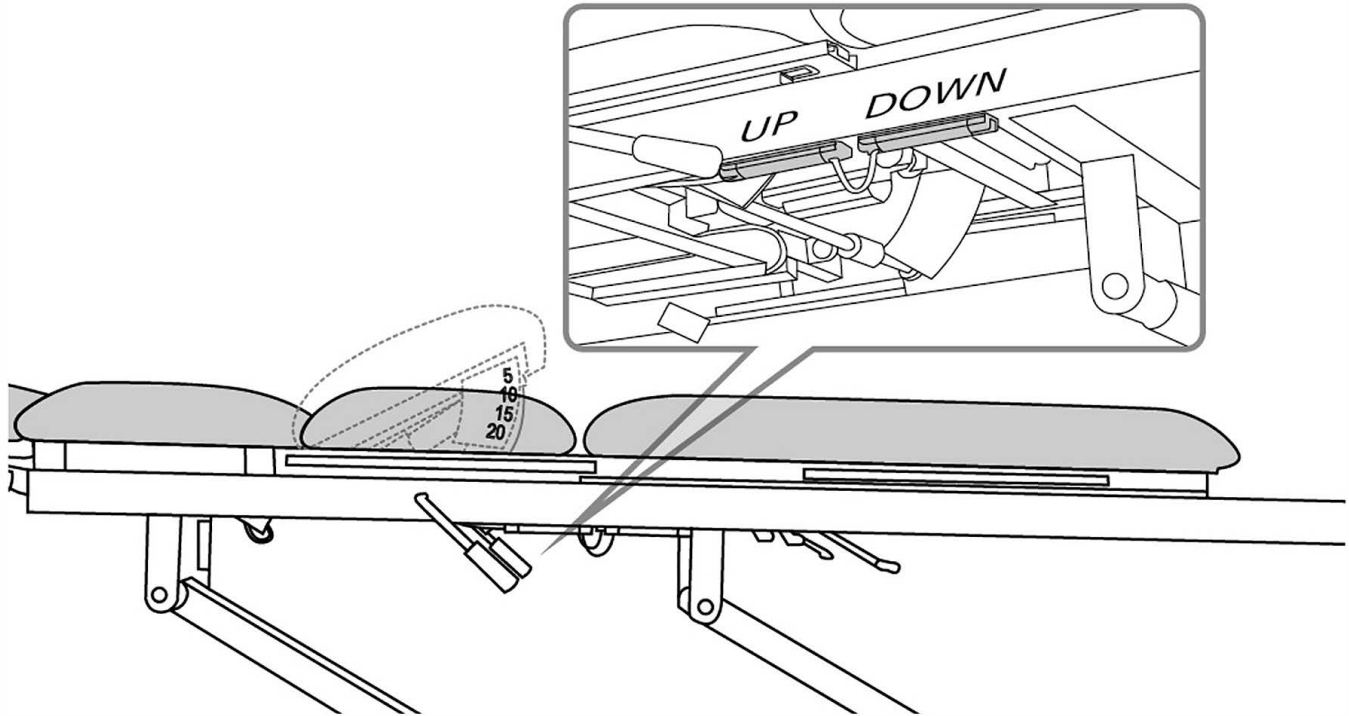
2



PULL & EXTEND the Traction Cable from the Traction Unit and *CONNECT* the Clip Ring to Steel Ring of the Black Lumbar Traction Belt.

3

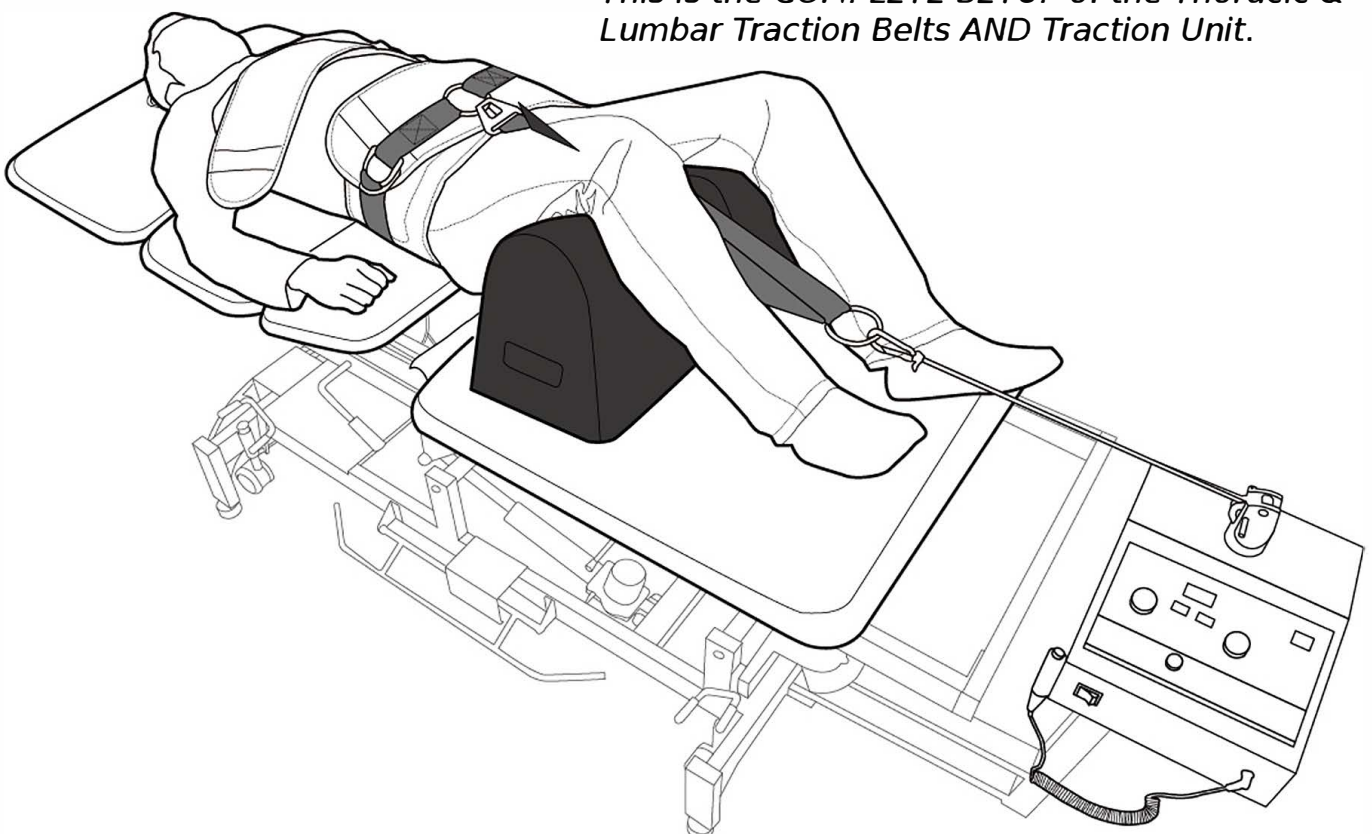
9 (b). Getting Ready (Adjusting Motorized Pelvic Lift)



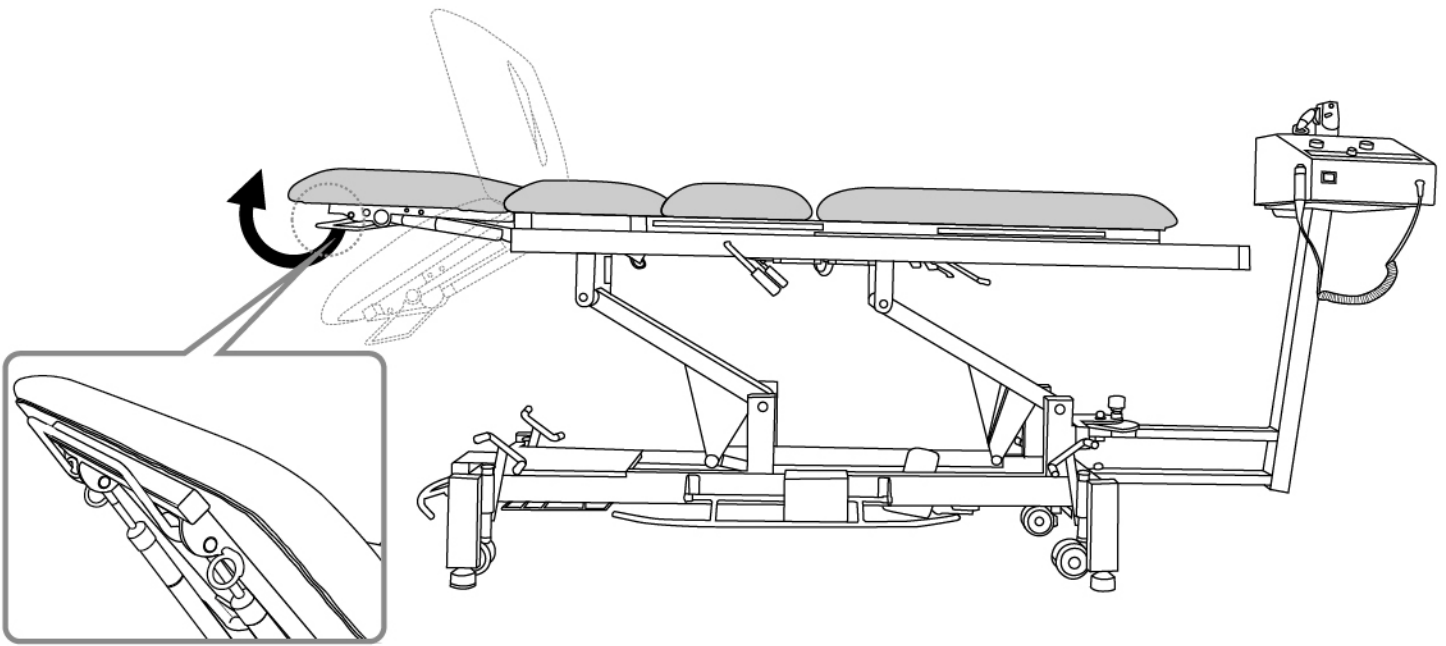
The PELVIC SECTION is driven by an Electric Motor to facilitate effortless elevation & descend especially when a patient is lying atop. To adjust the angle of elevation of the Pelvic Section, 2 x Touch Switches can be found on either side of the Upper Frame underneath the Table Top. PRESS on one switch, the Pelvic Section TILTS UP and the other one TILTS DOWN. It can be adjusted from both sides as there are 2 sets of switches, one on each side.

9 (c). Getting Ready (Final)

This is the COMPLETE SETUP of the Thoracic & Lumbar Traction Belts AND Traction Unit.



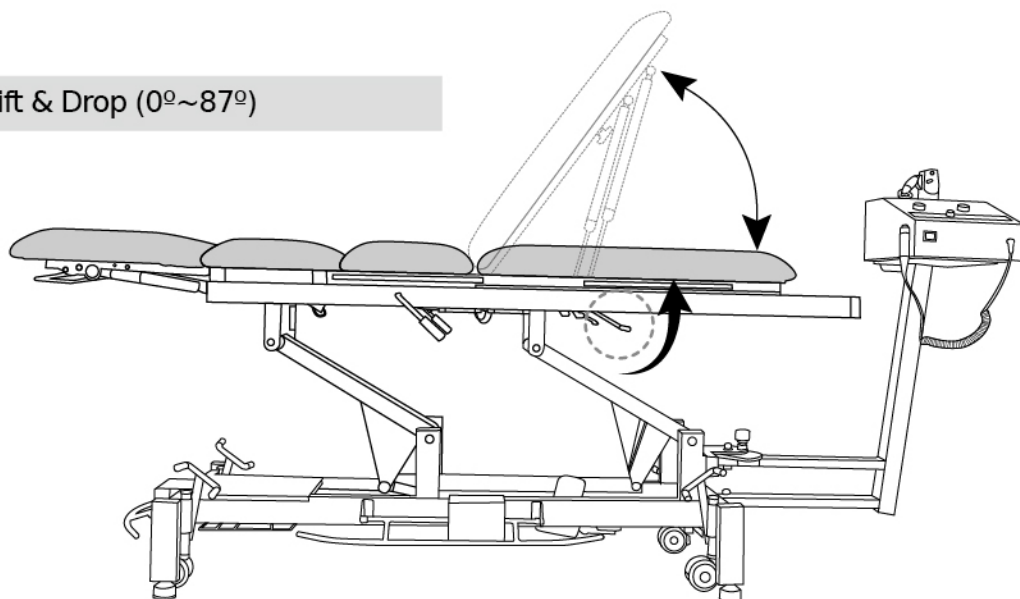
10. Adjusting Head Section (-20°~80°)



To **LIFT UP** or **ADJUST** the tilt angle of the head section, simply lift the “lever” located at the head section and it will allow the head section to move. Once the lever is released, the head section is locked in place at that specific angle. **PUSH & HOLD** the Lever found at the Head Section to adjust the **ANGLE** of the **HEAD REST**. Once the Lever is released, the Head Rest will remain at that particular **ANGLE**.

11. Adjusting Foot Section (0°~87°)

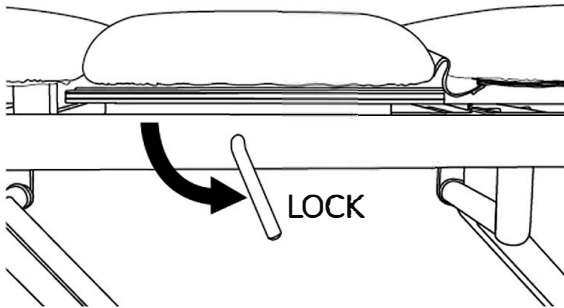
Foot Section - Lift & Drop (0°~87°)



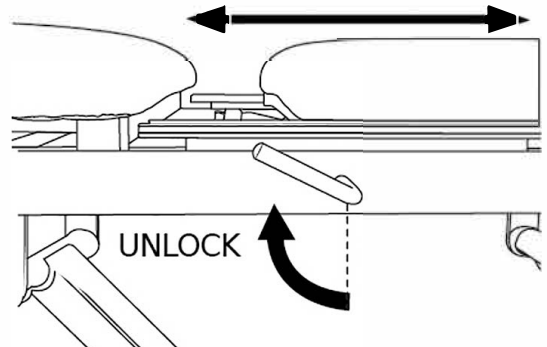
To adjust the tilt angle of the foot section, simply lift the protruding “lever” just beneath the top frame at the leg section. Once released, the leg section is locked in place at that specific angle. **PRESS & HOLD** on the **LEVER** found beneath the Table Top at the **FOOT SECTION** area for **TILTING UP** or **LIFTING UP** the **FOOT SECTION**.

12. Unlocking & Locking the Mid/Leg Sections

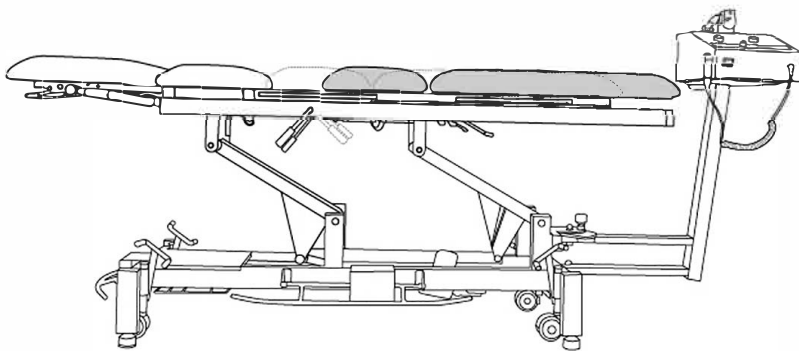
The 3rd & 4th Section of the BAL2050 are designed to shift / move forward or backward during a therapy session. This feature is to facilitate the traction movement when the patient's lumbar is being pulled by the traction unit.



To lock the mid & leg section, simply turn the level DOWN just beneath the 3rd section until it stops. Now the two lower sections are locked and the patient can get on the table.



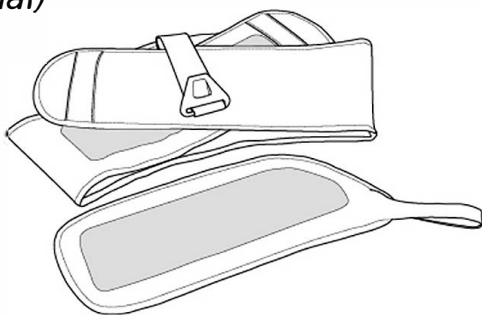
To unlock the mid & leg sections, simply turn the lever UP until the rail is released and freemoving. Now the traction can take effect and therapy may commence.



After a Patient is properly strapped up, the LOCK has to be RELEASED for Free Movement. UNLOCKING the Pelvic & Foot Section Tops can be done immediately after the Traction Unit is engaged and operating. Delaying the Unlocking a few seconds after Starting can help to eliminate the unwanted SLACK especially when the patient is strapped up LOOSELY.

13. Accessories

(Optional)



Item Name (Model No.)	Order No.
Thoracic Traction Belt	6606ET8007

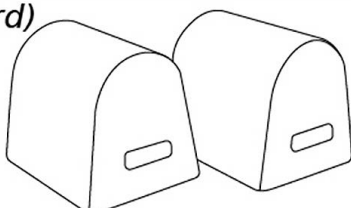
(Optional)



Include: 1 x Outer Tension Belt & 1 x Extension Pad

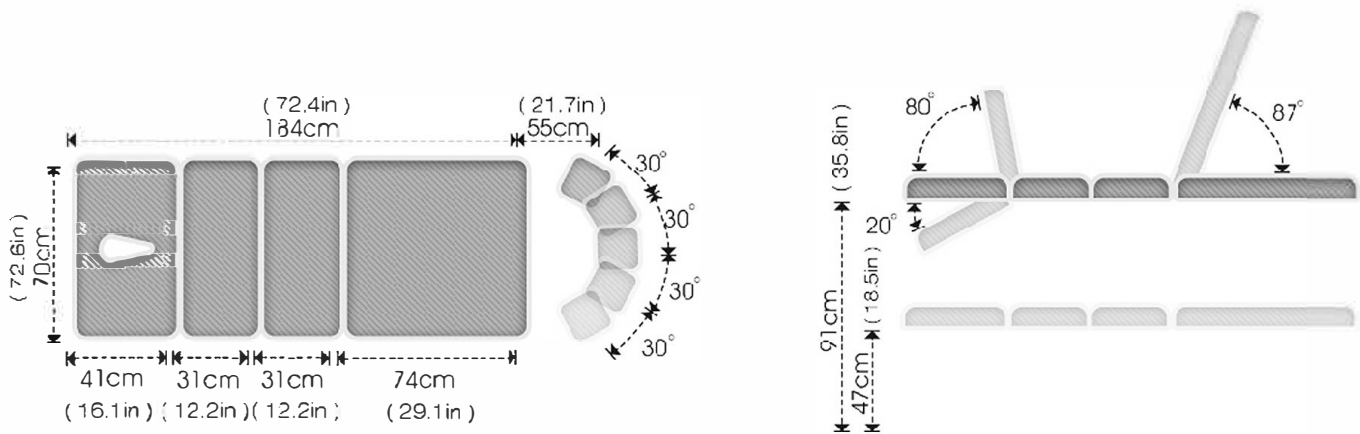
Item Name (Model No.)	Order No.
Lumbar Traction Belt	6606ET8008

(Standard)



Item Name (Model No.)	Order No.
Bolsters x 2	6606CA2504

14. Technical Specifications



Measurements & Technical Data

<i>Minimum Height</i>	470mm / 18.50" inch
<i>Maximum Height</i>	910mm / 35.83" inch
<i>Table Top Width</i>	700mm / 27.56" inch
<i>Head Section Length</i>	410mm / 16.14" inch
<i>Thoracic Section Length</i>	310mm / 12.20" inch
<i>Lumbar Section Length</i>	310mm / 12.20" inch
<i>Leg Section Length</i>	740mm / 29.13" inch
<i>Total Length</i>	2390mm / 94.09" inch
<i>Head Tilt Angles</i>	-20° to +80°
<i>Leg Tilt Angles</i>	-0° to +87°
<i>Traction Arm Swivel Angle</i>	(L) 60° to (R) 60°
<i>Lift Mechanism</i>	Electric
<i>Breathing Hole/Plug</i>	1
<i>Retractable Castors</i>	4
<i>Weight Rating (Max. Load)</i>	225kgs / 496lbs
<i>Net Weight</i>	103.5 kgs
<i>Gross Weight</i>	116.2 kgs
<i>Package Dimension</i>	210 x 75 x 56 cm

Electrical Data

Control Box Input Voltage & Rating:
100~240VAC, 50/60Hz, 2A

Control Box Output Voltage:
DC 32V, 80VA

Actuator Input Voltage: DC 24V
Duty cycle: Max. 10% 2min. ON / 18min. OFF
Max. Load: Push 8000N
Max. Current: Max. 6A

CERTIFIED TO AAMI / CSA / IEC / EN STD
AAMI ES 60601-1, CSA-C22.2 NO. 60601-1
IEC 60601-1, EN 60601-1

The electrical components used are approved by IEC 60601-1

Trouble Shooting

Issues

The Table Top seizes to move nor operate when (1) the Main Power Cord is connected securely to the Main Wall Socket and (2) All Cables are connected correctly & securely to the Control Box.

Solution

1) Do you see a constant Green Light on the control box when power is plugged into the wall?

(The LED is located at the end panel where the cover can be lifted off)

If NOT, either the power cord is not plugged-in securely to the main wall socket or there may be a high possibility of a faulty or broken control box.

Solution: the Control Box requires replacing

2) When the Hand or Foot Controls' Buttons are pressed either up or down, do you hear a "Clicking" sound from the Control Box?

Solution: if the answer is YES - you hear the clicking sound but the actuator is not moving the table top, the actuator is not working and require replacing.

Regulation Compliance

1. Safety

ANSI/AAMI ES 60601-1

CAN/CSA-C22.2 NO. 60601-1

EN IEC 60601-1 Medical Electrical Equipment -Part 1: General Requirements for Basic Safety and Essential Performance

2. EMC

EN IEC 60601-1-2 Medical Electrical Equipment -Part 1-2: General Requirements for Basic Safety and Essential Performance - Collateral standard: Electromagnetic Compatibility - Requirements and Tests

3. Static Loading Force

EN IEC60601-2-52 Part 2-52: Particular Requirements for the Basic Safety and Essential Performance of Medical Tables, Beds or Couches

4. Gas Spring (Strut)

a. Drop Test-Dynamic Functional Load

b. Impact Test-Cyclic

5. Ignitability & Flammability (Optional)

BS 7176: Specification for resistance to ignition of upholstered furniture for non-domestic seating by testing composites

a. BS EN 1021-1 : Furniture. Assessment of the ignitability of upholstered furniture. Ignition source smouldering cigarette

b. BS EN 1021-2: Furniture. Assessment of the ignitability of upholstered furniture. Ignition source match flame equivalent

c. BS 5852: Methods of test for assessment of the ignitability of upholstered seating by smouldering and flaming ignition sources

State of California: Department of Consumer Affairs (dca)

a. TB117 - Requirements, Test Procedure and Apparatus for Testing the Smolder Resistance of Materials Used in Upholstered Furniture

b. TB133 - Flammability Test Procedure for Seating Furniture for Use in Public Occupancies

6. Antimicrobial Activity Test

ASTM G 21-09 : Standard Practice for Determining Resistance of Synthetic Polymeric Materials to Fungi

7. Phthalate

EN 14372 : Child use and care articles - Cutlery and feeding utensils - Safety requirements and tests

8. Enclosure Protection of Control Box

IEC60529: Degrees of Protection Provided by Enclosure

9. Caster Wheel of Hospital Bed

BS EN12531: Casters and Wheels - Hospital Bed Casters

I. Manufacturer's Warranty

Stonehaven Medical, Inc. or dealers warrants the Product stated herein to be free from manufacturing defects in workmanship and materials (from the date of purchase) for the following parts and periods ONLY:

1 Year Manufacturer Warranty for the following parts only from the date of purchase:

- (a) Upholstery (d) Hand / Foot / Switch Controls
- (b) Castors (e) Leveling Foot Mechanism
- (c) Gas Struts

2 Year Manufacturer Warranty for the following parts only from the date of purchase:

Motorized Actuator, Control Box etc.

3 Year Manufacturer Warranty for the following parts only from the date of purchase:

Frame (Upper Frame + Twin Pillars + Lower Frame)

Stonehaven Medical, Inc. will repair or replace, at its facility, any product found to be defective. **The warranty does not apply to any Product which has been subjected to misuse, abuse, neglect, improper packaging, damage in transit, accident or repaired or modified by anyone other than Stonehaven Medical, Inc. authorized employees or agent, or for any other reasons not directly associated in the scope of manufacturing. The warranty covers ONLY manufacturer's defects but DOES NOT cover wear and tear under normal usage. The Product stated herein must be serviced and maintained in accordance with the manufacturer's maintenance schedule by the manufacturer's appointed or authorized service agents. This warranty is voided immediately as to any Product which has been disassembled, repaired or modified by anyone other than authorized employees or agent of Stonehaven Medical, Inc.**

II. Limitation of Liabilities and Disclaimer of Warranties

Stonehaven Medical, Inc. or its appointed or authorized agents or dealers shall not be liable to any person for any direct, indirect, special, incidental, or consequential damages, lost profits or medical expenses caused by any defect, failure, malfunction or otherwise of the product, regardless of the form in which any legal or equitable action that may be brought against Stonehaven Medical, Inc. or its appointed or authorized agents or dealers (e.g. contract, negligence or otherwise). The remedy provided in I. Warranty above shall constitute purchaser's sole remedy. In no event shall Stonehaven Medical, Inc. or its appointed or authorized agents or dealers' liability under any cause of action relating to the product exceeds the purchase price of the product. (The Warranty gives Purchaser specific legal rights and Purchaser may also have other rights which vary from state to state. Some states do not allow the exclusion or limitation of incidental or consequential damages, so the above limitation may not apply to the Purchaser.)

Dismantling a Gas Strut

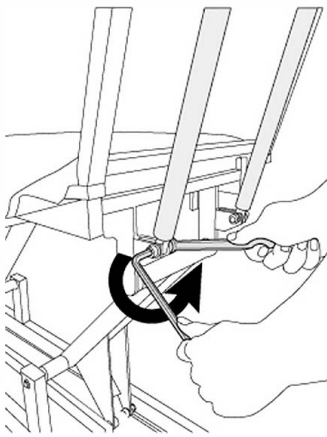
Required Tools



Spanner 17mm

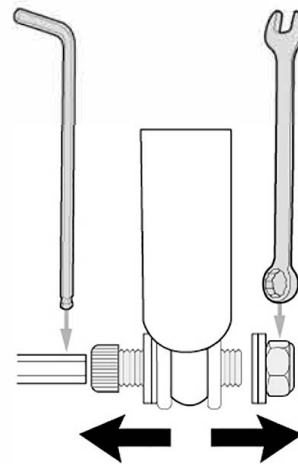


Hex Allen Key 10mm



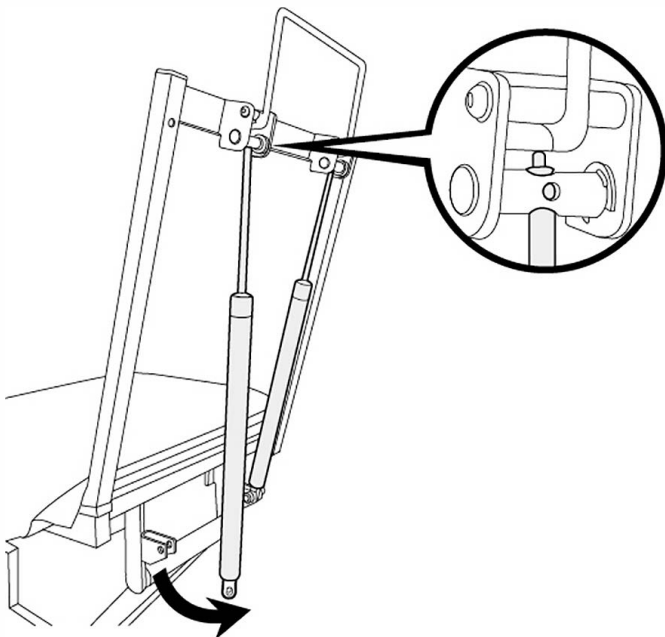
1) Dismantling a Gas Strut

Unmount the Gas Strut with a Spanner and Allen Key (Hex Screw Driver.)



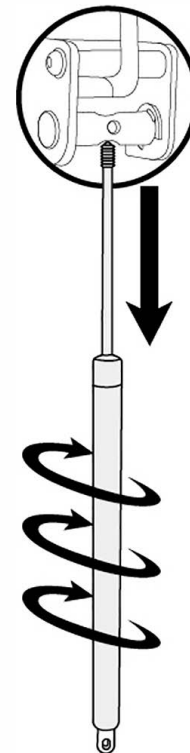
2) Dismantling a Gas Strut

Unscrew the Bolt & Nut with a Spanner and Allen Key.



3) Dismantling a Gas Strut

Swing the Gas Strut's Cylinder Body OUT of the mounting piece from the bottom.



4) Dismantling a Gas Strut

Turn the Gas Strut's Cylinder Body Anti-Clockwise to disconnect the Shaft from the cylinder mount.

Installing a Gas Strut

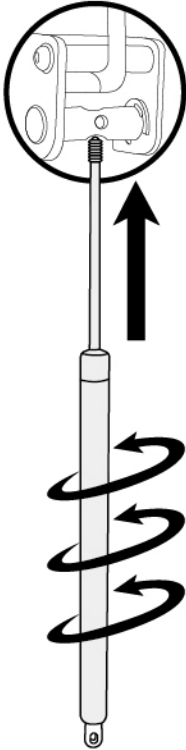
Required Tools



Spanner 17mm

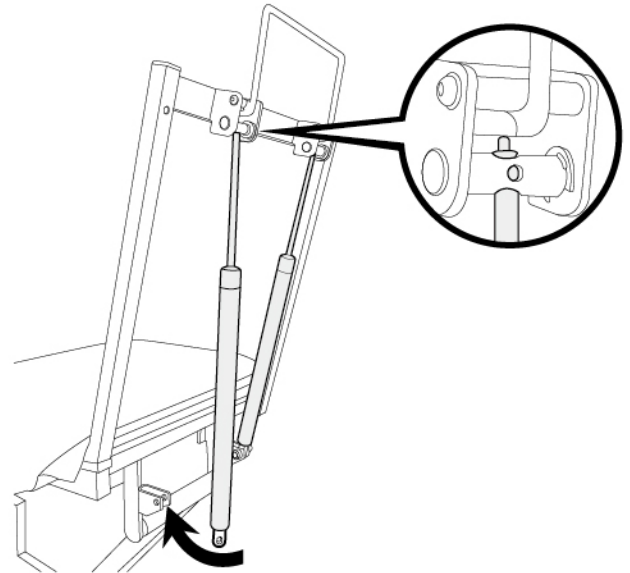


Hex Allen Key 10mm



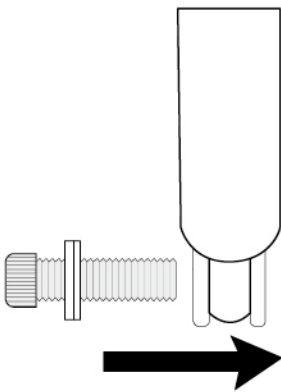
1) Install a Gas Strut

Insert the Gas Strut's *SHAFT END* with trigger to the cylinder mounting hole then *TURN* the Gas Strut Clockwise until the trigger tip just touches the lever's end.



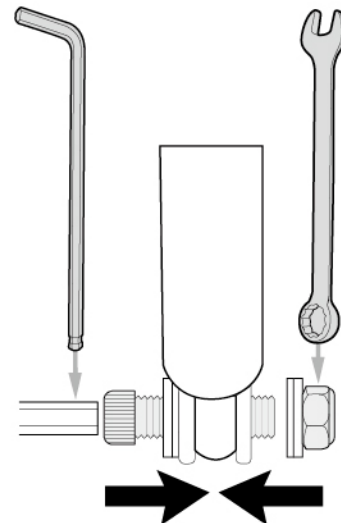
2) Install a Gas Strut

Swing the Gas Strut's *Cylinder Body* to the mounting piece at the bottom then align the holes before inserting the bolts.



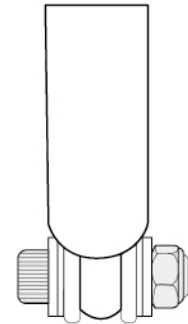
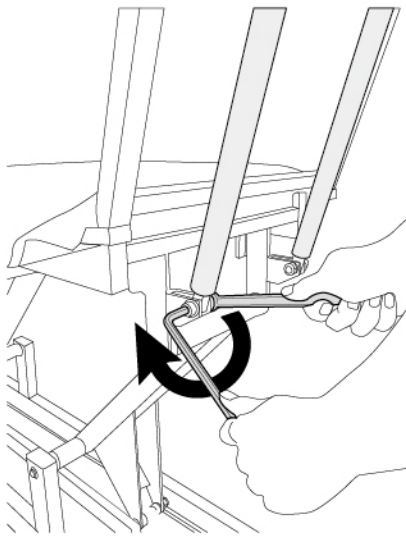
3) Install a Gas Strut

Insert the Bolt with 1 * Washer into the table mount then through the Gas Strut mount.



4) Install a Gas Strut

At the other end of the Bolt, insert 1 * Washer before tightening the Nut.



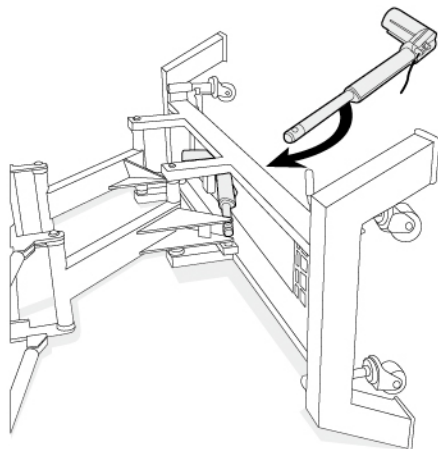
5) Install a Gas Strut

Tighten until the Bolt is FLUSH to the mount. Never overtighten the Bolt as it will restrict necessary movement and prevent smooth operation.

6) Install a Gas Strut

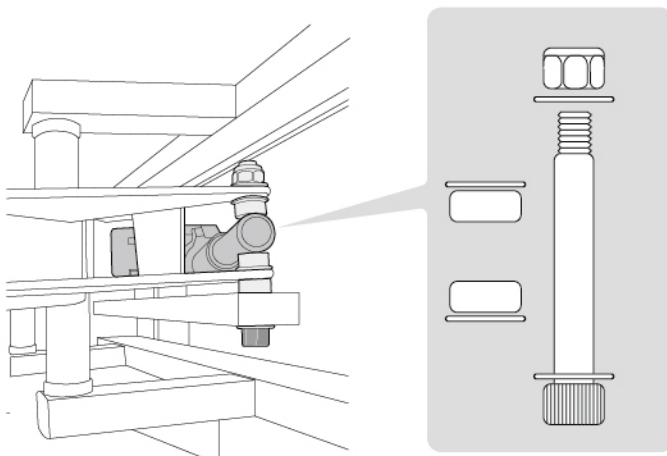
The Bolt and Nut should ONLY be FLUSHED to the Mount.

Replacing an Actuator



1) Replacing an Actuator (2 People Required)

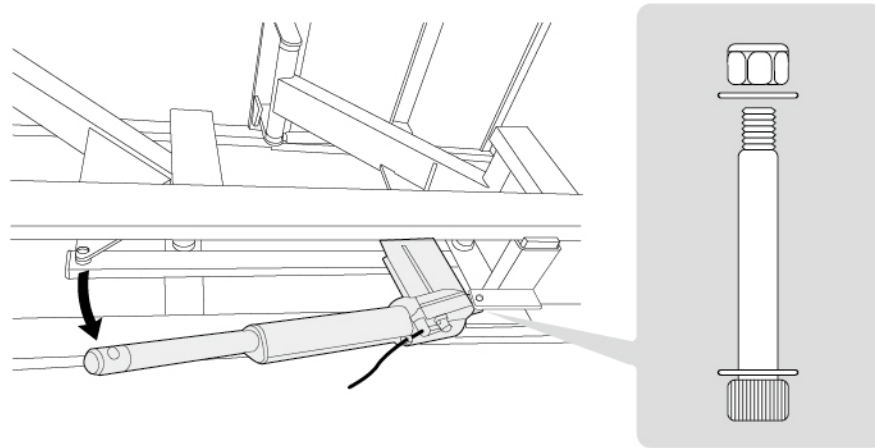
First, have someone to help you to FLIP the table over on its SIDE.



2) Replacing an Actuator

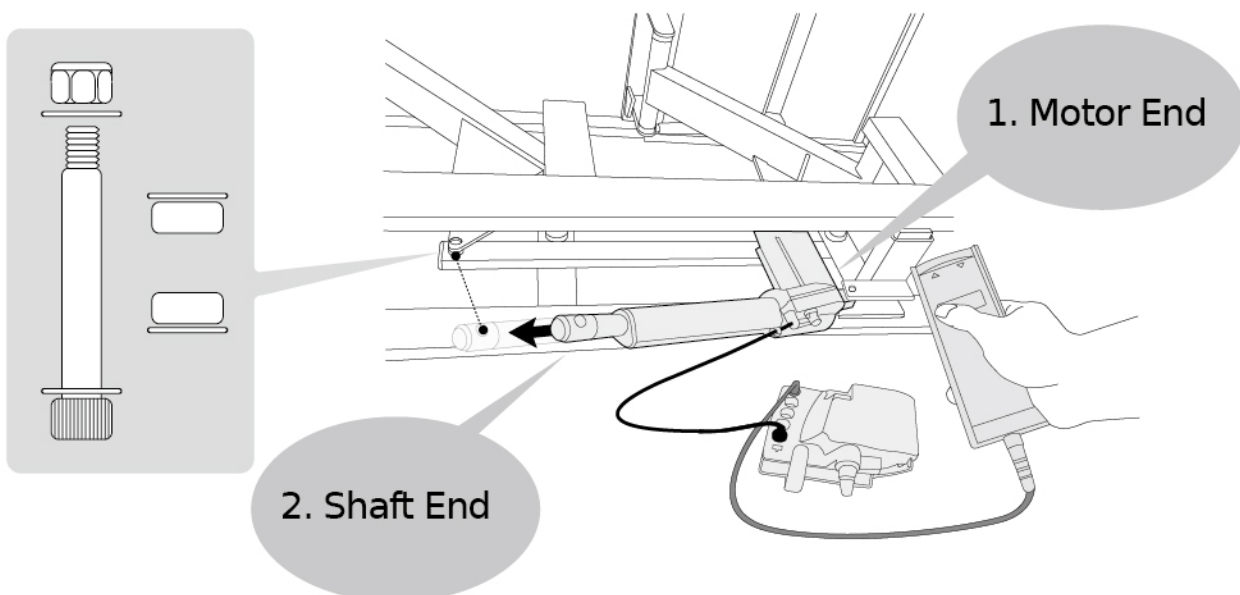
Unscrew the Bolt & Nut at the SHAFT END FIRST!

When first removing the Actuator at the SHAFT END, please make a note of the arrangement of Bolt, Nut, Washer & Nylon Spacer. It will be useful when installing a new actuator later on.



3) Replacing an Actuator

Then unscrew the Bolt & Nut at the MOTOR END!



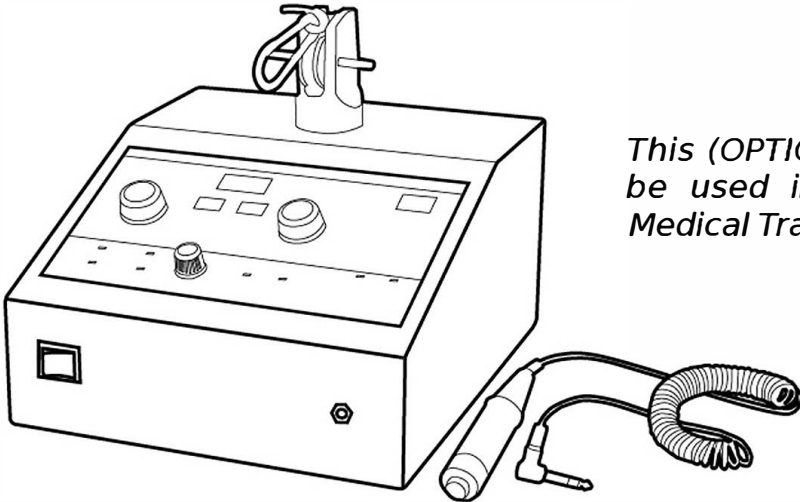
4) Replacing an Actuator

After replacing a new actuator, FIRST BOLT ON the actuator mount from the MOTOR END!

While leaving the SHAFT END unmount, connect the actuator to the control box and begin to operate by pressing the buttons on the Hand Control or switches on the Foot Control. STOP when the SHAFT END reaches and align with the PIVOT MOUNTING HOLE of the TWIN PILLARS.

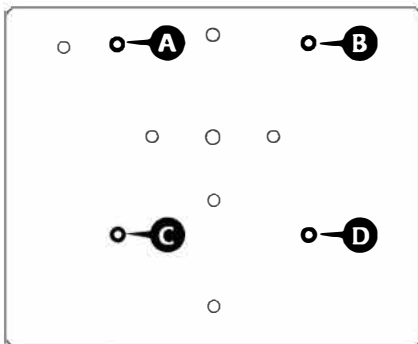
Finally, insert the Bolt, Washer, Nylon Spacer and Nuts then tighten it until the nut is only FLUSH with the mount.

Before Installation



This (OPTIONAL) BAL2055 Agility Head is to be used in tandem with ALL Stonehaven Medical Traction Tables.

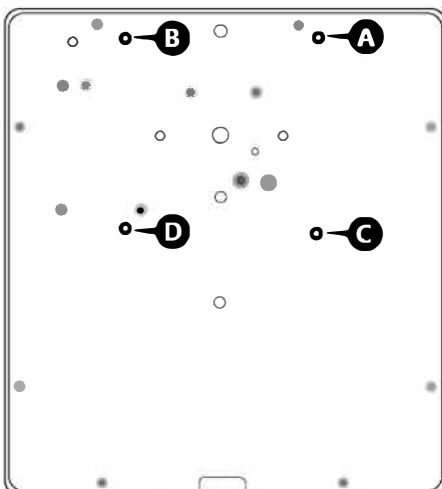
Identifying Mount Holes of Traction Swivel Arm



This is the TOP SIDE of the PEDESTAL MOUNT PLATE that is sitting atop of the TRACTION SWIVEL ARM on BAL2050 Traction Table.

LOCATE the 4 x RED CIRCLES (A, B, C, D). These are the HOLES for mounting the Traction Device (BAL2055) on the Pedestal.

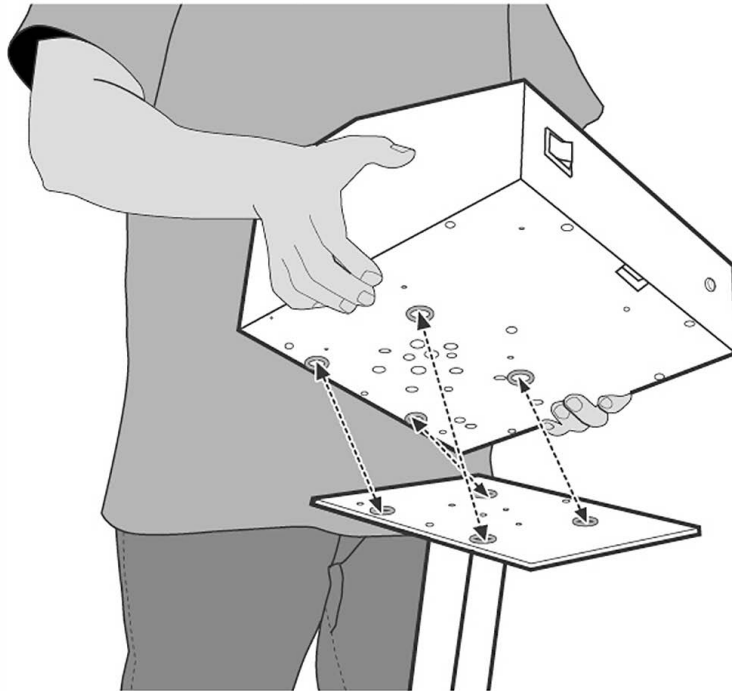
Identifying Mount Holes of Traction Unit



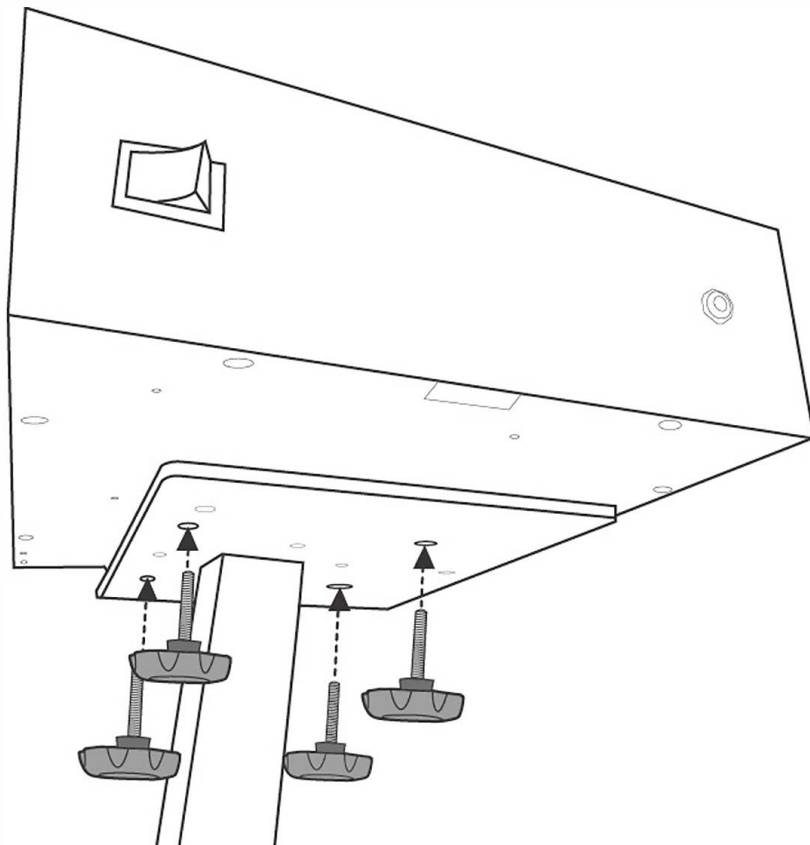
This is the BOTTOM SIDE of the Stonehaven Agility Traction Unit (BAL2055).

LOCATE the 4 x RED CIRCLES (A, B, C, D) underneath the unit. These 4 x Holes have to be aligned with the 4 x Holes found on the TOP SIDE of the PESDESTAL MOUNT PLATE found on Traction Agility Table BAL2050.

Mount Traction Device on Traction Agility Table



LIFT the Stonehaven Agility Traction Unit BAL2055 and ALIGN the 4 x Holes with RED CIRCLES. Then rest the Traction Unit BAL2055 on the Pedestal with the HOLES ALIGNED.



LOCATE the "KNOB SCREWS" found in one of the Hardware Pack. Insert one knob screw at a time and screw-in until it has securely gone through the bottom panel of the BAL2055. Install all 4 x knob screws before tightening.