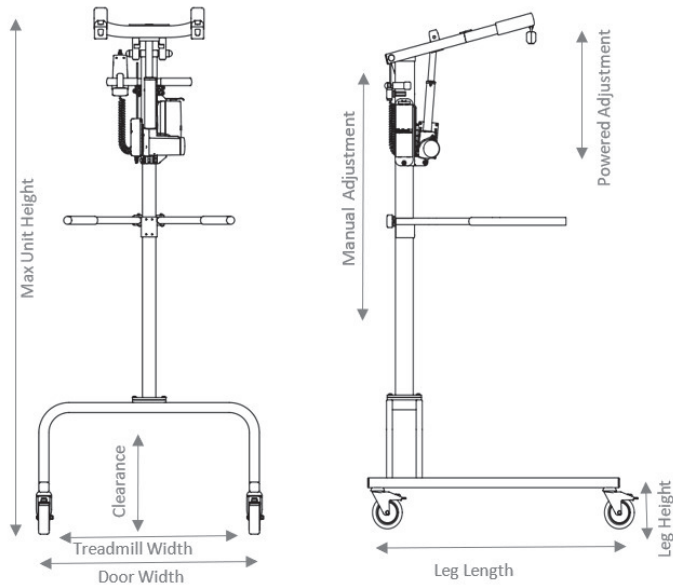


# LiteGait® 200MX



Max. Patient Weight	200 lbs	Base Options	Standard Base	30"	27"/30"/34"
Max. Patient Height Over Ground		Base Dimensions			27"   30"   34"
with FreeDome	5'- 7"		Treadmill Width		26"   29"   33"
without FreeDome	6'- 1"		Door Width		32"   35"   39"
Max. Patient Height w/Treadmill			Height (Floor to Top of Leg)		8"   8"   8"
with FreeDome	5'- 1"		Max. Base Footprint		38" x 42.5"
without FreeDome	5'- 7"		Clearance		18"
Yoke Adjustment			Leg Length		42.5"   42.5"   42.5"
Powered	18"	Shipping Dimensions			42" x 28" x 55"
Manual	32"	Shipping Weight			141 lbs   156 lbs   159 lbs
Overall Unit Height	6'- 7"	Power Requirements:	110V-240V 50/60Hz		

LiteGait® Includes			
Integrated Freedom	NOT AVAILABLE	Included Harness	1 Harness
Removeable Freedom	OPTIONAL	Small	
BiSym	OPTIONAL		
Gaiter Stool	OPTIONAL		
3D Handlebar	OPTIONAL		
Parallel Grab Bar	INCLUDED	Q-Straps	INCLUDED
L-Shape Handle Bars	NOT AVAILABLE	Nex Gen	NOT AVAILABLE