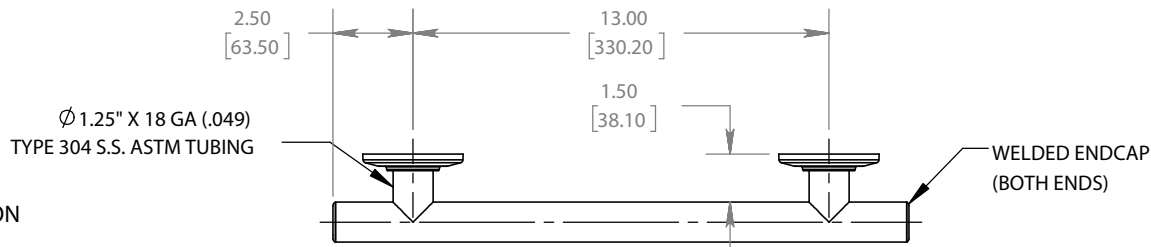
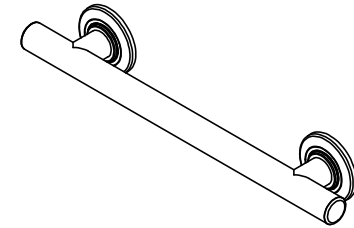
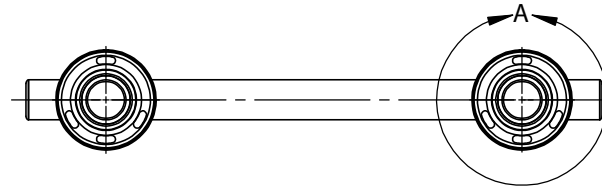


NOTES: UNLESS OTHERWISE SPECIFIED

1. DIMENSIONS IN BRACKETS [] ARE MILLIMETERS, FOR REFERENCE ONLY.

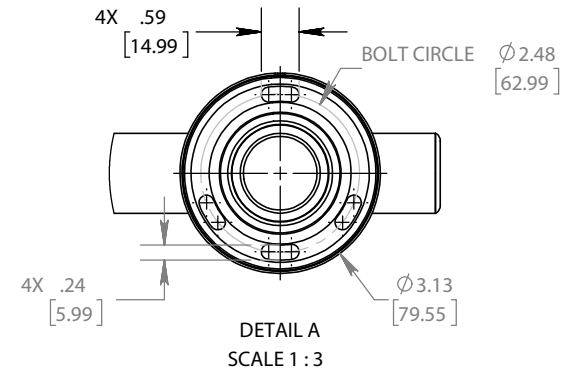
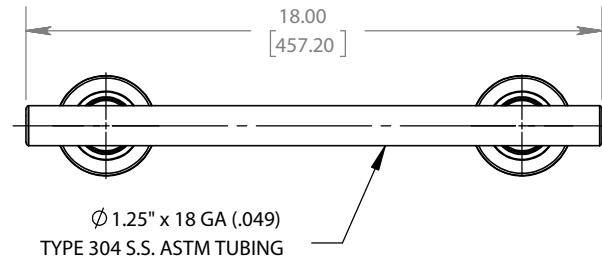
REVISIONS			
REV.	DESCRIPTION	DATE	APPROVED
A	RELEASED	4/21/2022	



PRODUCT SPECIFICATION

-CLIENT:  
-MATERIAL: AISI 304

790-180-QCR-SS  
790-180-QCR-PS



MODEL #APFGB79018-QCR-MB

-HARDWARE PACKAGE INCLUDES:  
1. (6X) #10 X 2-1/2" PHILLIPS PAN HEAD SHEET METAL SCREW

1-877-947-7769

DRAWN T. AYALA		04/21/22	DWG. NO. 790-180-QCR		REV A
ENG APPR.		SIZE A	DO NOT SCALE DRAWING	SCALE: 1:5	SHEET 1

TITLE:  
CORONADO SERIES 18" STRAIGHT  
GRAB BAR, BOTH ENDS STRAIGHT