



## P Series 15 Gallon Mobile Whirlpool P-15-M, P-15-MH, P-15-MU

(Model P-15-M shown in photo)



Product photo/image above may show some available options

**P-15-M Mobile Whirlpools** are recommended for treatment of the foot and ankle area, and when provided with a raised undercarriage, may also be used in treatment of the upper extremities.

**Tank Capacity** is 15 gallons.

**P-15-M, Mobile Whirlpool** is recommended for the treatment of the foot and ankle.

**P-15-MH, is a Mobile Whirlpool with Handle** of heavy duty construction with the hand grip section approximately 36" above ground level for ease in maneuvering the whirlpool from one location to another.

**P-15-MU, is a Mobile Whirlpool with Undercarriage** of heavy duty construction and fixed height which raises the tank for use in treatment of the upper extremities.

**Whirlpool Tank** is 25"L x 13"W x 15"D and is seamless welded construction, fabricated from heavy gauge, type 304 stainless steel, polished to a satin finish. Tank rim is reinforced with a concealed stainless steel rod. Tank is fitted with an auxiliary drain valve. Tank bottom is a seamless, rounded covered design to minimize bacteria buildup.

**Heavy Duty Swivel Casters** support all mobile models. Rear pair of casters are lockable for stabilizing whirlpool during treatment.

**Turbine Raising and Lowering Device** permits adjustment of desired height and direction of water agitation towards the area of the body to be treated. It is spring balanced and provided with a locking device.

**Turbine Assembly** functions both as agitator and emptying device. It is equipped with Underwriters Laboratory listed 1/2 HP jet pump motor protected with

an ABS plastic shell, and automatic thermal overload protector, and lifetime-sealed bearings. All parts contacting the water are stainless steel, chrome plated brass or bronze.

**Thermometer** is provided with a dual scale, adjustable calibration, and a stem inserts into a retainer to prevent rattle during whirlpool agitation.

### GUIDE SPECIFICATIONS

Provide Mobile Whirlpool (specify model number and options) with a 15-gallon capacity, 25"L x 13"W x 15"D. Whirlpool shall be fabricated from heavy gauge, type 304 stainless steel. Construction shall be seamless welded and exposed surfaces shall be polished to satin finish. Tank shall have a reinforced rim and shall be fitted with an auxiliary drain valve. Bottom of tank shall be a seamless, rounded covered design to minimize bacteria build up. Whirlpool shall have heavy duty swivel casters with locking device on rear pair of casters. Provide a turbine assembly with raising and lowering device which functions both as agitator and emptying device, permits adjustment of desired height, direction of water agitation, and can be locked into place. Turbine assembly shall be UL listed 1/2 HP jet pump motor with automatic thermal overload protector, and lifetime-sealed bearings. Provide a thermometer with a stem retainer to prevent rattle when whirlpool is in operation.

# Podiatry Whirlpools

## MODEL NUMBER AND OPTION SELECTIONS

### Series

- P Podiatry Series

### Capacity

- 15 Gallons

### Type

- M Mobile Whirlpool
- MH Mobile Whirlpool with Handle
- MU Mobile Whirlpool with Undercarriage

### Suffix Options (See Whirlpool Option Section for Details)

- ADH Auxiliary Drain Hose Assembly
- AHC1 Adjustable High Chair with Casters
- AHC2 Adjustable High Chair with Rubber Tips
- ALC Adjustable Low Chair
- ALS Adjustable Low Stool
- ARS Arm Rest Support

- EG Enviro Glaze Color Powder Coating - Specify Color: \_\_\_\_\_  
(Special Finish Consult Factory)

- GFI Ground Fault Interrupter
- PCS Pump Cover Strainer
- SDP Separate Drain Pump

### Turbine Assembly

Electrical on standard turbine supplied is 115 V 60 Hz  
if 220 V is required please specify:

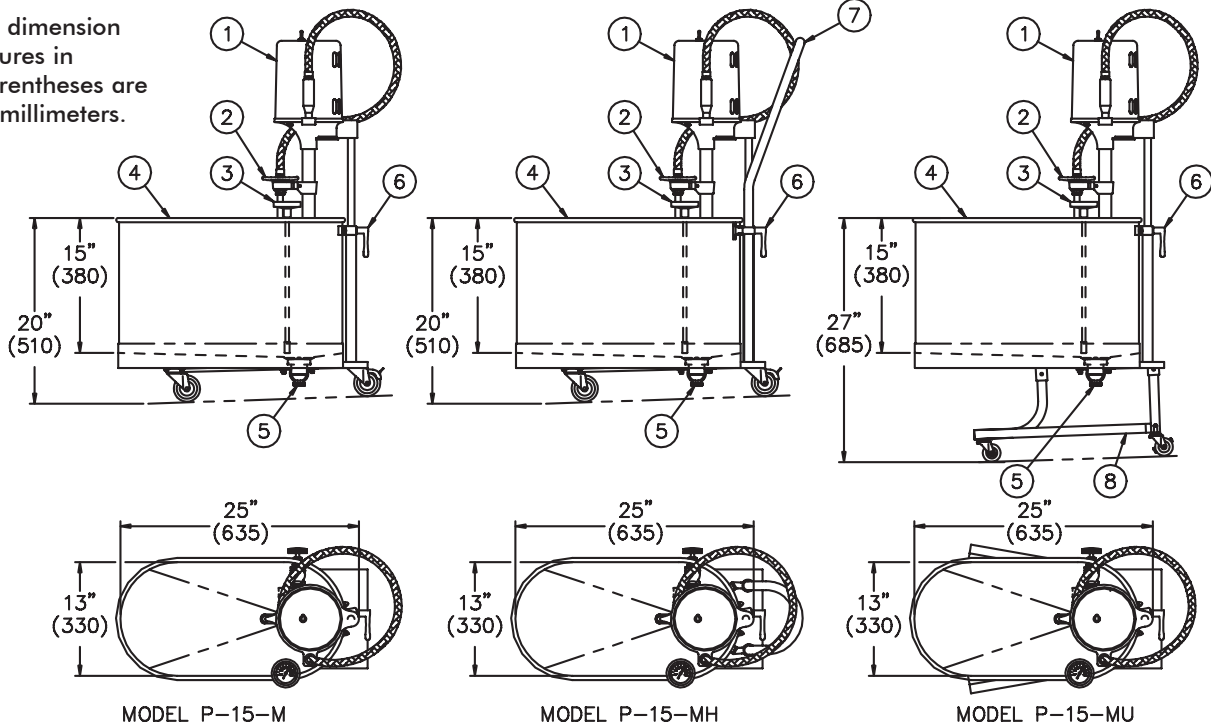
- 50 Hz
- 60 Hz

- HL Hydro Lift (See Page HL)  
Available for P-15-M or P-15-MH

**Note: Electrical requirements are 8 Amps / 115 Volts/ 60Hz/ 3 Pole GFI Receptacle.**



All dimension figures in parentheses are in millimeters.



### NOTES:

- |                               |                                       |
|-------------------------------|---------------------------------------|
| 1. 1/2 hp Jet Pump Motor      | 5. Auxiliary Drain Valve.             |
| 2. Variable Pressure Control. | 6. Turbine Raising & Lowering Device. |
| 3. Thermometer.               | 7. Optional -MH Handle.               |
| 4. Stainless Steel Tank.      | 8. Optional -MU Undercarriage.        |

### MOBILE P-15-M SERIES WHIRLPOOLS

### SELECTION SUMMARY & APPROVAL FOR MANUFACTURING

Model Number & Options \_\_\_\_\_ Quantity \_\_\_\_\_  
 Company \_\_\_\_\_ Date \_\_\_\_\_  
 Contact \_\_\_\_\_ Title \_\_\_\_\_  
 Approval for Manufacturing/Signature \_\_\_\_\_