



ASSEMBLY INSTRUCTIONS

POWER MAT PLATFORM



ASSEMBLY INSTRUCTIONS/POWER MAT PLATFORM

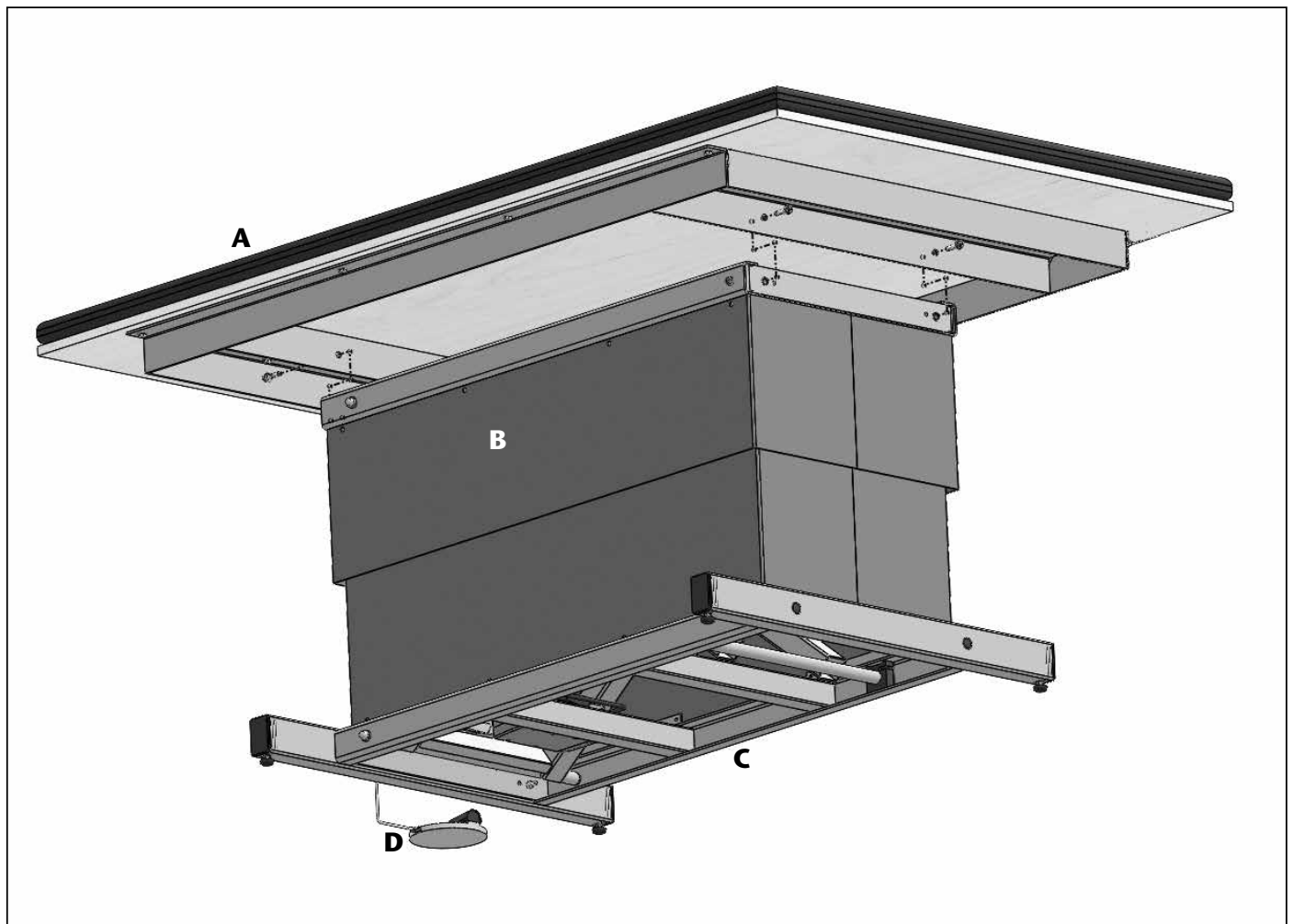
MAXIMUM WEIGHT CAPACITY 600 LBS

Thank you for counting on CanDo® to meet your physical therapy equipment needs by purchasing this fine equipment.

All of our equipment is designed and manufactured to provide years of dependable service because we want you as a customer now and in the future. Below are easy to follow instructions on how to properly assemble your equipment. Please contact us, if you experience any difficulty with the assembly or have questions.

INTENDED USE.

CanDo® Power Mat Platform is specifically designed and engineered for physical therapy use only. Persons using the table should be observed by trained physical therapy personnel while on the platform. Combination of weight and force exerted on the platform is not to exceed a total of 600 lbs. Using this equipment for unintended purposes could result in damage to the equipment and serious physical injury.



Parts

- A. Padded Top
- B. Shroud
- C. Base
- D. Foot Controller

Tools Required

- Socket Wrench

Time Required

- 15–20 Minutes

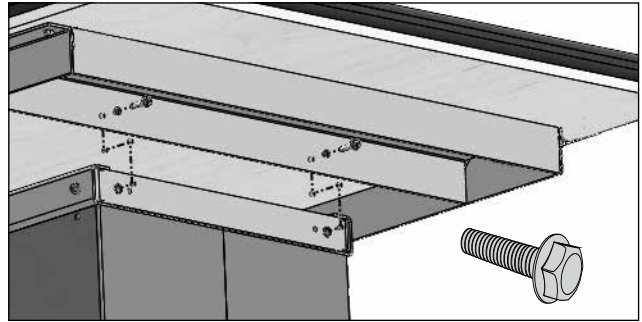
1 After unpacking the base, plug the cordset into a grounded 110v wall outlet. Using the foot pedal, raise the base to its highest position.

2 Remove the plywood shipping supports (1 on each end) using a 1/2" socket wrench. Remove the bolts and SET ASIDE. Discard the plywood supports in a responsible manner.

3 Unpack the top. Using 3 or 4 people and proper lifting techniques. Position the top over the base as shown in the illustration at left.

4 Lower the top onto the base and align the four holes in the base (2 at each end) with the four holes in the top.

5 Allow the top to rest on the base.



6 Working on just one end, elevate the top using help and align the holes on the top with the holes in the base. Insert the bolts removed from the shipping supports and finger tighten. DO NOT FULLY TIGHTEN.

7 Repeat the above step for the opposite end and FULLY TIGHTEN ALL BOLTS.

8 Before use, clean mat platform according to your facility's standards and the cleaning guidelines below.

9 Use table for 30 days and RE-TIGHTEN ALL BOLTS.

FOR SAFETY PURPOSES, TAKE TIME TO CHECK ALL BOLTS TO INSURE THAT THEY ARE SECURELY TIGHTENED AND THAT THE TABLE HAS BEEN PROPERLY ASSEMBLED ACCORDING TO THESE INSTRUCTIONS.

CARE & CLEANING

CanDo® products are built to be durable. With proper care, your mat platform will provide years of superior looks and performance. Clean the mat platform with a soft cloth and any mild cleaning agent that may be required for sanitation. NEVER use abrasive scrubbing agents that may scratch the surfaces. **Before using any cleaning agents, try them on a small inconspicuous area to insure that they will not harm the upholstery or any other surface.** Damage from cleaning is not covered under the warranty. **Do not use alcohol based cleaning agents.** Periodically check that all fasteners are secure and operating properly.

WARRANTY

The manufacturer warrants products to be free of defects in materials, workmanship or design under normal use for five years on all products, from the date of purchase. This warranty does not include damage resulting from accident, abuse or misuse, alteration, or negligence of the product and expressly excludes normal wear of parts (including but not limited to vinyl). Contact us for full warranty details.