

Positioning tilt-in-space Chair

# Optimum Posturo-pedic

Series 1400

FOCUSED ON WHAT MATTERS



SPECIALTY  
HEALTHCARE  
SEATING



USER'S MANUAL

[lpamedical.com](http://lpamedical.com)

2527, avenue Dalton, Québec (Qc) G1P 3S6  
T 418 681-1313 1 800 663-4863 F 418 681-4488

# A WORD OF THANKS

Congratulations and thank you for purchasing your chair from LPA Medical.

Since 1989, LPA Medical has been dedicated to design and manufacture chairs to meet the most demanding requirements of the healthcare community. Our products are designed with comfort and durability in mind for both long-term and short-term uses. We are proud to manufacture quality products that incorporate advanced features within an aesthetic design that is centered around the user's dignity and well-being.

Please read this instruction manual carefully and consult it often to maximize the benefits your LPA chair will provide.

If you have any questions after reading it, do not hesitate to contact your LPA representative or contact us directly via our website.

We hope you enjoy your LPA Medical chair and we thank you for your business.

Bryan Welch  
President

LPA Medical inc.  
2527 avenue Dalton,  
Québec, QC, Canada G1P 3S6

T: 418-681-1313  
F: 418-681-4488  
Toll free: 1-800-663-4863

info@lpamedical.com  
www.lpamedical.com

# TABLE OF CONTENT

A Word of Thanks.....	2
Replacement Parts Availability Policy.....	3
General Information.....	4
Definitions.....	4
Safety Measures.....	5
Applications.....	5
Inspection before Use.....	6
Risk Prevention.....	6
Improper Uses.....	7
Cleaning.....	7
Maintenance.....	7
Adjustment and Operating Instructions.....	8
Wheels.....	8
Seat Depth.....	10
Tilting.....	11
Elevating Legrest.....	13
Backrest.....	16
Adjustable and Retractable Armrests.....	18
Articulated Headrest.....	19
Adjustable Side Wings.....	20
Lateral Trunk Supports.....	22
Terms & Conditions.....	23
General.....	23
Damaged Freight.....	23
Returns.....	23
General Warranty.....	24
What LPA Medical will Cover.....	24
Exclusions.....	25
List of Parts.....	26
Exploded View.....	28

## REPLACEMENT PARTS AVAILABILITY POLICY

LPA Medical's replacement parts availability policy ensures parts for at least 10 years after the purchase of your LPA product, which makes it:

- An eco-friendly purchase. If something breaks, you know that replacement parts will be available for a long time. Why throw away your chair when it can be repaired?
- A smart purchase. You're looking at substantial savings because of the increased durability of your LPA chair.

In addition, we are proud to provide one of the most complete warranty on the market.

# GENERAL INFORMATION

This document is a guide for the use and maintenance of your LPA chair. It is important that anyone using the chair reads it in its entirety.

It is the responsibility of caregivers, including family or loved ones using this chair, to follow the instructions in this manual at all times and to ensure proper care and maintenance of the LPA chair.

LPA Medical Inc. accepts no responsibility for any breakage, incident, injury, damage or accident caused by an error of use, negligence to maintain the chair and maintain it in a safe and functional state, through any unauthorized modification of the chair, failure to follow instructions in this instruction manual or any other use deemed abnormal.

LPA products are not designed to be pressure washed or washed in automatic wheelchair washers. LPA products are not designed to be used outdoors or to be used in the shower.

## DEFINITIONS

### **Geriatric chair**

A chair designed to meet the comfort and mobilization needs of older people who have a significant loss of autonomy.

### **Positioning chair**

A chair that helps ensure proper posture through its many adjustments and accessories, to help prevent pressure sores and falls.

### **Tilt**

A function enabling the seat-backrest to tilt together.

### **Backrest angle**

A function that changes the backrest angle relative to the seat.

### **Legrest elevation**

A function that controls the legrest angle relative to the seat.

### **Footrest compensation**

The footrest position adjustment function relative to the legrest angle.

### **Patient**

The chair's end-user; the person receiving the care.

## SAFETY MEASURES


Chair assignment, positioning adjustments and mobilization handling must be performed by professionals who have been trained for this purpose.


Before using the chair, caregivers must have received adequate training from an LPA Medical representative or a trained third party. This instruction manual will be used as a reference for continuing education.

It is strongly recommended to appoint a caregiver responsible for training and maintaining an up-to-date list of those who have received training. For the patient's safety, anyone who has not received adequate training should not be allowed to use the chair.

## APPLICATIONS

The Optimum chair is dedicated to long-term and short-term care for patients with loss of autonomy or in rehabilitation, who need help with positioning and/or changing their posture. Assignment and initial configuration must be done by qualified professionals.

 The Optimum 1400 chair is not designed to be cleaned with a pressure washer or an industrial washing machine. Such practices can lead to component rust and void warranties. In addition, LPA chairs are not designed for outdoor use.

 The Optimum 1400 chair must be used with accessories specifically designed for it by LPA Medical Inc. It must be used in accordance with recognized health and safety practices.

## INSPECTION BEFORE USE

The chair is shipped fully-assembled. It must be inspected when unpackaged and you must notify your supplier if there is any damage or missing parts/accessories so that corrections are made before taking possession.

## RISK PREVENTION

Always apply the brakes when the wheelchair is not moving and for any transfer or repositioning maneuver. The same rule applies for an empty chair.

To prevent slippage when the patient is in the chair, it is important that the seat is tilted back at an angle appropriate to each case. The footrest must also be properly positioned under the feet for the same reason.

In situations involving an agitated patient, the tilt should be used properly to prevent the risk of upsetting the balance of the chair. In addition, the chair must not be within reach of railings, bed rails or fixed objects that the patient could grab and cause themselves to upset the balance of the chair and cause a fall. Note that in these situations, the patient should always be under proper supervision.

To prevent injuries when tilting, backrest, and footrest functions are used, make sure that:

- The brakes are applied.
- The patient's arms are inside the armrests.
- The patient's legs are properly positioned in the center of the footrest.
- Only one function is used at a time.
- There are no pinch points.

These measures are necessary for the safety of both the patient and the caregiver.


Use of a table for restraint purposes is prohibited and may result in strangulation and even death. Only the used of approved and prescribed restraints is acceptable.

## IMPROPER USES

- Manipulating the chair without proper training.
- Wheeling the chair outside of designated areas.
- Wheeling the chair without using the directional wheel.
- Using it for a patient without professional approval.
- Making adjustments that require frequent repositioning.
- Leaving a patient in an unsafe area or without supervision.
- Using it as a shower chair.
- Exceeding the recommended weight limit.
- Allowing a patient to stand on the footrest.
- Moving the chair without disengaging the brakes.
- Not adjusting the length of the footrest based on the leg support angle.
- Reclining the backrest without changing the tilt angle of the seat.

## CLEANING

The chair's coverings must be cleaned according to the manufacturer's directions. Check with your supplier to ensure that your cleaning products are suitable.

-  The chair should not be pressure washed or placed inside a washing machine. These practices may cause the chair components to rust internally, as well as deteriorate the adjustment components, thus voiding the LPA chair warranty.

## MAINTENANCE

As long as the use and cleaning recommendations are followed, the Optimum chair does not require preventive maintenance. You may need to replace some parts due to normal wear after years of use.

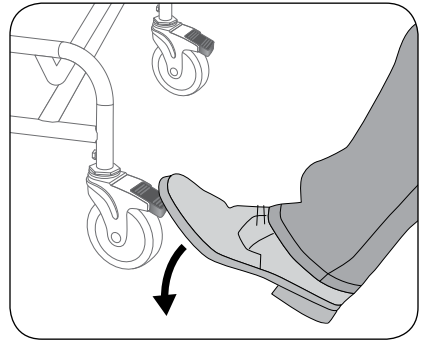
# ADJUSTMENT AND OPERATING INSTRUCTIONS

## WHEELS

The Optimum 1400 is equipped with 3 casters with red lever-activated brakes and a green lever-activated directional wheel.

### Applying the brakes

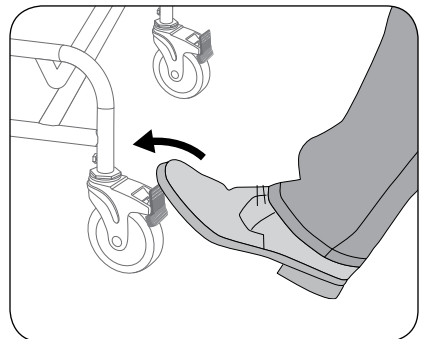
1. Apply pressure with your foot at the edge of the red activation levers on the two rear wheels and front left wheel.



**⚠ WARNING: BEFORE HANDLING OR ADJUSTING, ALL 3 BRAKES MUST BE APPLIED WHEN THE CHAIR IS NOT BEING USED FOR TRANSPORTATION TO ENSURE ITS STABILITY.**

### To disengage the brakes

1. Use your foot and apply pressure at the top of the red activation levers on each of the 3 wheels.



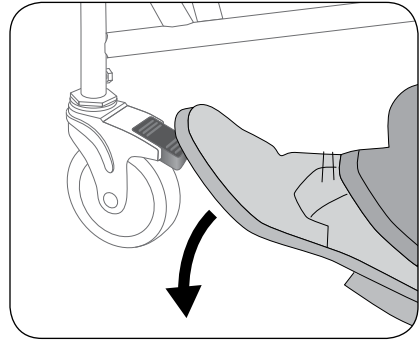
**⚠ WARNING: DO NOT MOVE THE CHAIR WHEN THE BRAKES ARE APPLIED. DAMAGE, INJURY OR DEATH COULD RESULT.**



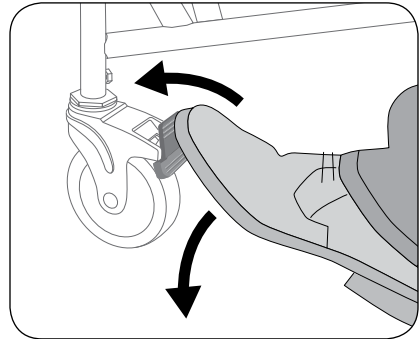
## Using the directional wheel's activation lever


The directional wheel is located on the front right and has a green activation lever.

1. Apply pressure with your foot on the lower end of the green activation lever to fix the direction.



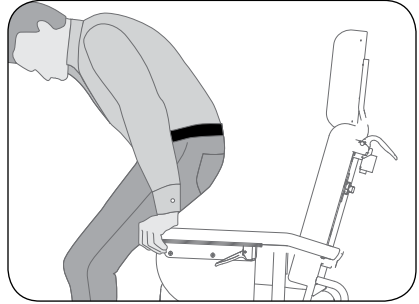
2. Apply pressure with your foot on the top of the green activation lever to release the direction.



 The directional wheel function enables you to push the chair in a straight line over longer distances. Its front position allows you to maneuver the chair with a minimum risk of injury to the caregiver. Driving a wheelchair using the rear wheels to initiate turns requires some practice but it ensures that the patient's weight has little impact on the effort required to turn. Keep in mind that you only need to initiate a turn when the front half of the chair has passed the intersection. In addition, always keep at least 12 inches (30 cm) away from walls to ensure you have the necessary room to correct your path.

## SEAT DEPTH

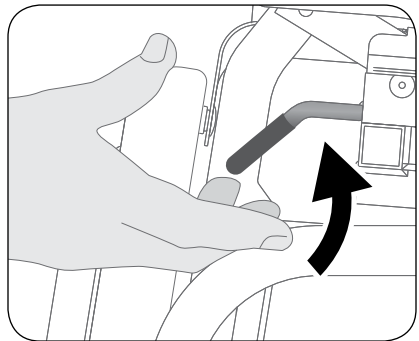
A positioning professional must adjust the seat depth beforehand according to the person's morphological measurements.



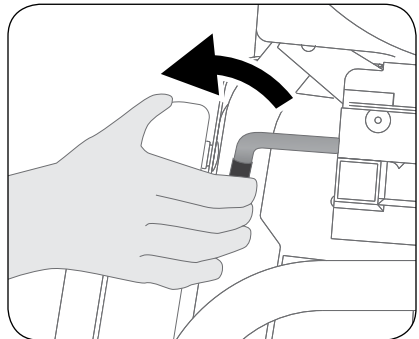
**! WARNING: THE BRAKES MUST BE APPLIED BEFORE ANY HANDLING.**

### Seat depth adjustment

1. Pull the activation lever located at the front left of the seat.



2. Hold the activation lever forward and move the seat forward or backward to obtain the required depth.



3. Release the activation lever.

This adjustment should remain the same until assignment to a new person.

**✓ The proper depth ensures comfort, correct positioning and prevents the patient from slipping.**

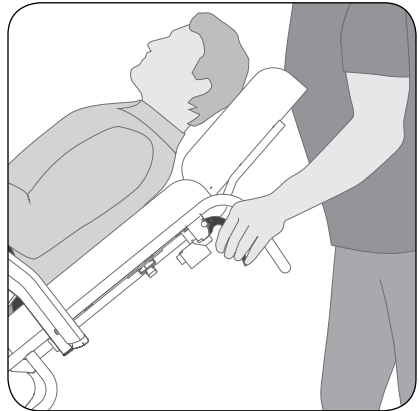
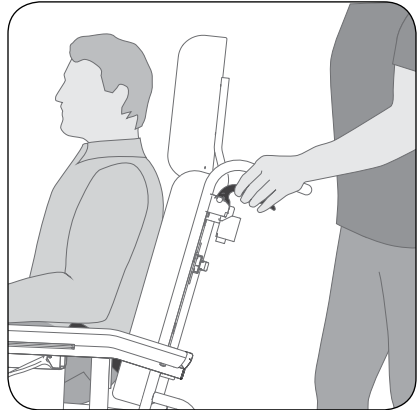
## TILTING

The seat tilts in conjunction with the backrest and the armrests.

A gas cylinder under the seat is connected to three activation levers. One lever is located on the far left on the push bar, and the others are under each of the armrests. These enable 0 to 30-degree tilt in strategic positions to enable visual contact with the patient and to help prevent injuries to the workers.

### VARIATION: Tilting from behind

1. Explain the maneuver to the patient before doing it.
2. Grab the push bar with your right hand.
3. Use your left hand to pull the far-left activation lever and apply the necessary downward pressure with both hands to tilt the chair.
4. Keep both hands on the push bar and push smoothly while the activation lever is pressed.

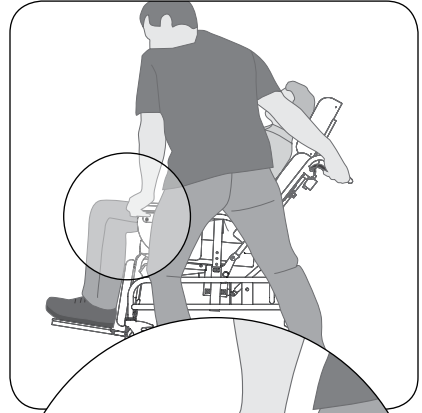


**i** If this manoeuvre requires too much effort, tilt the backrest first to distribute the patient's weight over both sides of the tipping point. Refer to page 16 for the procedure. You can straighten the backrest when the desired tilt angle is reached.

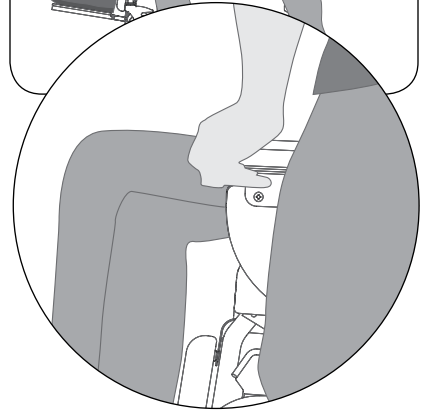
## TILTING (continuation)

### VARIATION: Tilting from the side

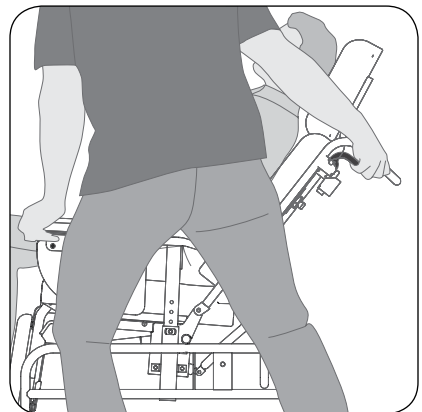
1. Stand on the left side of the chair at the patient's side.




2. Grasp the front of the armrest with your left hand.



3. Using your right hand, activate the activation lever on the far left of the push bar. You can use the strength of your legs to tilt from 0 to 30 degrees.



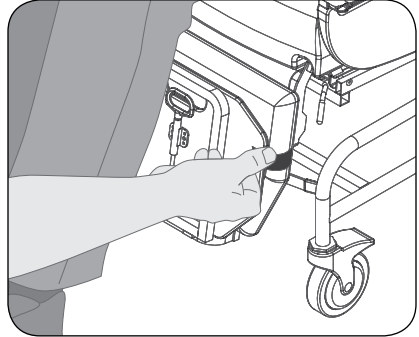
 The tilt is intended to change the person's position in order to adjust pressure to prevent redness and pressure sores.

## ELEVATING LEGREST

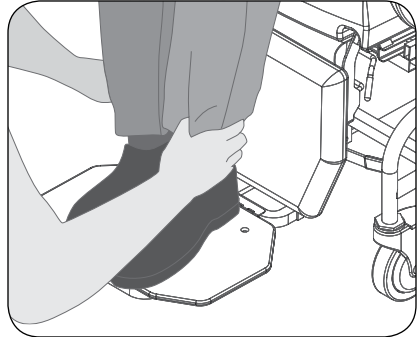
The angle of the elevating legrest can be adjusted from 80 to 132 degrees. It is equipped with cushioned calf pads and an adjustable full-width footrest.

### Legrest use and adjustment

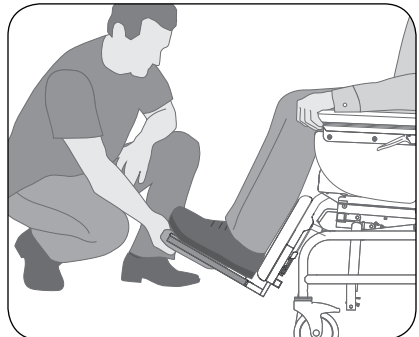
1. Lift the patient's legs slightly.



2. Detach the restraining strap from the footrest and lower it.



3. Place the patient's feet on the footrest.



4. Pull the D-shaped activation handle in the centre to adjust to the desired angle.

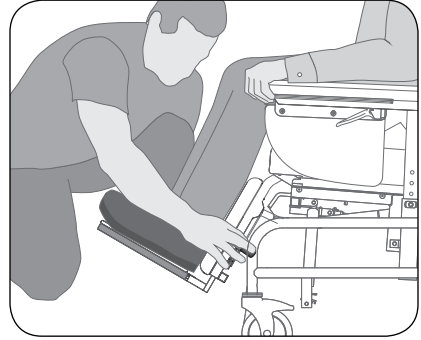
**i** A gas cylinder under the legrest controls this function.

## ELEVATING LEGREST (continuation)

### Length compensation based on the angle

---

1. Use the rack-and-pinion activation lever located on the left side of the calf supports to lengthen the legrest by moving the footrest.

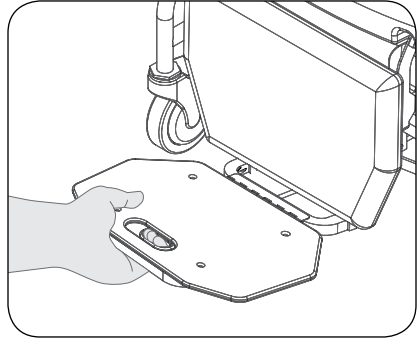


- i** Note that the lengthening must be proportional to the angle selected. The right configuration keeps the thighs on the seat and the feet flat on the footrests. Over compensating may cause the person to slip and compromise proper positioning.
- ✓** When raising the legrest, it is normal for the occupant's knees to rise. It is important that the thighs remain in contact with the seat to avoid unnecessary pressure and to provide comfort.

### Legrest storage for upright transfer

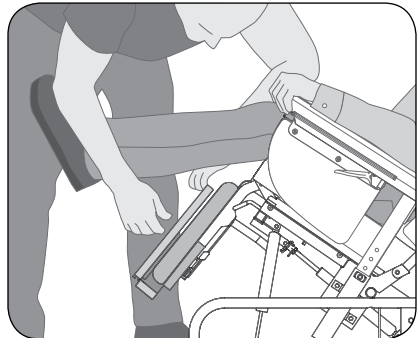
---

1. Pull the D-shaped activation handle.



2. Push the legrest using the open footrest.

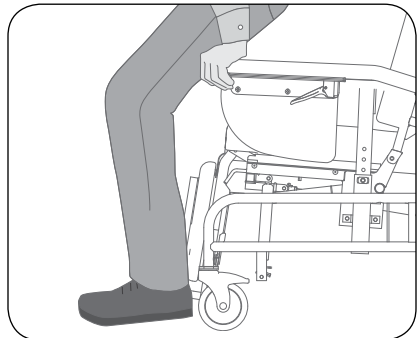
3. Push under the seat as much as possible.



4. Lift the person's legs slightly so that you can fold the footrest.

5. Shorten the legrest as much as possible pulling it upwards while holding the lever.

6. Re-attach the retaining strap.



7. Place the patient's feet on the ground and proceed with the transfer.

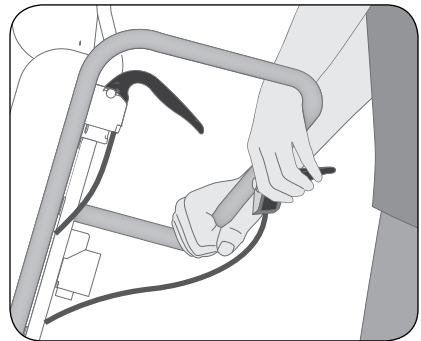
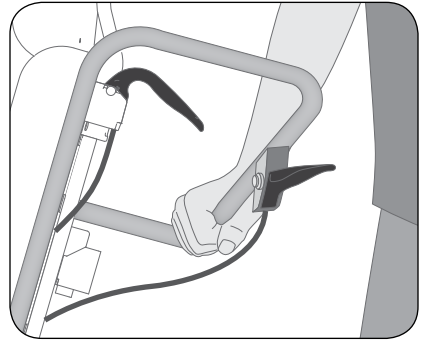
## BACKREST

The backrest angle improves the Optimum chair's comfort for resting periods. It can be adjusted from 102 to 145 degrees from the seat and 175 degrees from the ground if the tilt is at its maximum.

- i** It is important to tilt the chair before tilting the backrest to prevent the patient from slipping.
- i** A gas cylinder under the seat is connected to the activation lever located at the rear centre of the push bar. It is equipped with a positional ring on the rod of the cylinder, giving the option to limit the backrest recline angle according to the prescribing professional's instructions.

### Reclining the backrest

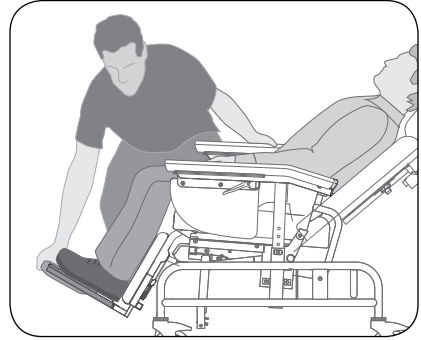
1. Explain the maneuver to the patient.
2. Ensure that the seat tilt is adequate to prevent the patient from sliding forward.
3. Grasp the push bar securely before pressing the central activation lever. This way of doing things prevents sudden movement that can surprise the occupant.
4. Press the activation lever while holding the backrest.
5. Recline the backrest to the desired angle.
6. Release the lever when the desired angle is reached.



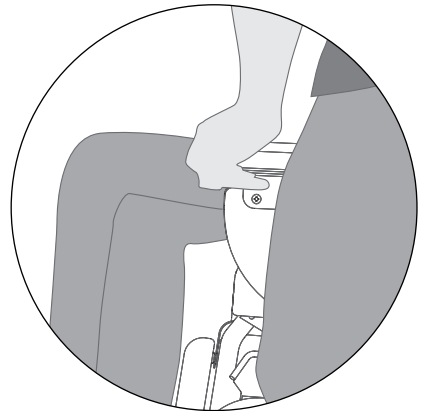


### Returning the backrest

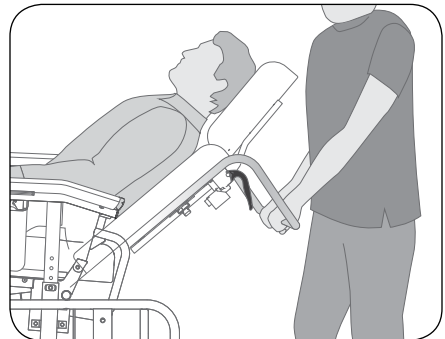
1. Stand on either side of the chair.
2. First, reduce the seat tilt to approximately 5 to 7 degrees from the floor (especially if the backrest is at full tilt or the patient is heavy).



3. If you are on the left of the wheelchair, press the activation lever under the armrest with your right hand while tilting the wheelchair forward by exerting pressure on the armrest with your left hand.



4. Go stand behind the chair.
5. Grasp the push bar with your right hand before pressing the central activation lever with your left hand.
6. Bring the backrest up gently.



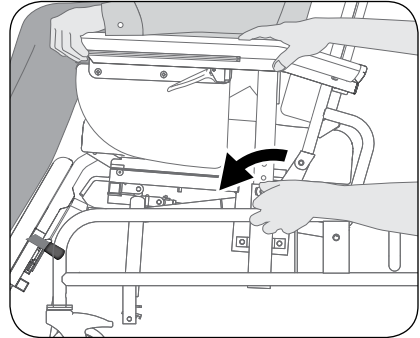
 Remember to lift with your knees instead of bending your back.

## ADJUSTABLE AND RETRACTABLE ARMRESTS

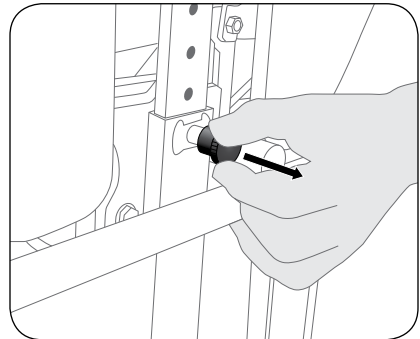
The armrests are height-adjustable from 3 1/2" (9 cm) to 8 1/2" (21.5 cm) from the seat in 1" (2.5 cm) increments. They can also be lowered to the seat level to facilitate transfers and patient access.

### Height adjustment and full clearance

1. On the armrest support, unlock the pull spring by unscrewing the black knob about 2 rotations, while holding the armrest with your other hand.

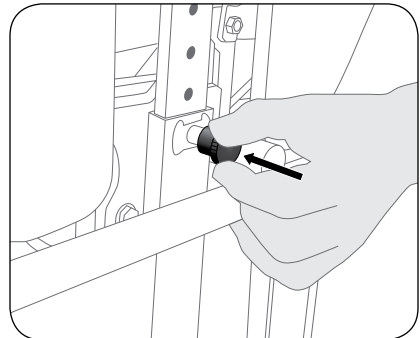


2. Pull the black knob to release the adjustable armrest's safety lock.



3. Adjust the armrest to the desired height.

4. Release the knob, ensuring that the safety lock fits properly into a hole on the armrest.



5. Re-tighten the knob and stabilize the armrest.

**i** To clear the seat completely, lower the armrest down until it reaches the bottom and that the top of the armrest is flush with the top of the seat cushion.

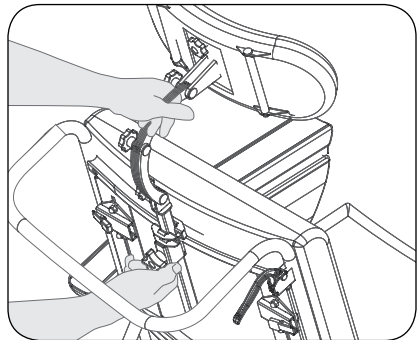
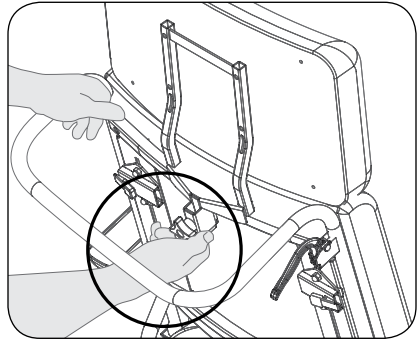
# ARTICULATED HEADREST

The Optimum 1400's optional articulated profiled headrest provides precise positioning for the head. It can be easily adjusted to meet most positioning needs. It is easily removable for transfer maneuvers.

**⚠ IMPORTANT: ALWAYS REMOVE THE HEADREST WHEN USING A TRANSFER AID. FAILURE TO DO SO MAY RESULT IN DAMAGE, INJURY OR DEATH.**

## Headrest installation

1. At the back of the backrest, loosen the knob on the top bracket.
2. Remove the top of the backrest holding both sides.
3. Slide the square shaft of the profiled headrest into the support bracket.
4. Loosen the memory ring on the shaft and tighten the spline knob on the docking bracket to lock the headrest at the proper height.
5. Tighten the memory ring on the shaft to lock the configuration in.



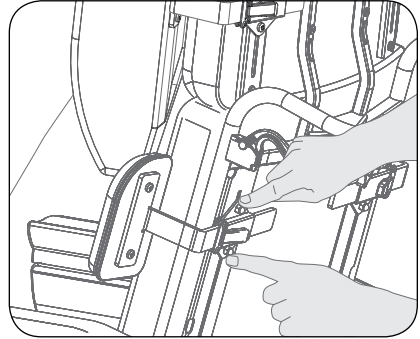
- i** Use the three knobs on the plates that connect the headrest to the chair for adjustment.
- i** The cushioned headrest is mounted on three hinged plates that can change in profile and position. The two outer plates are connected to the central one and can be moved. These are adjusted at the factory to provide adequate resistance to adjustments but can be tightened or loosened as needed.
- i** A fourth knob behind the headrest enables you to move it laterally.

# ADJUSTABLE SIDE WINGS

The optional adjustable side wings are adjustable both in height and width.

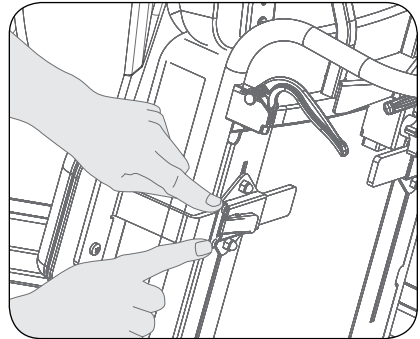
## Side wing installation

1. Insert the flat bar of the side wing into the mounting clip behind the upper section of the backrest, orienting the long, narrow part of the side wing downwards.



2. Push until the retainer lever clicks into place.

3. Proceed in the same way with the other side wing. Ensure that both levers hold the wing effectively.

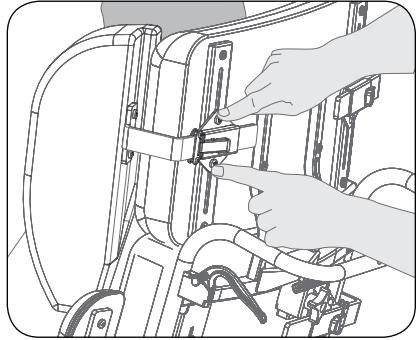


4. The side wings were designed to support the upper body.

## ADJUSTABLE SIDE WINGS (continuation)

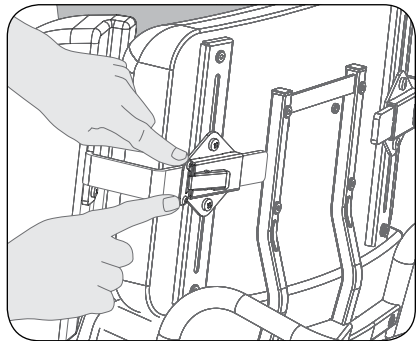
### Height adjustment

1. Loosen, but do not remove the two nuts from the flanges, so that they can be moved into the sliders of the upper section of the backrest.
2. Set at the appropriate height.
3. Retighten the nuts.



### Width adjustment

1. Loosen the two screws on the flat bar latch without removing them when the side wing is in place until it can be moved laterally.
2. Set the appropriate width.
3. Retighten the screws.

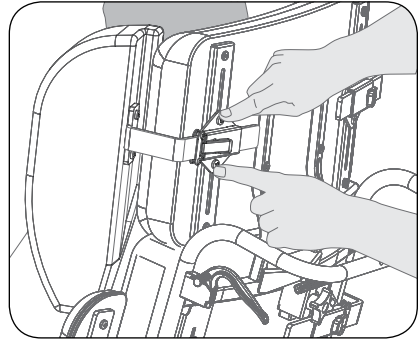


# LATERAL TRUNK SUPPORTS

The optional lateral trunk supports are attached to the backrest structure and provide support to the chest by means of pivot-mounted cushions.

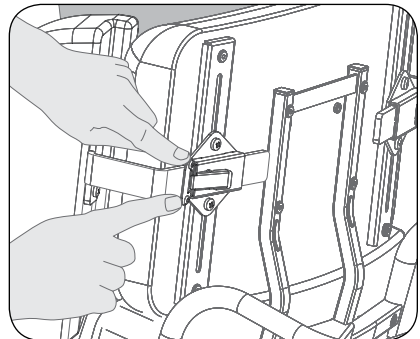
## Height adjustment


1. Loosen, but do not remove the two nuts from the flanges, so that they can be moved into the sliders of the upper section of the backrest.
2. Set at the appropriate height.
3. Retighten the nuts.




## Width adjustment

1. Loosen the two screws on the flat bar latch without removing them when the side wing is in place until it can be moved laterally.
2. Set the appropriate width.
3. Retighten the screws.



 The lateral trunk supports float to avoid creating pressure points.

 **ATTENTION: LATERAL TRUNK SUPPORT ADJUSTMENT MUST BE DONE BY A POSITIONING PROFESSIONAL. IMPROPER ADJUSTMENT COULD CAUSE INJURY TO THE USER.**

# TERMS & CONDITIONS

APPLICABLE TO PRODUCTS SOLD AFTER SEPTEMBER 1<sup>ST</sup> 2018

## GENERAL

All items & prices listed are subject to change without notice. We reserve the right to change and/or improve any product as deemed advisable without notification. Shipments will be made at prevailing prices at time of shipment. Additional freight fees at delivery may apply such as handling and/or liftgate and is the sole responsibility of the buyer unless otherwise specified beforehand.

Minimum order requirement is \$25.

## DAMAGED FREIGHT

LPA SPECIALTY HEALTHCARE SEATING can not accept claims for merchandise that has been damaged in transit. Examine all merchandise upon delivery. If damage has occurred, it is the person receiving the goods' responsibility to file a claim with the carrier immediately.

Failure to notify carrier and LPA SPECIALTY HEALTHCARE SEATING in writing of any damages during freight within 5 business days of delivery voids the LPA warranty.

## RETURNS

Merchandise to be returned must have prior written authorisation from our Customer Service Department. All request must include the following information:

- Reason for requested return.
- LPA invoice or acknowledgement number.
- LPA model or part number and number of cartons and items being returned.
- Number of items returned.

Unauthorised returns will not be accepted. All authorised returns must be shipped pre-paid except where there has been an error in processing or a defect in materials or workmanship, in which case Customer Service will issue special instructions.

## GENERAL WARRANTY

The LPA SPECIALTY HEALTHCARE SEATING warranty covers **all manufacturing defects, for the original purchaser/user**, except the exclusions listed in the section below, starting at the date of purchase:

Limited lifetime\* Warranty on metal frame and cross braces.

5 years for wood structure on Thera-Glide® self-locking gliders models W and T.

3 years for all Thera-Glide® self-locking glider back rest mechanisms.

3 years on upholstery.

2 years for all other mechanisms, gas spring cylinders or mechanical lock, control cable, wheels & casters, tray. 1 year on all accessories purchased separately from seating and replacement parts.

If service is required under this warranty, contact our Customer Service Department in writing, giving the following information:

1. Model or part number involved.
2. Date of purchase, including LPA MEDICAL invoice or acknowledgement number.
3. A description of the problem.

\* Useful Lifetime of LPA SPECIALTY HEALTHCARE SEATING products is 10 years from date of purchase.

## WHAT LPA MEDICAL WILL COVER

LPA SPECIALTY HEALTHCARE SEATING commits to making spare parts available for 10 years after the purchase of your product. LPA retains the right to supply updated or refurbished parts as replacement.

LPA SPECIALTY HEALTHCARE SEATING will repair or replace at no charge the defective product or parts during the warranty period. The decision to repair or replace a product is solely at the discretion of LPA. LPA SPECIALTY HEALTHCARE SEATING reserves the right to supply refurbished parts to cover some warranty items.



## **EXCLUSIONS**

- Normal wear and tear.
- Accidental damage including fire and water.
- Fabric facing and metal oxidation (rust), including damages caused by power washers and wheelchair washing machines.
- Unauthorized modifications or repairs made or attempted.
- Damage resulting from abuse, abnormal or unreasonable use.

# LIST OF PARTS

#	Code	Description
1	1B3600	Thoracic Support, with Hardware
2	B2-17-DR	Side Booster Cushion, Right
3	B2-17-GA	Side Booster Cushion, Left
4	1B4100	Side Booster Support
5	OP-0810	Adjustment Receptacles, with Hardware
6	AB-07	Cervical Bracelet Support for 1400, Black
7	B2-14	Adjustable Headrest Cushion
8	1B2900	Support for Adjustable Headrest, with Hardware
9	SU-05	Black Polyurethane Arm Support
10	CU-07-R	Elbow Cushion, Right
11	CU-07-L	Elbow Cushion, Left
12	XRE71097-02	Elbow Board
13	XH0421019	Support for Elbow Support, with Hardware
14	B2-03-18	Removable Back Up Cushion for 1400 - 18", with Hardware
15	B2-03-20	Removable Back Up Cushion for 1400 - 20", with Hardware
16	B2-03-22	Removable Back Up Cushion for 1400 - 22" and 24", with Hardware
17	1B2800	Support for Removable Back Up Cushion
18	XPE65052R	Slide Tip for Table, Right
19	XPE65052L	Slide Tip for Table, Left
20	PV7850102R	Slider for Table, Right
21	PV7850102L	Slider for Table, Left
22	1C2500-DR	Support for Arm Support, Right, with Hardware
23	1C2500-GA	Support for Arm Support, Left, with Hardware
24	B2-02-18	Back Cushion for Optimum 1400 - 18", with Hardware
25	B2-02-20	Back Cushion for Optimum 1400 - 20", with Hardware
26	B2-02-22	Back Cushion for Optimum 1400 - 22" and 24", with Hardware
27	1B2418	Back Structure for Optimum 1400 - 18", with Hardware
28	1B2420	Back Structure for Optimum 1400 - 20", 22" and 24", with Hardware
29	C2-80D	Lateral Panel Optimum 1400 - Right, with Hardware
30	C2-80G	Lateral Panel Optimum 1400 - Left, with Hardware
31	QCL50002	Straight Handle and Short Cable, with Hardware
32	1A1400A	Base Pivot, with Hardware
33	A2-01-18	Curved Seat Cushion for Optimum 1400 - 18"
34	A2-01-20	Curved Seat Cushion for Optimum 1400 - 20"
35	A2-01-22	Curved Seat Cushion for Optimum 1400 - 22" and 24"

#	Code	Description
36	QCL50003	Curve Handleand Long Cable, with Hardware
37	QCL50001	Straight Handleand Long Cable, with Hardware
38	1C1300	Arm Support Support, with Hardware
39	1A2418	Seat Suspension Support for Optimum 1400 - 18"
40	1A2420	Seat Suspension Support for Optimum 1400 - 20"
41	1A2422	Seat Suspension Support for Optimum 1400 - 22" and 24"
42	1A1118	Seat Sliding Frame Assembly for Optimum 1400 - 18"
43	1A1120	Seat Sliding Frame Assembly for Optimum 1400 - 20"
44	1A1122	Seat Sliding Frame Assembly for Optimum 1400 - 22", 24"
45	1E2418	Seat Base Assembly for Optimum 1400 - 18 "
46	1E2420	Seat Base Assembly for Optimum 1400 - 20 "
47	1E2422	Seat Base Assembly for Optimum 1400 - 22 " and 24"
48	1A1600	Seat Latch for Optimum 1400
49	D1-24	Lever & Cable Acitvation Foot Support
50	D1-27-N	Support Foot Plate for Optimum 1400 - 18 " and 20", with Hardware
51	D1-25-N	Support Foot Plate for Optimum 1400 - 22 " and 24", with Hardware
52	D2-01-18	Calf Support Cushion - 18 "
53	D2-01-20	Calf Support Cushion - 20 ", 22" and 24"
54	1D1400	Assembly Of Mollet Support and Footrest for Optimum 1400
55	1D2418	Leg/Calf Support for 1400 - 18"
56	1D2420	Leg/Calf Support for 1400 - 20", 22" and 24"
57	1D1117	Mollet Support Handle for Optimum 1400 - 18"
58	1D1120	Mollet Support Handle for Optimum 1400 - 20"
59	QWE05017	5 " Wheel - Total Lock
60	QWE05018	5" Wheel - Directional Barrel
61	D2-20	Block-0-Lift Gas Cylinder, 120Mm Race
62	B2-30	Block-0-Lift Gas Cylinder, 120Mm Race
63	ACP-03-17	Thermoformed Tablet for Optimum - 18"
64	ACP-03-20	Thermoformed Tablet for Optimum - 20"
65	ACP-03-24	Thermoformed Tablet for Optimum - 24"
66	1B4018	Table Support 18"
67	1B4020	Table Support 20"
68	1E1800	Fixing for Solute Rod for Optimum 1400
69	1E1600	Solute Rod Extension for Optimum 1400
70	1E1601	Solute Rod Section for Optimum 1400

# VUE ÉCLATÉE EXPLODED VIEW

