

Security Pole

Assembly Instructions:

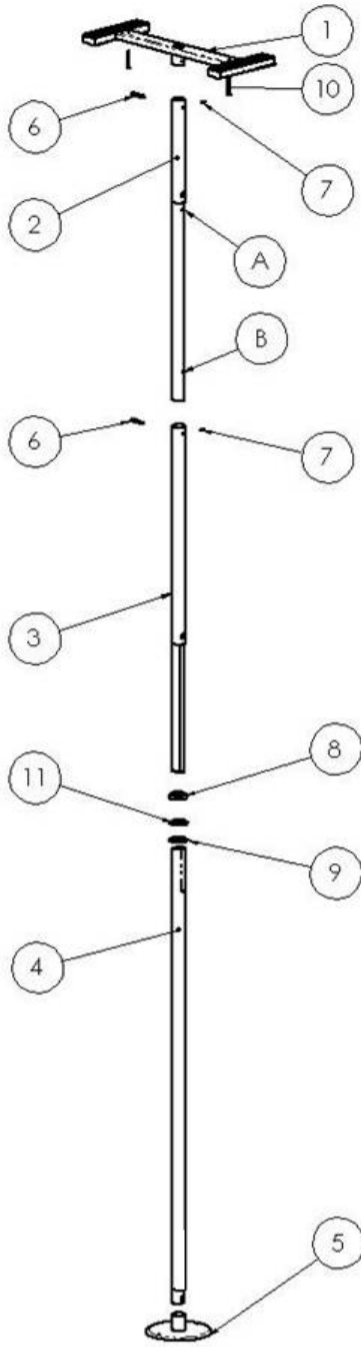


FIGURE 1

NOTE: The Security Pole is designed to be used with ceiling heights that range from 7 to 10 foot ceilings.

Determine where you plan to use this product and the height of the ceiling before continuing the assembly process.

1. Take all parts out of the box and lay them on a flat surface as shown in Figure 1.
2. If you have a 7 foot ceiling, do not use Extension Tube (ITEM-2). Attach the Upper Frame (ITEM-1) directly to ITEM-3 by aligning the holes in ITEM-1 and ITEM-3 and inserting the Clevis Pin (ITEM-6) through the holes. After the Clevis Pin is inserted, place the Cotter Pin (ITEM-7) through the hole of the Clevis Pin and bend the end of the Cotter Pin to secure the Clevis Pin as shown in Figure 2.
3. If you have an 8 to 10 foot ceiling, attach the Upper Frame (ITEM-1) to the Extension Tube (ITEM-2) by aligning the holes and inserting the Clevis Pin and Cotter Pin as shown in Figure 2.
4. The Extension Tube (ITEM-2) has 2 sets of holes marked "A" and "B" in Figure 1. The set of holes marked "A" are for an 8 foot ceiling. The set of holes marked "B" are for a 9 or 10 foot ceiling.

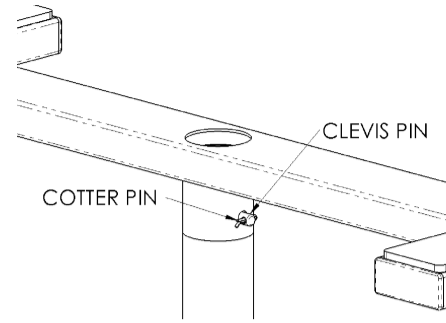


FIGURE 2

5. Attach the Extension Tube (ITEM-2) to (ITEM-3) by aligning the appropriate ceiling height set of holes, marked "A" or "B" of (ITEM-2) with the mating holes in the Upper Tube (ITEM-3) and inserting the Clevis Pin and Cotter Pin as previously done in Step 2.
6. Attach ITEM-5 to ITEM-4, as shown in Figure 1, by aligning the slots in ITEM-4 with the internal pin in ITEM-5 so the slots straddle the internal pin to prevent rotation between ITEM-5 and ITEM-4, and as shown in Figure 3.

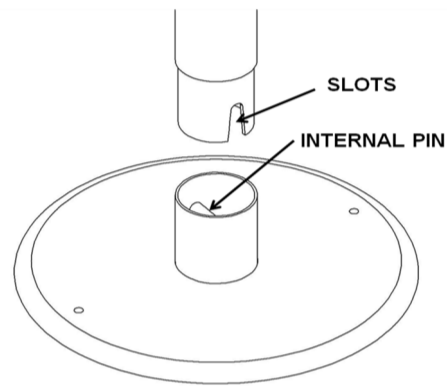


FIGURE 3

7. Insert the threaded portion of ITEM-3 into ITEM-4 and place the Safety Pole in the desired location with ITEM-5 on the floor and ITEM-1 on the ceiling.

NOTE: Make sure the Plastic Washer (ITEM-11) is placed between the Adjustment Nut (ITEM-8) and the Washer (ITEM-9) as shown in Figure 1 before inserting ITEM-3 into ITEM-4.

8. Secure the Safety Pole between the floor and the ceiling, the Adjustment Nut (ITEM-8) must be tightened in a clockwise direction with the included wrench (Item not shown). Tighten the lower Adjustment Nut until the Safety Pole is secured between the floor and the ceiling.

NOTES:

If the Safety Pole does not appear to be securely fastened between the floor and ceiling, loosen the Adjustment Nut (ITEM-8) and make sure the length of the Safety Pole is perpendicular to the floor and ceiling before tightening the Adjustment Nut (ITEM-8) again as previously done in Step 7. If additional securing is needed, four Wood Screws (ITEM-11) can be installed into the ceiling joists and floor as shown in Figure 4.

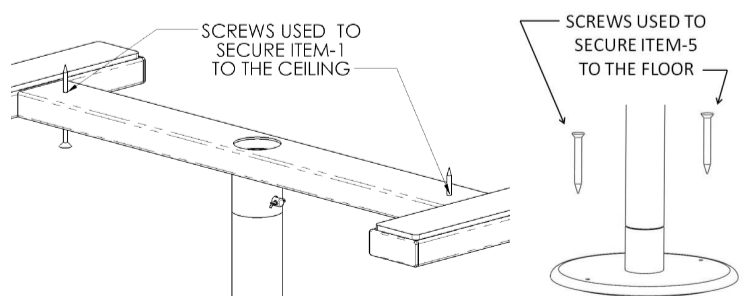


FIGURE 4

WARNING: Please read before using this product.

1. Serious injury or death can result if the Safety Pole is not properly installed. Standers Inc. is committed to providing safe products and informing the user of ways to prevent accidents.

SAFETY PRECAUTIONS:

- ✓ Regularly check the Security Pole to make sure the pole is tightly secured between the floor and ceiling.
 - ✓ Make sure the Security Pole axis is installed at 90 degrees relative to the floor. All protective rubber pads must be in contact with the floor and the ceiling.
 - ✓ Additional safety measures should be taken for users that are a high risk. High risk users include those who are not mentally conscious (including those individuals under medication), users who have size or weight conditions, or any condition that impair their ability to use the Security Pole without assistance.
 - ✓ The Security Pole uses a spring loaded pin that allows the handle to rotate and lock into several user positions. Make sure that the rotating handle is in a locked position before using the product. If the rotating handle is not locked before using, the user may fall and serious injury or harm could result.
 - ✓ If you have any concerns or questions regarding these precautions, please contact Standers at 1-800-506-9901.
2. If you are suffering from an ailment or injury or are taking medications that affect your balance or ability to stand or sit down, you should first consult with a physician before using this product. If the product is not used properly, serious injury or harm could result.
 3. The product was not intended to carry the full weight of an individual. This product is only intended to provide balance and support while sitting and standing.
 4. The product instructions must be carefully followed to ensure that the product is properly assembled and positioned. Failure to follow the instructions could result in serious injury to the user(s) of the product.
 5. Children should not be allowed to hang on or play with the product.
 6. **DISCLAIMER:** Neither Standers, Inc. nor the manufacture is liable for any harm or injury that may result or has resulted from the improper use or assembly of the product.

Limited Warranty

Congratulations on your purchase of your Standers brand product. We hope that it will ease your daily living. Please read the following warranty statement for your protection.

Standers, Inc. warrants to the original purchaser that this product will be free from defects in material and/or workmanship for 1 year from the date of purchase.

During the warranty period, Standers, Inc. will correct any defects in material or workmanship, at no charge. The original purchaser, however, must prepay shipping cost. Any replacement parts will be new and are warranted for the remainder of the original warranty or thirty (30) days from the date of shipment, whichever is longer. The original purchaser must notify Standers, Inc. during the warranty period in writing of the defect in workmanship or material. This warranty is not transferable and covers only normal use. **NO SHIPPING CHARGES ARE REFUNDABLE.**

The warranty does NOT cover the following:

- Damage during shipment other than original shipment to retailer.
- Damage caused by unauthorized attachments, alterations, or modifications.
- Damage caused by the use of the product for purposes other than those for which the product was designed or intended.
- Damage caused by any other abuse, misuse, mishandling or misapplication.

Under no circumstances shall Standers, Inc. be liable for any special, incidental, or consequential damages based upon breach of this limited warranty, breach of contract, or strict liability.

THERE ARE NO WARRANTIES WHICH EXTEND BEYOND THE DESCRIPTION ON THEFACE HEREOF. ALL OTHER WARRANTIES, EXPRESS OR IMPLIED (INCLUDING ALL IMPLIED WARRANTIES OF MERCHANTABILITY OR FITNESS FOR A PARTICULAR PURPOSE), ARE HEREBY DISCLAIMED.

Some states do not allow limitations on how long an implied warranty lasts, so the above limitation may not apply to you. This warranty gives you specific legal right, and you may also have other rights, which vary from state to state.

To obtain service under this warranty, you can reach Standers Inc. at 74 Canterbury Circle, Logan, Utah 84321.

Please read Safety Precautions and Instructions before using this product.

