

SAVE THESE INSTRUCTIONS

NOTE: Check ALL parts for shipping damage. If shipping damage is noted, DO NOT use. Contact carrier/dealer for further instruction.

⚠ WARNING

DO NOT use this product or any available optional equipment without first completely reading and understanding these instructions and any additional instructional material such as owner's manuals, service manuals or instruction sheets supplied with this product or optional equipment. If you are unable to understand the warnings, cautions or instructions, contact a healthcare professional, dealer or technical personnel before attempting to use this equipment - otherwise, injury or damage may occur.

DO NOT use the walker platform attachment with any other walker accessories unless prescribed by a health care professional (Doctor-Therapist).

Ensure that the walker is securely locked into the open position before installing the walker platform attachment - otherwise, injury may occur.

The walker **MUST** be level to the ground.

ALL four legs of the walker **MUST** be in contact with the floor when exerting weight onto the walker with the walker platform attachment.

DO NOT lean too far forward or to the side with the walker platform attachment as the walker may become unbalanced and injury may occur.

The walker platform attachment does not fall under any separate weight limitation beyond that of the walker that it attaches to, up to a maximum walker weight limitation of 300 pounds.

Learn how to use the walker platform attachment in the presence of a health care professional (Doctor-Therapist).

If the walker platform attachment is exposed to extreme temperature (above 100°F or below 32°F), high humidity and/or becomes wet, prior to use, ensure handgrips **DO NOT** twist on the walker platform attachment handle - otherwise damage or injury may occur.

⚠ ACCESSORIES WARNING

Invacare products are specifically designed and manufactured for use in conjunction with Invacare accessories. Accessories designed by other manufacturers have not been tested by Invacare and are not recommended for use with Invacare products.

⚠ INSTALLATION WARNING

After **ANY** adjustments, repair or service and **BEFORE** use, make sure that all attaching component parts are secure.

Attaching/Adjusting the Walker Platform Attachment

⚠ WARNING

Ensure that the walker is securely locked in the open position before installing the walker platform attachment - otherwise, injury may occur.

NOTE: For this procedure, refer to FIGURE 1.

NOTE: Reverse this procedure to remove the platform attachment.

Attaching the Upper Mounting Hardware

1. Open the walker.
2. Determine which side of the walker the platform attachment will be used.
3. Remove the adjustment knob and carriage bolt from the U-clamp and half clamp (Detail "A").
4. Position the half clamp over the walker frame with the hinge placed on the inside of the walker.
5. Align the mounting holes of the U-clamp and the half clamp.
6. From the inside of the walker, place the carriage bolt through the half clamp, U-clamp and into the adjustment knob.
7. Securely tighten the adjustment knob.

Attaching the Lower Hardware

NOTE: Position the slides just below the walker crossbrace.

1. Loosen the adjustment knobs and place the slides onto the walker frame (Detail "B").
2. Adjust the slides in or out until the slides are tight in place.

Adjusting the Walker Platform Height

1. Loosen the adjustment knobs that secure the U-clamps to the clamp assemblies (Detail "C") and slide the support tube up or down through the U-clamps until the desired position is obtained.
2. Securely tighten the adjustment knobs after any adjustment.

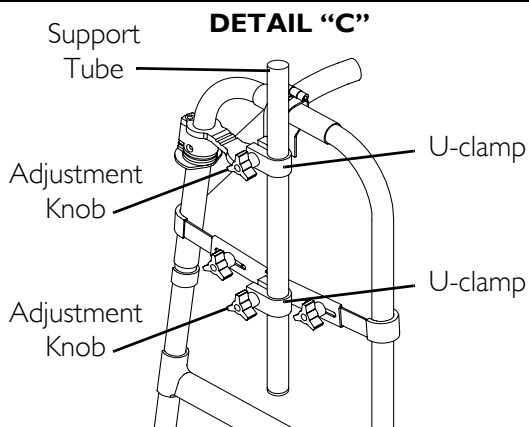
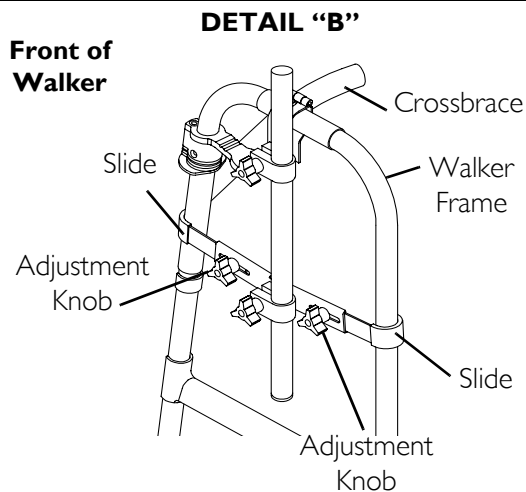
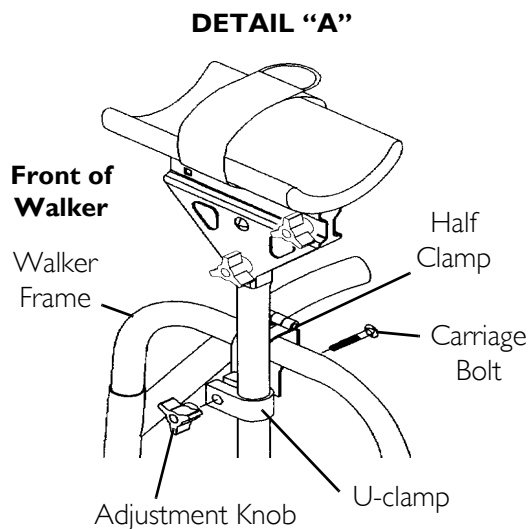


FIGURE 1 Attaching/Adjusting the Walker Platform Attachment

Attaching/Adjusting the Arm Tube

NOTE: For this procedure, refer to FIGURE 2.

1. Loosen the arm tube adjustment knob, located just below the arm pad.
2. Slide the arm tube into the slot underneath the arm pad.
3. Slide arm tube in or out to the desired position.
4. Securely tighten the arm tube adjustment knob.

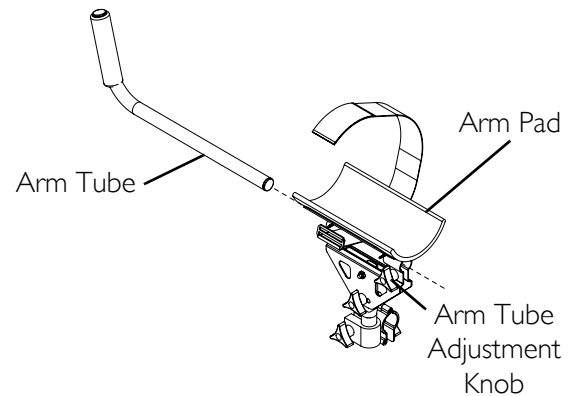


FIGURE 2 Securely tighten the adjustment knobs after any adjustment.

Adjusting the Angle or Tilt of the Walker Platform Attachment

⚠ WARNING

DO NOT apply full weight while adjusting the angle, injury may result.

NOTE: For this procedure, refer to FIGURE 3.

Adjusting the Angle

NOTE: This adjustment changes the inward or outward angle of the user's arm to their torso on the horizontal plane.

1. Loosen the adjustment knobs that secure the support tube to the U-clamps.
2. Turn the support tube until the desired angle is obtained.
3. Securely tighten the adjustment knobs.

Adjusting the Tilt

NOTE: This adjustment changes the tilt of the user's arm to the floor on the vertical plane.

1. Loosen the tilt adjustment knob.

NOTE: The tilt adjustment knob is located where the support tube connects to the arm support.

2. Lift up or push down on arm tube to obtain the desired tilt.
3. Securely tighten the tilt adjustment knob.

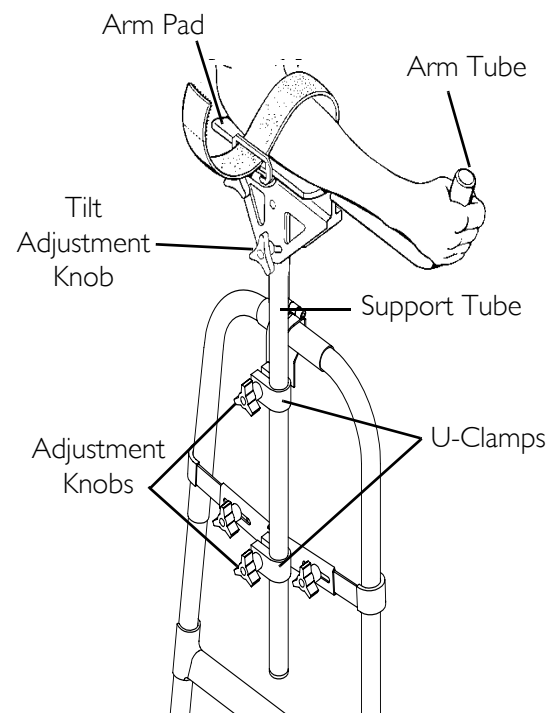


FIGURE 3 Adjusting the Angle or Tilt of the Walker Platform Attachment

Using the Arm Strap

NOTE: For this procedure, refer to FIGURE 4.

1. Unfasten the arm strap by pulling up on the hook and loop fastening strap.
2. Loosen arm strap by pulling it through the ring.
3. Slide the user's arm into position.
4. Pull the fastening strap until a snug fit is obtained around the user's arm.
5. Fold the hook and loop fastening strap over ring and secure it to the arm strap.

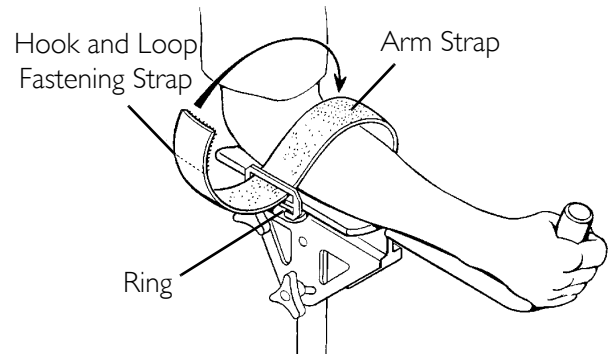


FIGURE 4 Using the Arm Strap

Replacing the Arm Pad

NOTE: For this procedure, refer to FIGURE 5.

NOTE: Note the position of the existing arm pad.

1. Slide the existing arm pad off of the arm support.
2. Slide a new arm pad onto the arm support.

NOTE: The sides of the cover are on the outside of the arm support, while the ends are tucked in.

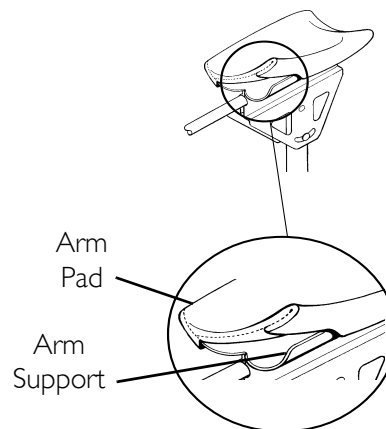


FIGURE 5 Replacing the Arm Pad

Replacing the Fastening Strap

NOTE: For this procedure, refer to FIGURE 6.

1. Remove the arm pad. Refer to [Replacing the Arm Pad](#).

NOTE: Note the orientation of the existing arm strap.

2. While pulling on the ring, slide the fastening strap through the slots in the arm support.
3. Thread the end without the ring of the new arm strap through the slots in the arm support.

NOTE: Make sure the hook end is facing down.

4. Replace the arm pad. Refer to [Replacing the Arm Pad](#).

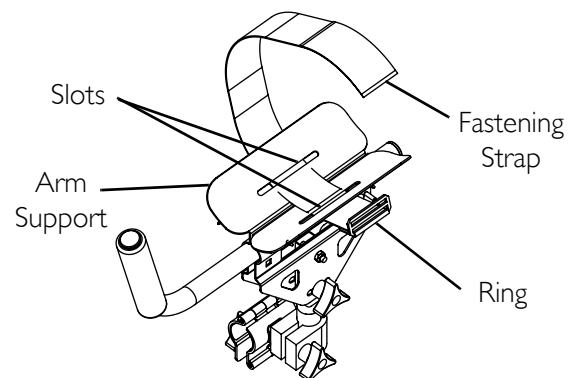


FIGURE 6 Replacing the Fastening Strap

Storing the Walker

NOTE: The walker can be folded without removing the walker platform attachment.

1. Fold the walker according to the instructions provided with the product.
2. Lower the height of the walker platform attachment if necessary. Refer to [Attaching/Adjusting the Walker Platform Attachment](#) on page 2.

Care and Maintenance of the Walker Platform Attachment

1. Use a mild soap or detergent to clean the arm pads and dry thoroughly.
2. A light oil may be applied to the hardware to lubricate and aid in preventing rust.

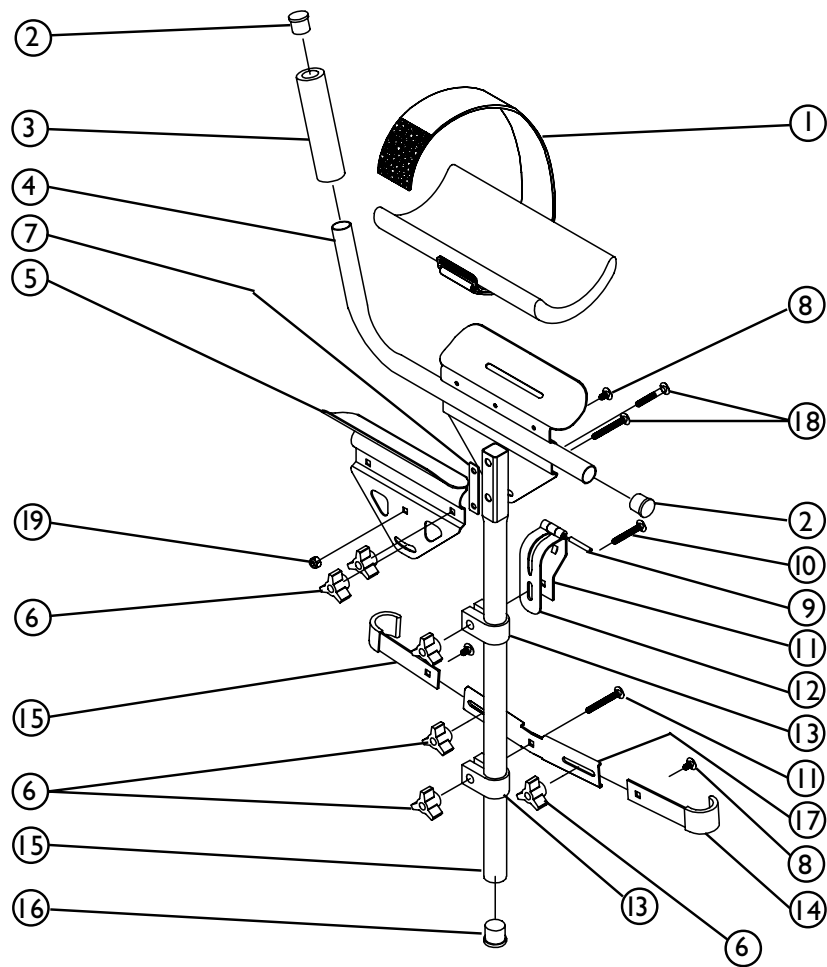


FIGURE 7 Parts List

Item No.	Part No.	Description	Qty.
1	1141041	Support Tube	1
2	1062843	Non-Skid Pad	2
3	1069135	Arm Support	2
4	1013903	Carriage Bolt	2
5	1061131	Knob	6
6	60275x000	Locknut	1
7	10123x006	Mounting Bolt	1
8	1056286	Arm Tube	1
9	1016298	Handle Push Grip	1
10	1027096	Universal Gray Plug	2
11	1071284	Arm Padding	1
12	1068603	Multi-Grip Rivet	3
13	1068808	Clamp	2
14	1141031	Clamp Assembly	1
15	1069015	Carriage Bolt	2
16	1141039	Non-Skid Pad	4
17	1141034	Clamp Assembly	1
18	1057287	1" Universal Plug Button	1

LIMITED WARRANTY

PLEASE NOTE: THE WARRANTY BELOW HAS BEEN DRAFTED TO COMPLY WITH FEDERAL LAW APPLICABLE TO PRODUCTS MANUFACTURED AFTER JULY 4, 1975.

This warranty is extended only to the original purchaser/user of our products.

This warranty gives you specific legal rights and you may also have other legal rights which vary from state to state.

Invacare warrants its product to be free from defects in materials and workmanship for five years for the original purchaser. If within such warranty period any such product shall be proven to be defective, such product shall be repaired or replaced, at Invacare's option. This warranty does not include any labor or shipping charges incurred in replacement part installation or repair of any such product. Invacare's sole obligation and your exclusive remedy under this warranty shall be limited to such repair and/or replacement.

For warranty service, please contact the dealer from whom you purchased your Invacare product. In the event you do not receive satisfactory warranty service, please write directly to Invacare at the address on the back cover. Provide dealer's name, address, model number, and the date of purchase, indicate nature of the defect and, if the product is serialized, indicate the serial number.

Invacare Corporation will issue a return authorization. The defective unit or parts must be returned for warranty inspection using the serial number, when applicable, as identification within thirty (30) days of return authorization date. **DO NOT** return products to our factory without our prior consent. C.O.D. shipments will be refused; please prepay shipping charges.

LIMITATIONS AND EXCLUSIONS: THE WARRANTY SHALL NOT APPLY TO PROBLEMS ARISING FROM NORMAL WEAR OR FAILURE TO ADHERE TO THE ENCLOSED INSTRUCTIONS. IN ADDITION, THE FOREGOING WARRANTY SHALL NOT APPLY TO SERIAL NUMBERED PRODUCTS IF THE SERIAL NUMBER HAS BEEN REMOVED OR DEFACED; PRODUCTS SUBJECTED TO NEGLIGENCE, ACCIDENT, IMPROPER OPERATION, MAINTENANCE OR STORAGE; OR PRODUCTS MODIFIED WITHOUT INVACARE'S EXPRESS WRITTEN CONSENT INCLUDING, BUT NOT LIMITED TO: MODIFICATION THROUGH THE USE OF UNAUTHORIZED PARTS OR ATTACHMENTS: PRODUCTS DAMAGED BY REASON OF REPAIRS MADE TO ANY COMPONENT WITHOUT THE SPECIFIC CONSENT OF INVACARE; PRODUCTS DAMAGED BY CIRCUMSTANCES BEYOND INVACARE'S CONTROL; PRODUCTS REPAIRED BY ANYONE OTHER THAN AN INVACARE DEALER, SUCH EVALUATION SHALL BE SOLELY DETERMINED BY INVACARE.

THE FOREGOING EXPRESS WARRANTY IS EXCLUSIVE AND IN LIEU OF ALL OTHER EXPRESS WARRANTIES WHATSOEVER, WHETHER EXPRESS OR IMPLIED, INCLUDING THE IMPLIED WARRANTIES OF MERCHANTABILITY AND FITNESS FOR A PARTICULAR PURPOSE AND THE SOLE REMEDY FOR VIOLATIONS OF ANY WARRANTY WHATSOEVER, SHALL BE LIMITED TO REPAIR OR REPLACEMENT OF THE DEFECTIVE PRODUCT PURSUANT TO THE TERMS CONTAINED HEREIN. THE APPLICATION OF ANY IMPLIED WARRANTY WHATSOEVER SHALL NOT EXTEND BEYOND THE DURATION OF THE EXPRESS WARRANTY PROVIDED HEREIN. INVACARE SHALL NOT BE LIABLE FOR ANY CONSEQUENTIAL OR INCIDENTAL DAMAGES WHATSOEVER.

THIS WARRANTY SHALL BE EXTENDED TO COMPLY WITH STATE/PROVINCIAL LAWS AND REQUIREMENTS.



Yes, you can.

Invacare Corporation

www.invacare.com

USA
One Invacare Way
Elyria, Ohio USA
44036-2125
800-333-6900

Canada
570 Matheson Blvd E Unit 8
Mississauga Ontario
L4Z 4G4 Canada
800-668-5324

All rights reserved. Trademarks are identified by the symbols [™] and [®]. All trademarks are owned by or licensed to Invacare Corporation unless otherwise noted.

© 2008 Invacare Corporation

Part No 1064716

Rev D - 08/08