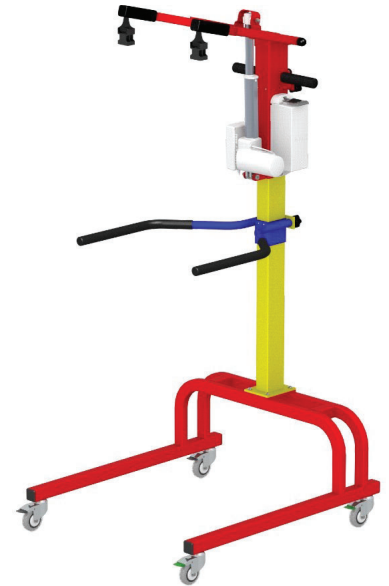
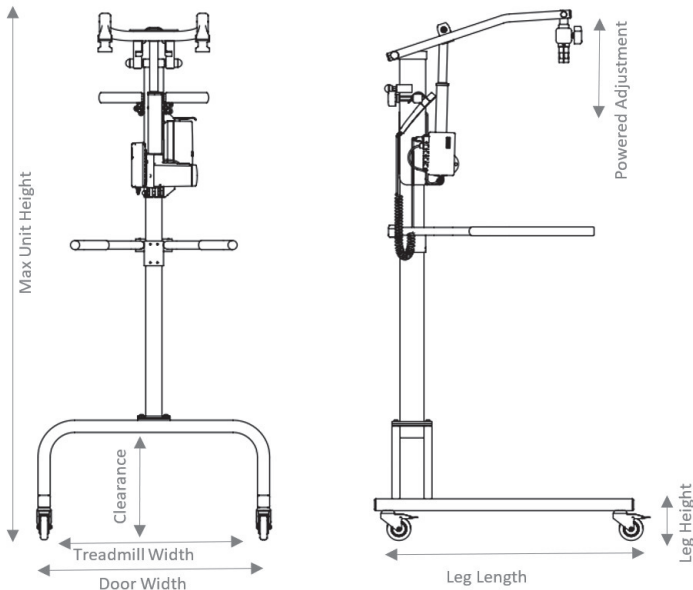


LiteGait® 100MX



Max. Patient Weight	<input type="text" value="100 lbs"/>	Base Options	Standard Base	<input type="text" value="27"/>	<input type="text" value="27/30"/>
Max. Patient Height Over Ground		Base Dimensions		<input type="text" value="27"/>	<input type="text" value="30"/>
with FreeDome	<input type="text" value="4'- 8"/>	Treadmill Width		<input type="text" value="26"/>	<input type="text" value="29"/>
without FreeDome	<input type="text" value="5'- 2"/>	Door Width		<input type="text" value="31"/>	<input type="text" value="34"/>
Max. Patient Height w/Treadmill		Height (Floor to Top of Leg)		<input type="text" value="5.5"/>	<input type="text" value="5.5"/>
with FreeDome	<input type="text" value="4'- 2"/>	Max. Base Footprint		<input 32.5"="" type="text" value="33" x=""/>	
without FreeDome	<input type="text" value="4'- 8"/>	Clearance		<input type="text" value="13"/>	
Yoke Adjustment		Leg Length		<input type="text" value="32.5"/>	<input type="text" value="32.5"/>
Powered	<input type="text" value="18"/>	Shipping Dimensions		<input 18"="" 47"="" type="text" value="38" x=""/>	
Manual	<input type="text" value="27"/>	Shipping Weight		<input type="text" value="100 lbs"/>	<input type="text" value="102 lbs"/>
Overall Unit Height	<input type="text" value="5'- 5"/>	Power Requirements: 110V-240V 50/60Hz			

LiteGait® Includes			
Integrated Freedom	<input type="text" value="NOT AVAILABLE"/>	Included Harness	<input type="text" value="1 Harness"/>
Removeable Freedom	<input type="text" value="OPTIONAL"/>	Peds	
BiSym	<input type="text" value="OPTIONAL"/>		
Gaiter Stool	<input type="text" value="OPTIONAL"/>		
3D Handlebar	<input type="text" value="NOT AVAILABLE"/>		
Parallel Grab Bar	<input type="text" value="INCLUDED"/>	Q-Straps	<input type="text" value="OPTIONAL"/>
L-Shape Handle Bars	<input type="text" value="NOT AVAILABLE"/>	Nex Gen	<input type="text" value="NOT AVAILABLE"/>