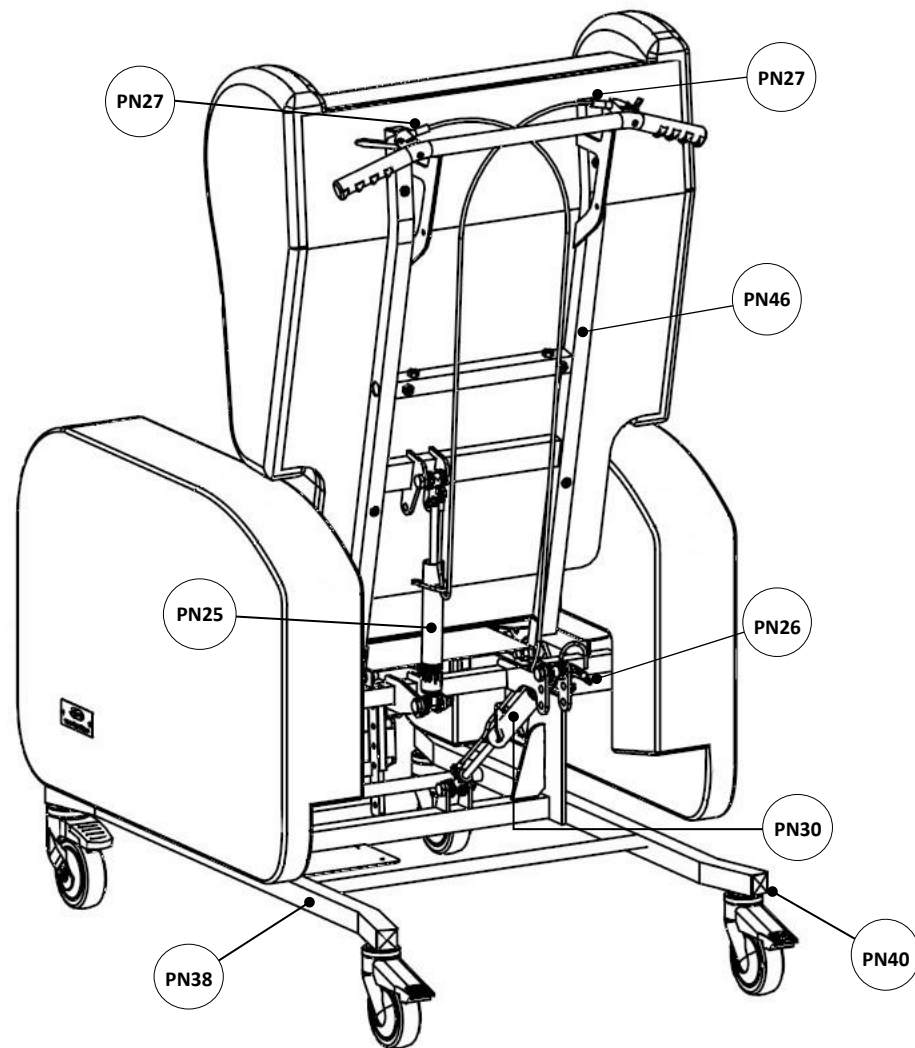
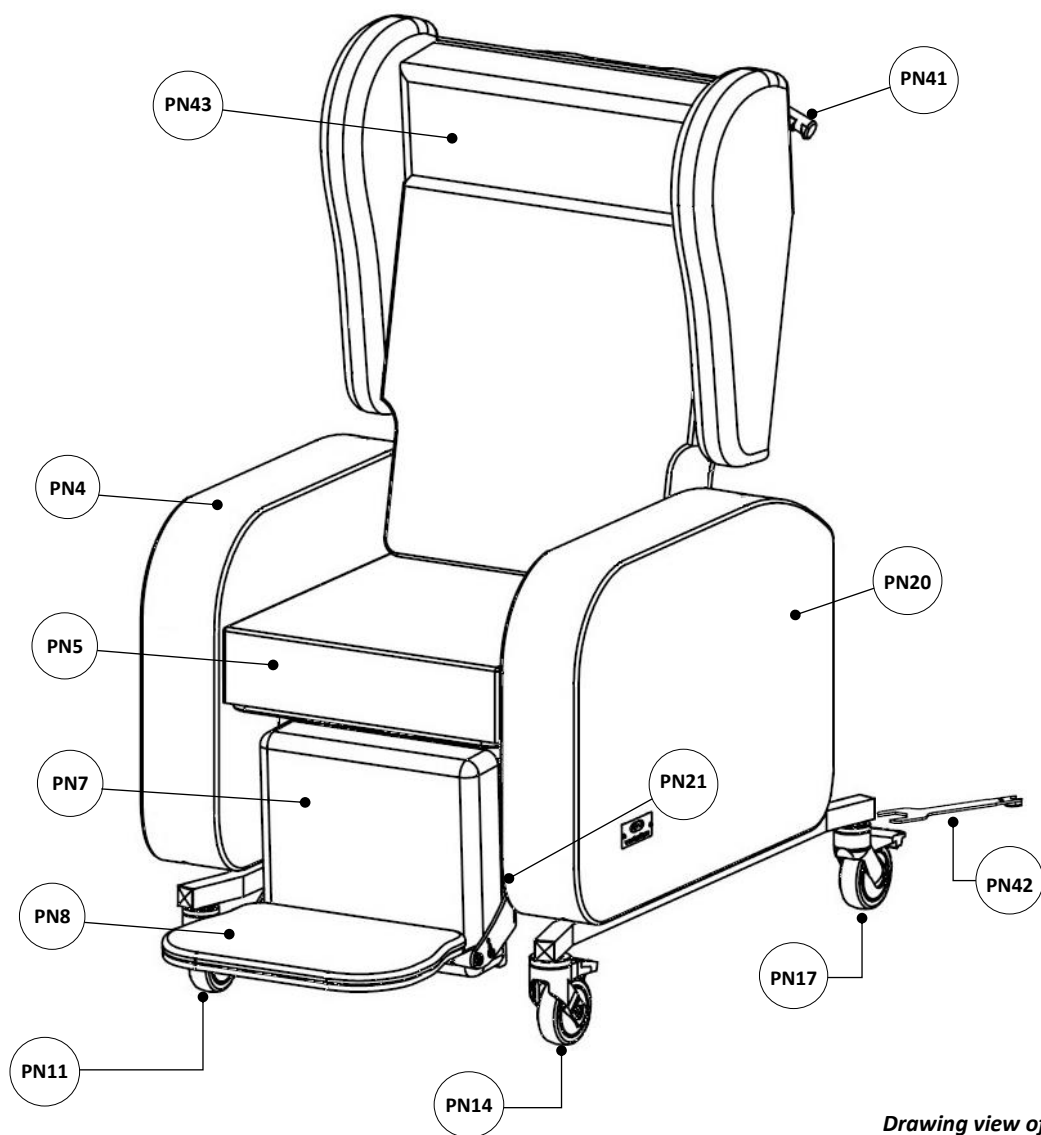




Seating Matters

Sorrento Parts List



Drawing view of 30° Model

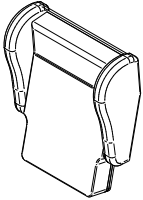
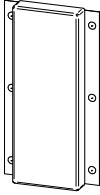
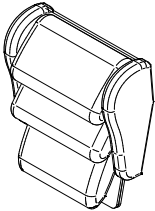
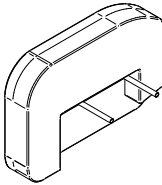
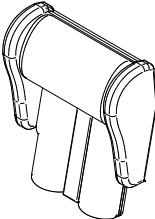
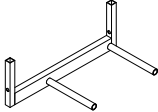
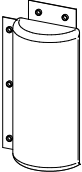
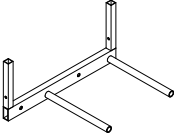

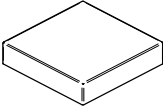


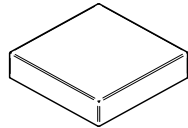
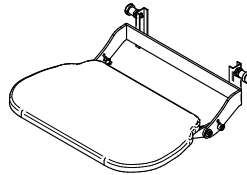
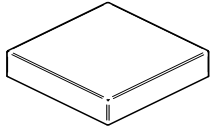
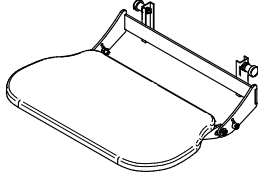
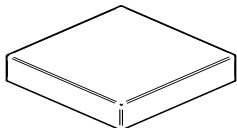
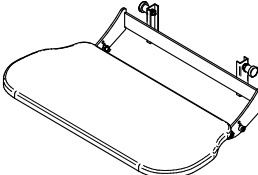
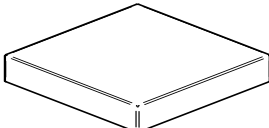
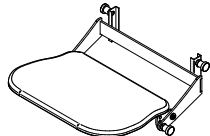
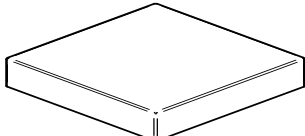
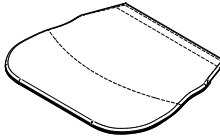
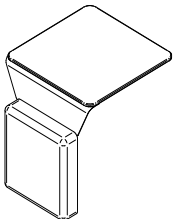

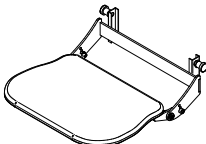

Seating Matters


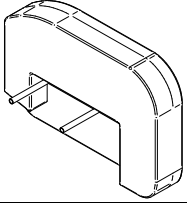

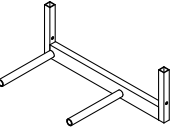
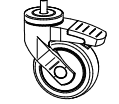
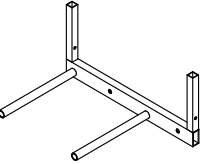

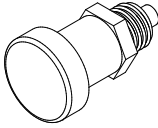
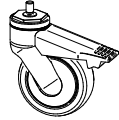
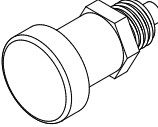

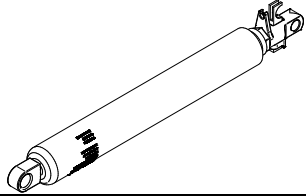
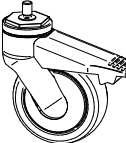
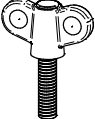
Sorrento Parts List

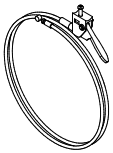
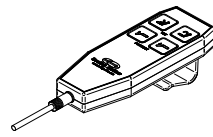
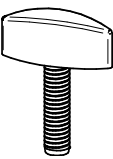
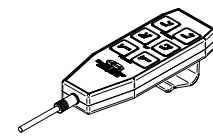
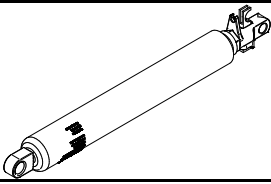
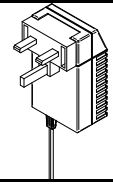
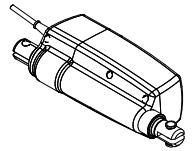
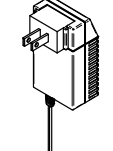
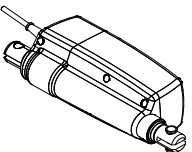
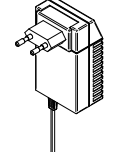
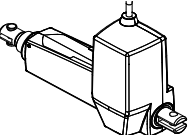
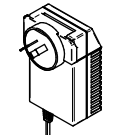
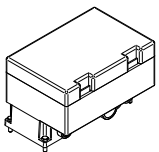
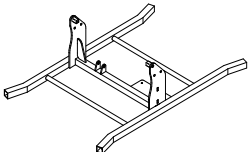
Please refer to drawing views for location of parts listed below.

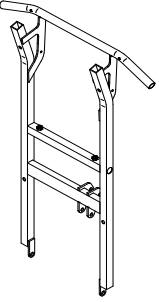
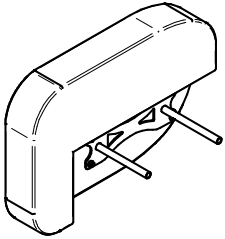
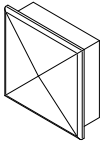
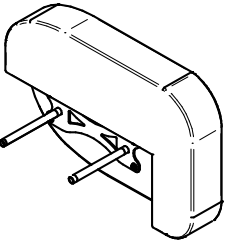
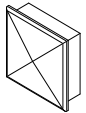
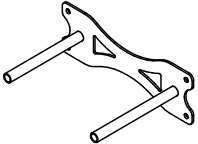
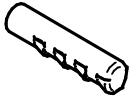
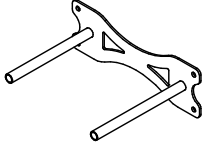
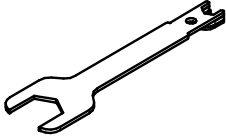
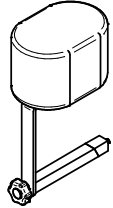
All parts compatible with 45° model unless stated.

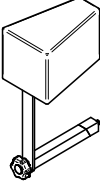
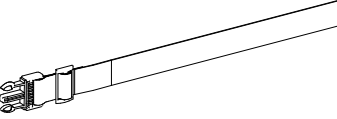
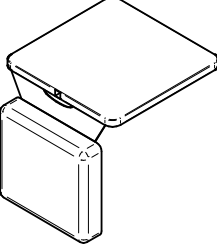

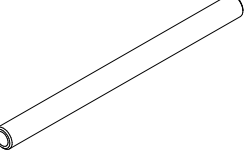

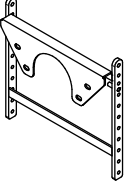
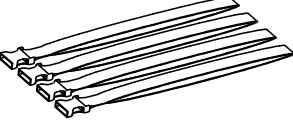
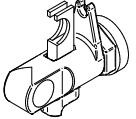
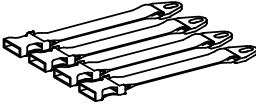
Part Number	DESCRIPTION	IMAGE	Part Number	DESCRIPTION	IMAGE
PN43	Flat Back (Seat Width Required)		PN98	Fibrelux Back Middle Cushion	
PN44	Waterfall Back (Seat Width Required)		PN4*	V1 Right Arm (Complete with steel bracket)	
PN45	Fibrelux Back (Seat Width Required)		PN88	V1 Right Arm Steel Bracket (350-500 Seat Width)	
PN96	Left Fibrelux Back Pillow (Seat Width Required)		PN89	V1 Longer Right Arm Steel Bracket (500-600 Seat Width)	
PN97	Right Fibrelux Back Pillow (Seat Width Required)		PN5	Seat Cushion – 350mm Wide	

Part Number	DESCRIPTION	IMAGE	Part Number	DESCRIPTION	IMAGE
PN373	Seat Cushion – 400mm Wide		PN378	50mm Wider Footplate	
PN374	Seat Cushion – 450mm Wide		PN379	100mm Wider Footplate	
PN6	Seat Cushion – 500mm Wide		PN380	200mm Wider Footplate	
PN375	Seat Cushion – 550mm Wide		PN9	Adjustable Footplate	
PN376	Seat Cushion – 600mm Wide		PN10	Footplate Cover	
PN7	Baseboard and Calfpad (Seat Width Required)		PN11	100mm Non-Braking Castor	
PN8	Standard Footplate		PN12	75mm Non-Braking Castor	

Part Number	DESCRIPTION	IMAGE	Part Number	DESCRIPTION	IMAGE
PN13	125mm Non-Braking Castor		PN20*	V1 Left Arm (Complete with steel bracket)	
PN14	100mm Directional Lock Castor		PN90	V1 Left Arm Steel Bracket (350-500 Seat Width)	
PN15	75mm Directional Lock Castor		PN91	V1 Longer Left Arm Steel Bracket (500-600 Seat Width)	
PN16	125mm Directional Lock Castor		PN21	M12 Indexing Plunger (Non-Locking)	
PN17	100mm Braking Castor		PN22	M12 Indexing Plunger (Locking)	
PN18	75mm Braking Castor		PN25	850N Gas Strut (Back Recline)	
PN19	125mm Braking Castor		PN26	M8 X 30 Thumb Screw (Laterals & Arm Adjustment)	

Part Number	DESCRIPTION	IMAGE	Part Number	DESCRIPTION	IMAGE
PN27	1300m Release Cable (Tilt, Back Recline & Leg Rest)		PN35	HB 42 Handset (2 Channel)	
PN29	M8 X 25 Wing Knob (Seat Depth Adjustment)		PN36	HB 43 Handset (3 Channel)	
PN30*	280N Gas Strut (Tilt & Leg Rest)		PN37	Charger (UK)	
PN31	Elevating Leg Rest Actuator (100mm Stroke)		PN51	Charger (North America)	
PN32*	Tilt Actuator (100mm Stroke)		PN381	Charger (Europe)	
PN33	Back Recline Actuator (30mm Stroke)		PN372	Charger (Australia)	
PN34*	CB8 Control Box (252)		PN38*	Base Frame	

Part Number	DESCRIPTION	IMAGE	Part Number	DESCRIPTION	IMAGE
PN46	Back Frame		PN330	V2 Right Arm (Complete with steel bracket)	
PN40*	Box Cap (30mm x 30mm)		PN331	V2 Left Arm (Complete with steel bracket)	
PN385	Box Cap (25mm x 25mm)		PN332	V2 Arm Steel Bracket (350-500 Seat Width)	
PN41	Handle Grip		PN333	V2 Longer Arm Steel Bracket (550-600 Seat Width)	
PN42	Dual Spanner		PN239	Replacement Standard Pommel (PN335 Required if chair does not have built in bracket)	

Part Number	DESCRIPTION	IMAGE	Part Number	DESCRIPTION	IMAGE
PN240	Replacement Tapered Pommel (PN335 Required if chair does not have built in bracket)		PN118	Universal Male Tray Attachment	
PN335	Pommel Baseboard & Calfpad (Includes Built in Bracket, Seat Width Required)		PN414	V1 Tray Attachment - Female	
PN409	Lateral Bar Padding (Single)		PN415	V2 Tray Attachment - Female	
PN384	Calfpad Frame		PN416	V1 Female Tray Attachments (Phoenix-Sorrento) - Set of 4	
PN411	M10 Gas Strut Head (For all gas struts except 45° tilt - PN48)		PN417	V2 Female Tray Attachments (Phoenix-Sorrento) - Set of 4	

Please provide chair serial number when ordering replacement parts to ensure correct specification.

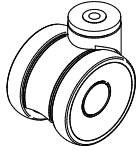

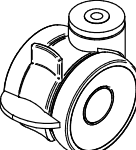
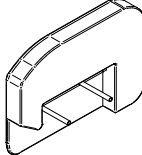
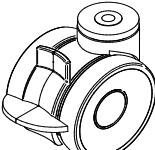
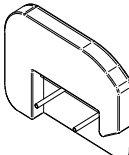
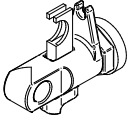
*Not compatible with 45 degree model. See 45° parts list on page 8.

V2 Arms suit Phoenix-Sorrento Models as of 11/4/16.

All parts listed below are exclusive to 45° model.

Sorrento Parts List – 45° Model

Part Number	DESCRIPTION	IMAGE	Part Number	DESCRIPTION	IMAGE
PN49	Tilt Actuator (90mm Stroke)		PN382	V1 Right Arm (Complete with steel bracket)	
PN50	Back Recline Actuator (30mm Stroke with longer cable)		PN383	V1 Left Arm (Complete with steel bracket)	
PN340	CB8 Control Box (552)		PN52	Base Frame	
PN30	280N Gas Strut (Leg Rest Only)		PN112	Stroller Wheel Left	
PN48	1150N Gas Strut (Tilt)		PN113	Stroller Wheel Right	

Part Number	DESCRIPTION	IMAGE	Part Number	DESCRIPTION	IMAGE
PN115	100mm Twin Castor - Non-Braking		PN28	1400mm Release Cable (Tilt)	
PN116	100mm Twin Castor - Braking		PN412	90mm Thick Arm – Left (Australia & Canada Only)	
PN117	100mm Twin Castor - Directional Lock		PN413	90mm Thick Arm – Right (Australia & Canada Only)	
PN410	M8 Gas Strut Head (PN48 Only)				

Please provide chair serial number when ordering replacement parts to ensure correct specification.