

ARJOHUNTLEIGH

GETINGE GROUP

Maxi Twin PARTS LIST



CE
0086

General information

Note. All article numbers starting with **85** indicates that more than one detail is included in the article number. **Blue text indicates changes compared to previous manual.**

How to order

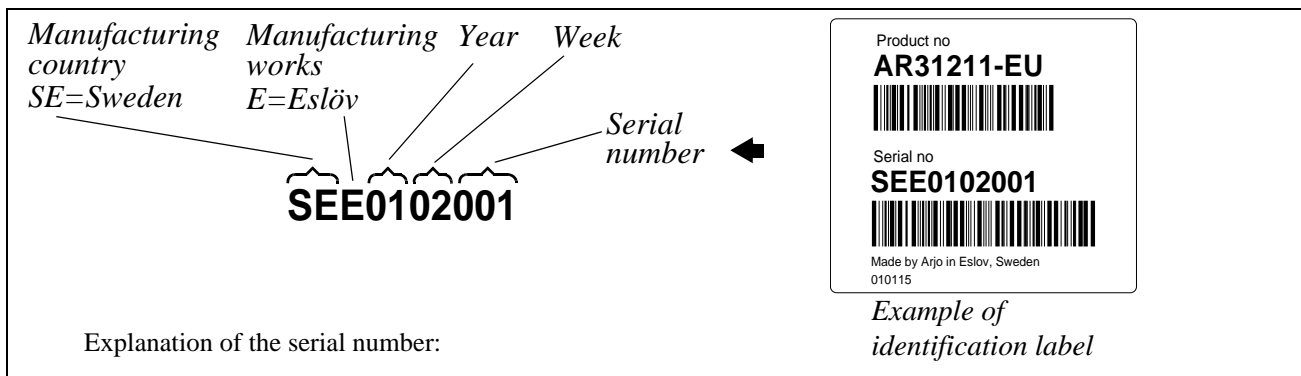
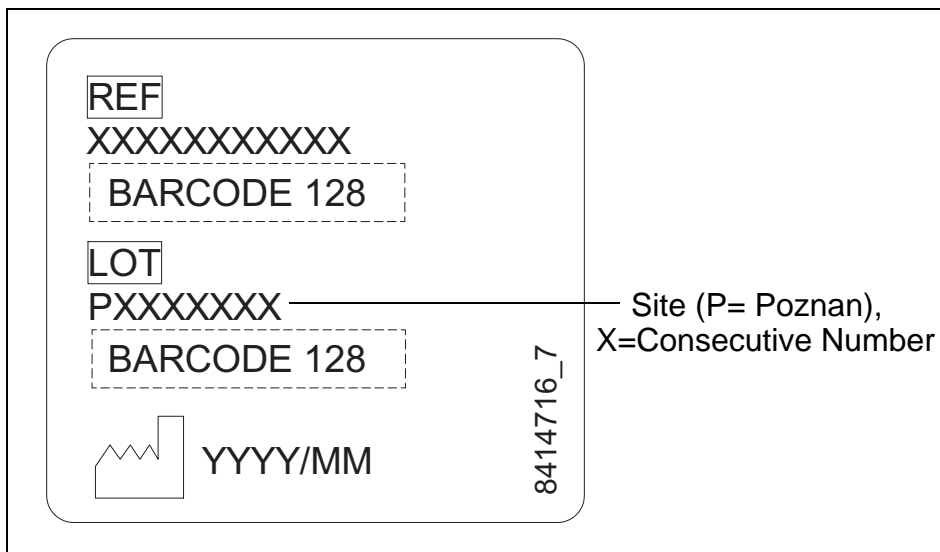
Before ordering spare parts study the exploded view closely and make sure that you note all involved spare parts.

Please note that gaskets and o-rings normally are included in kits and can not be ordered separately.

Note. all article numbers starting with **85** indicates that more than one detail is included in the article number.

When taking contact with ArjoHuntleigh Parts sales always have the following information at hand:

- Correct name of the product. See type label.
- The serial number of the product. See labels.



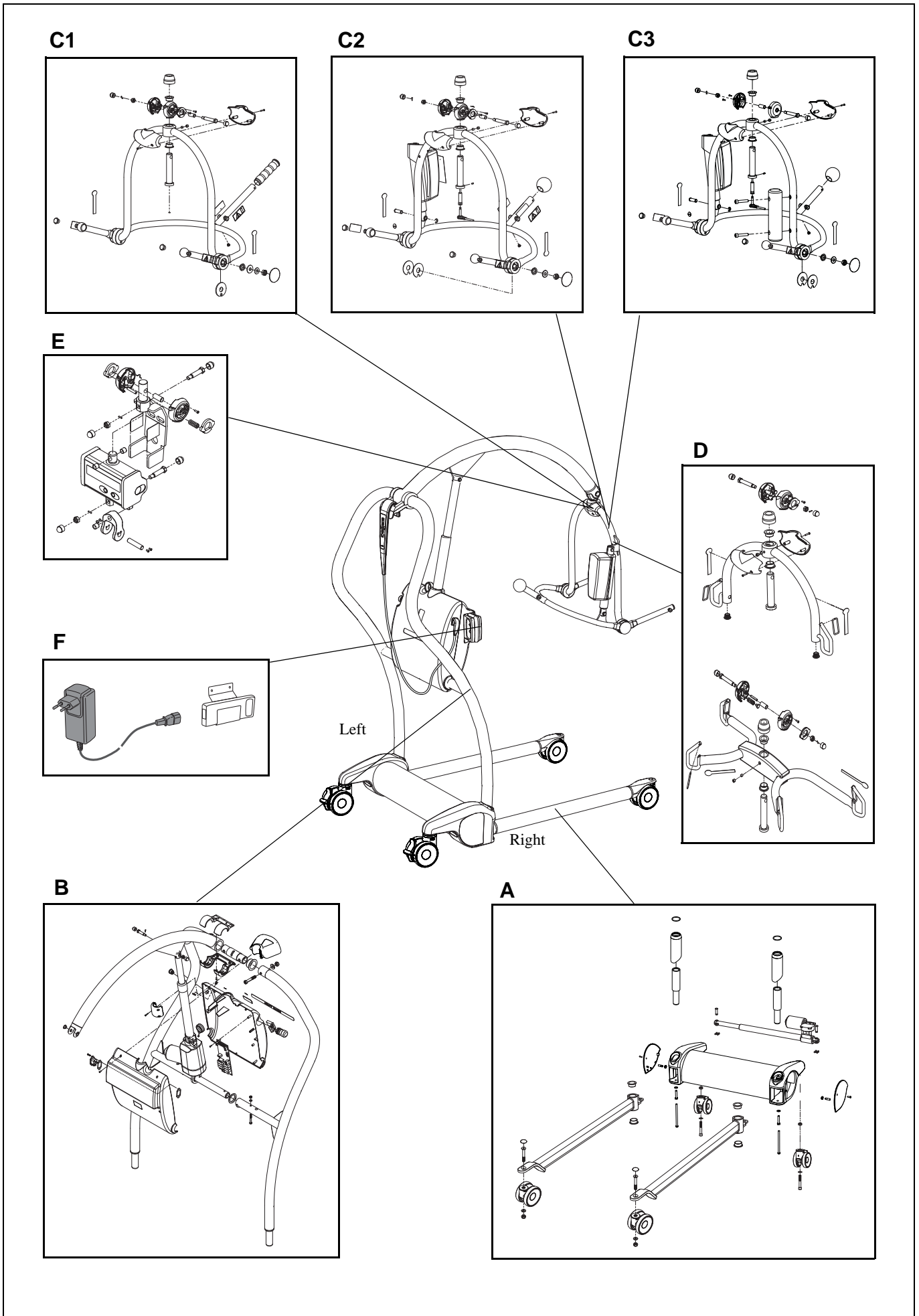
Contents Maxi Twin II (0912000074-)

Overview	4
A Leg and Chassis	6
B Mast, Jib and Lift	8
C1 Dedicated DPS Spreader Manual	10
C2 Dedicated DPS Spreader Powered	12
C3 Dedicated DPS Spreader Scale Powered	14
D Dedicated Loops, small, medium, large	16
E Scale	18
F Battery and Battery Charger	20
Preventive Maintenance Parts/Recommended Spares	22
Service Articles and Special Tools	23

Overview

Pos	Description	See page
A	Leg and Chassis	6
B	Mast, Jib and Lift	8
C1	Dedicated DPS Spreader Manual	10
C2	Dedicated DPS Spreader Powered	12
C3	Dedicated DPS Spreader Scale Powered	14
D	Dedicated Loops, Small, medium, large	16
E	Scale	18
F	Battery and Battery Charger	20

Overview

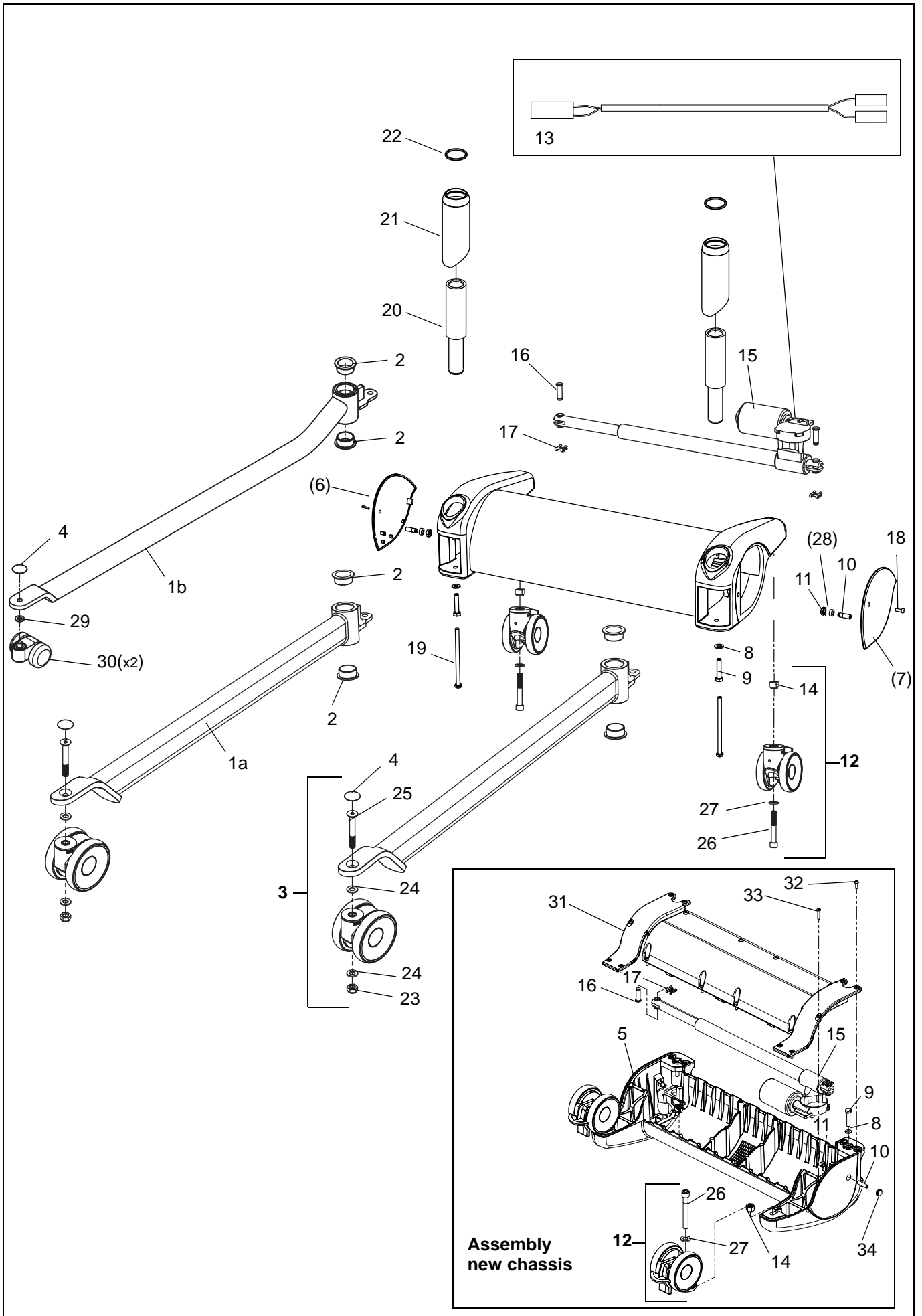


A

Leg and Chassis

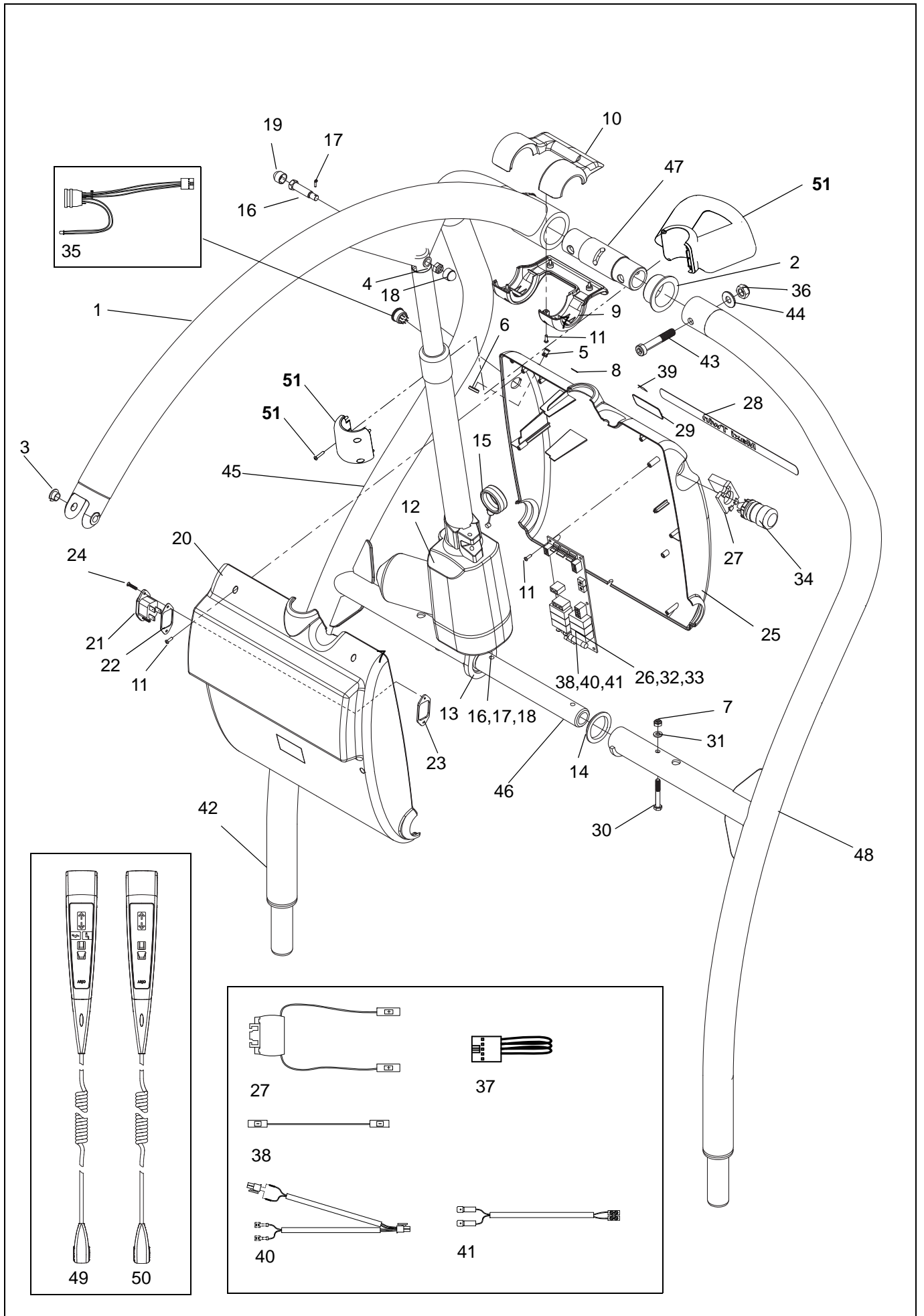
Pos	Art. No.	Qty	Description	From ser. No.	Up to ser. No.	Remarks
			S8561821-031	Leg Assembly standard- incl. pos. 1a-4:		
1	8662038-031	2	Leg standard (a)			New version 1005000919
	8662284-031	2	Leg low height (b)			
2	KTX00290.0	4	Bush			
3	8547058	2	Front Castor kit Ø100			
4	KPX11430.20	2	Cap, front castor			
			S8563490-031	Chassis Assembly - castor, actuator which includes pos.: 5, 8-17, 19, 26, 27, 31-34		
			S8261693-031	Chassis Assembly- no actuator, no castors which includes pos.: 5, 10-11, 14, 26, 27, 31-34		
5	8547053-031	1	Chassis, Kit			Incl pos. 8-11 and 34. Version using lid, introduced 1207000416
6	KTX82505-20	1	End cover, right		1207000415	Old version
7	KTX82504-20	1	End cover, left		1207000415	Old version
8	6200005	2	Washer, A4 BRB ISO 7089 8.4x16x1.6			200HV
9	6100892	2	Setscrew, M6S ISO 4017 M8x40 -10.9			Dacro
10	8460420	2	Setscrew 33 mm			
11	6210014	2	Nut A4 M6M ISO 4032 M8 – 80			
12	8547059	2	Rear Castor kit Ø100 braked			Incl pos 14, 26 -27
13	8361423	1	Leg loom 2			
14	8361965	2	Chassis nut		1207000415	Introduced 1003000535
	6210229		Locking nut A4-ISO 7040 M12-80	1207000416		
15	KMX82333-00	1	Actuator			
16	KPX11400.0	2	Clevis pin, 10 dia			
17	JX68800.0	2	Safety fastner			
18	6190060	2	Screw MSG LKCS M6 x 12-4.8			
19	6100891	2	Screw DACRO M6S ISO 4014 M8x140			Dacro, With scale
20	8361688-031	2	Mast extension			With scale
21	8361690	2	Cover			With scale
22	6262464	2	O-ring			With scale
23	6210045	2	Nut locking, A4-DIN 985 M10- 80			
24	6200007	4	Washer A4 BRB ISO7089 10.5x20x2-200HV			From 1003000535 . Also for old versions.
25	6151075	2	Screw FZB MF6S ISO10642 M10x75-8.8			
26	6190589	2	Screw FZB MC6S ISO 4762 M12x85-8.8		1207000415	
	6190614		Screw FZB MC6S ISO 4762 M12x90-8.8	1207000416		
27	8664227	2	Washer			New version 1304001160
28	8662602	2	Spacer		1207000415	From 1103000870 . Also for old versions.
29	8662672	2	Washer low castors			
30	700-25110	1	Kit low castors Ø49			Note! 2 castors
31	8662404-031	1	Lid		1207000416	
32	6190612	16	Screw FZB-MRT ISO 14583 M5x16-8.8		1207000416	
33	6190613	2	Screw FZB- MRT ISO 14583 M5x25-8.8		1207000416	
34	8460956-031	2	Cover, grey		1207000416	

A



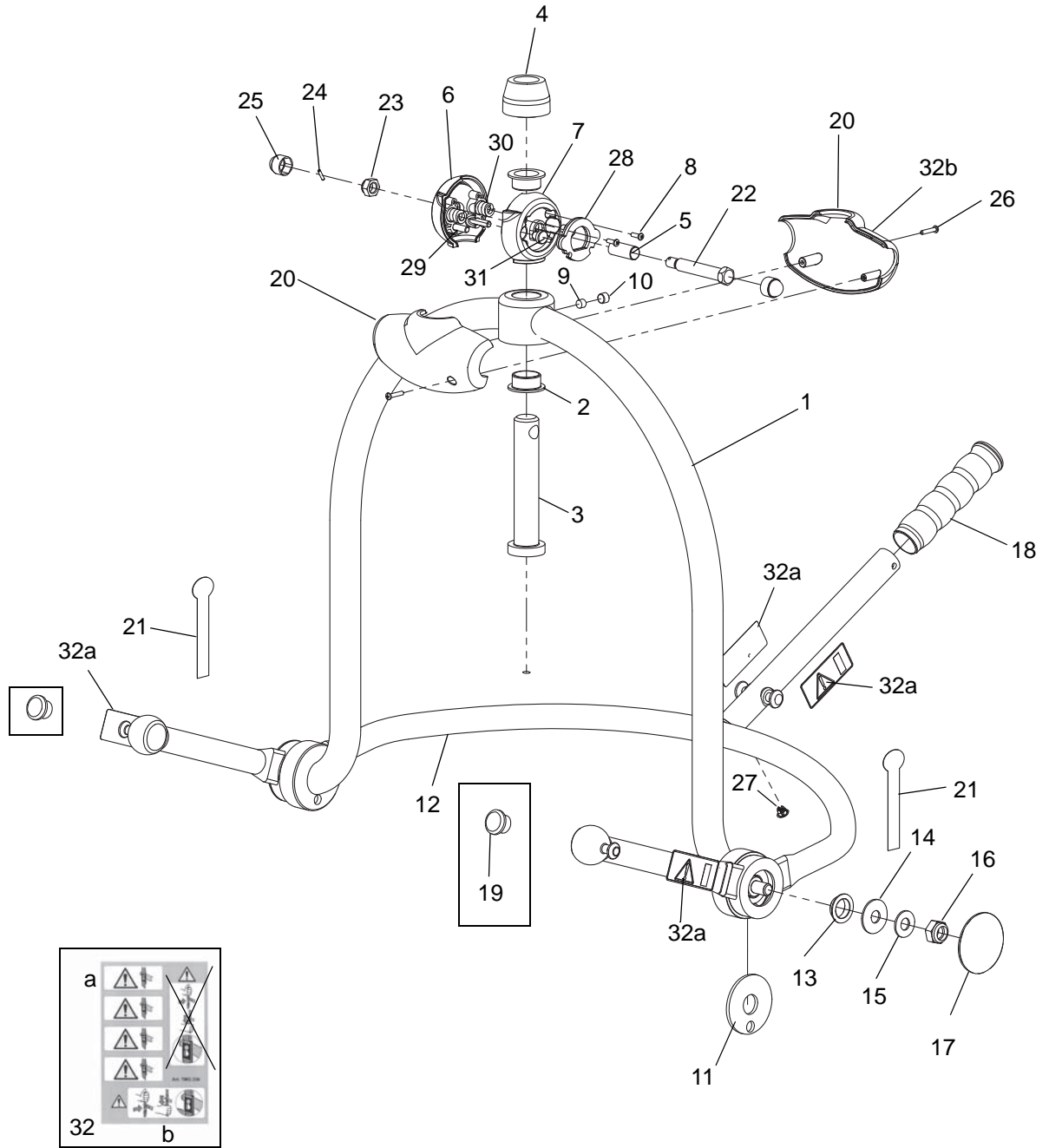
B Mast, Jib and Lift						
Pos	Art. No.	Qty	Description	From ser. No.	Up to ser. No.	Remarks
1	8662096-031	1	Jib assembly			New version 1103001283
2	KTX82422-00	2	Bearing			
3	KTX82759-00	2	Bearing			
4	KTX82760-00	1	Bearing			
5	6311332	1	Lens			
6	8461356	1	Ring			
7	6210043	2	Locking Nut A4 DIN 985 M6-80			
8	8418735	1	Label, charge battery			
9	8361058-035	1	Hand control holder, bottom			
10	8361059-035	1	Hand control holder, top			
11	6190542	12	Screw A4 RX PT 4-20x10			
12	6379241	1	Actuator, LA34			
13	KTX82424-00	1	Actuator extension bracket			
14	KTX82431-00	2	Bearing			
15	KTX82491-26	1	Emergency release			
16	KTX82745-00	2	Pivot bolt			
17	KTX82746-00	2	Pin, 2 dia x 10 lg			
18	6210044	2	Nut locking A4 DIN 985 M8-80			
19	KTX82756-20	2	Hex cap			
20	KTX82418-24	1	Motor casing, back			New version
21	8458622	1	Socket			
22	8451301	1	Seal			
23	8451284	1	Clamp plate			
24	6190245	2	Screw, A4- MFX ISO 7046 M3x16-80-Z			
25	KTX82419-24	1	Motor casing, front			New version 1307000361 for AH badge
26	8663772	1	PCB			New version 1304000304
27	8360696	1	Safety Stop Loom			
28	8618937	1	Label Maxi Twin			
29	8418701	1	Arjohuntleigh badge			
30	6100645	2	Screw, A4 - M6S ISO 4014 M6 x 45 - 80			
31	6200003	2	Washer, A4 BRB ISO 7089 6.4x12x1.6			200HV
32	6379136	1	Fuse F10AL, 6x32 mm			
33	6379050	1	Fuse T4AL, 5x20 mm			
34	6319516	1	Button			
35	8361410	1	Hand control connector			
36	6210045	2	Nut locking, A4-DIN 985 M10- 80			
37	8358603	1	Bridge connector			
38	8358604	1	Battery wire			
39	KRX05070.0	1	Label emergency lowering			
40	8358599	1	Powered DPS loom 1			
41	8358598	1	Powered DPS loom 2			
42	8418760	1	Data label			Not illustrated
43	6190578	2	Screw FZB MLC6S DIN6912 M10x60-8.8			
44	AX05700.0	2	Washer M10 A2			
45	8261063-031	1	Mast right hand			
46	8360957-031	1	Cross beam joint			
47	8360899-031	1	Top mast joint			
48	8261064-031	1	Mast left hand			
49	8560020	1	6 function Hand control			
50	8560016	1	4 function Hand control			
51	8547061	1	Hand control holder, complete			

B



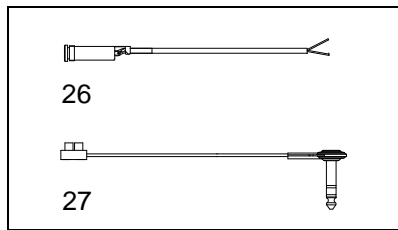
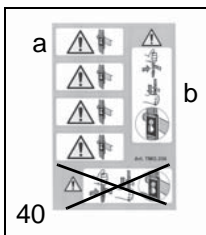
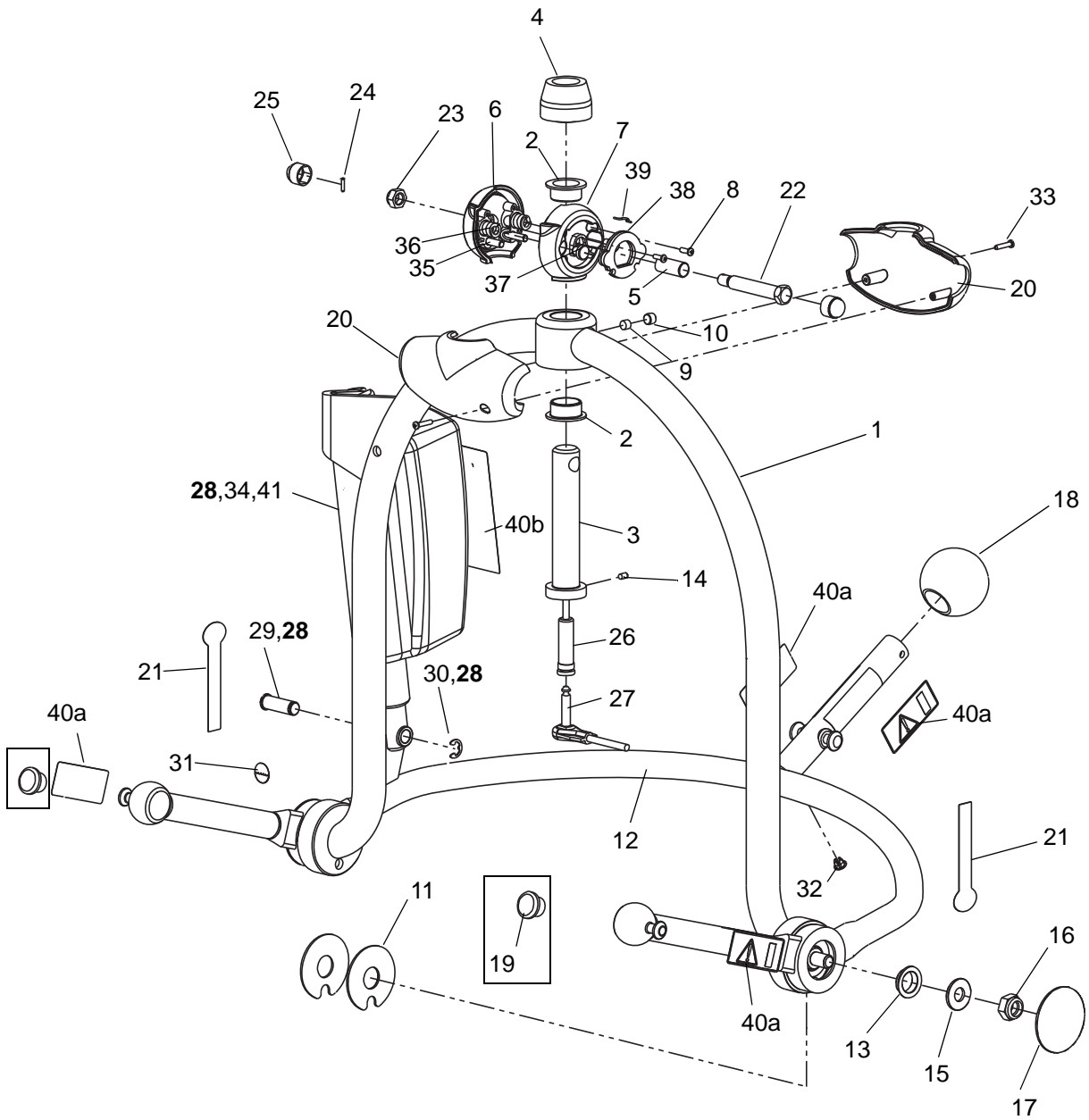
<i>CI</i>		<i>Dedicated DPS Spreader Manual</i>			
Pos	Art. No.	Qty	Description	From ser. No.	Up to ser. No. Remarks
	S8561705-24		DPS Assembly - which includes pos. 1-32:		
1	KTX82438-24	1	Upper lift frame		
2	KTX82421-00	2	Bearing		
3	KTX82477-00	1	Vertical pin		
4	KTX82701-20	1	Pin cover		
5	6306148	1	Bearing		
6	8361233-036	1	Cover, jib left		
7	8361234-036	1	Cover, jib right		
8	6190542	2	Screw A4 RX PT 4-20x10		
9	8459511	1	Lug		
10	KTX82703-00	1	Screw, M8 x 6, skt set		
11	KMX82671-00	2	Friction washer		
12	8662250-24	1	Lift frame		New version 1107000548
13	KPX67540.0	2	Glacier bush		
14	GX20460.0	2	Washer spring disc		
15	MX01450.0	2	Washer		
16	6210045	2	Nut locking, A4-DIN 985 M10- 80		
17	MX01460.20	2	Cap		
18	KPX20100.20	1	Hand grip		
19	6316328	2	End plug	1107000547	For old version lift frame
20	KTX82474-20	2	Cover, spreader bar		
21	8418764	2	Label hanger, SWL 182 kg		
22	KTX82744-00	1	Pivot bolt		
23	6210044	1	Nut locking A4 DIN 985 M8-80		
24	KTX82746-00	1	Pin, 2 x 10 LG		
25	KTX82756-20	2	Hex cap		
26	6190544	2	Screw RX-TP 4-20x16		
27	KMX01080.0	1	Plug		
28	8461232	2	Friction disc		
29	6316320	2	Pin		
30	6305169	2	Spring		
31	8461681	2	Spacer		
32	6319525	1	Label slings		5 labels in one
	8547060	1	Anti-swing kit		Incl. pos.5-8, 22-25, 28-31

C1



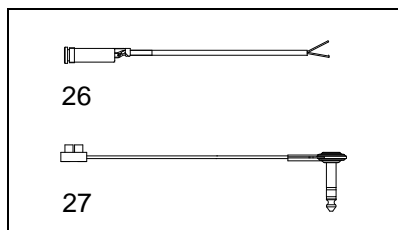
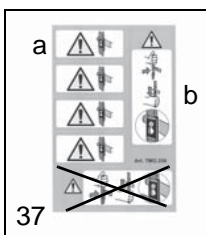
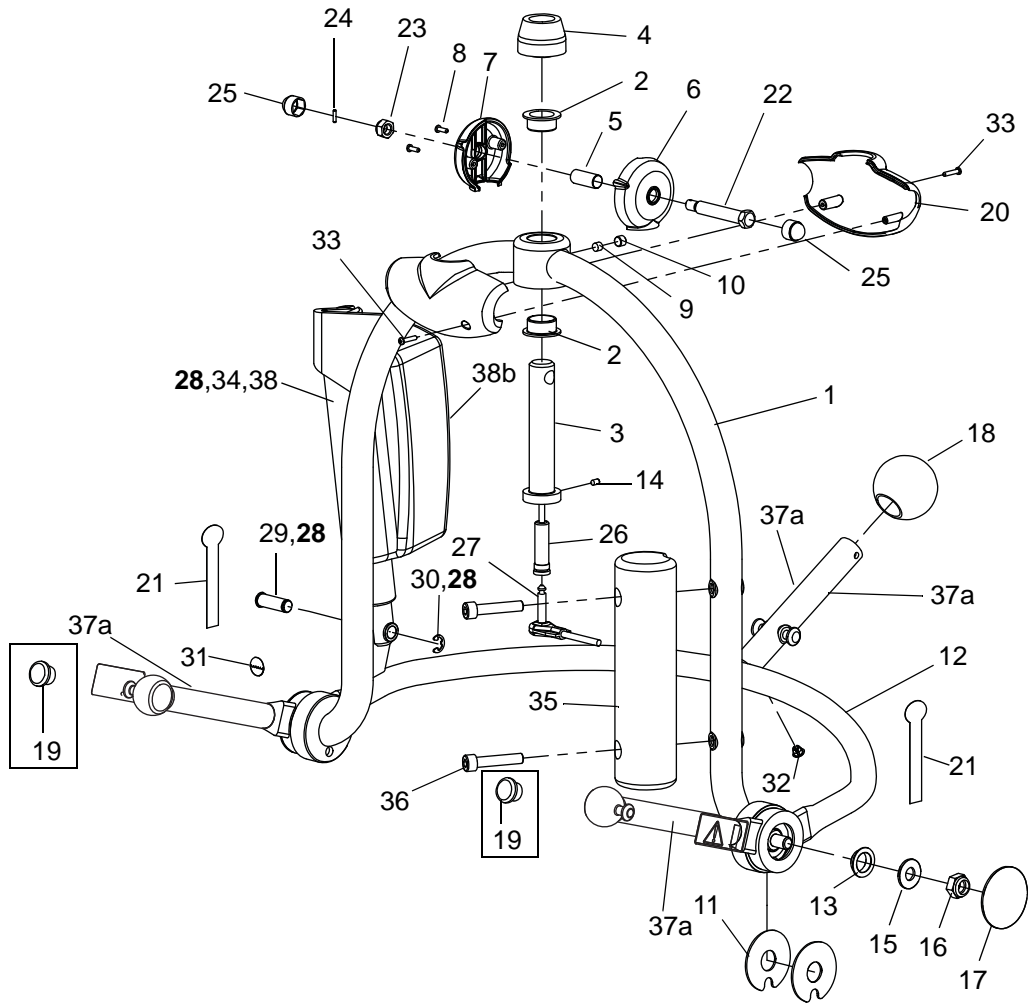
C2		Dedicated DPS Spreader Powered				
Pos	Art. No.	Qty	Description	From ser. No.	Up to ser. No.	Remarks
	S8561733-24		Powered DPS Assembly - which includes pos.1-40:			
1	KTX82480-24	1	Upper lift frame			
2	KTX82421-00	2	Bearing			
3	KTX82477-00	1	Vertical pin			
4	KTX82701-20	1	Pin cover			
5	6306148	1	Bearing			
6	8361233-036	1	Cover, jib left			
7	8361234-036	1	Cover, jib right			
8	6190542	2	Screw A4 RX PT 4-20x10			
9	8459511	1	Lug			
10	KTX82703-00	1	Screw, M8 x 6, skt set			
11	KPX67640.0	4	Friction washer			
12	8662255-24	1	Lift frame			New version 1102001051
13	KPX67540.0	2	Glacier bush			
14	6190538	1	Set screw OBH-MS6SS ISO 4027 M4x8-21H DriLoc, blue			
15	AX05700.0	2	Washer			
16	6210045	2	Nut locking A4 DIN 985 M10-80			
17	MX01460.20	2	Cap			
18	KPX67120.20	1	Handgrip knob			
19	6316328	2	End plug	1102001050		For old version lift frame
20	KTX82474-20	2	Cover, spreader bar			
21	8418764	2	Label hanger, SWL 182 kg			
22	KTX82744-00	1	Pivot bolt			
23	6210044	1	Nut locking A4 DIN 985 M8-80			
24	KTX82746-00	1	Pin, 2 x 10 LG			
25	KTX82756-20	2	Hex cap			
26	8359836	1	Socket & wire assy			
27	8358597	1	Powered DPS loom 3			
28	KTX82665-00	1	Actuator, LA28			Incl. pos. 29-30
29	KPX67200.0	2	Pin			
30	KPX67210.0	2	'E' clip			
31	LBX05550.0	1	Label water level			
32	KMX01080.0	1	Plug			
33	6190544	2	Screw A4 RX PT 4-20x16			
34	SKMX82687-00	1	Heatshrink			50mm
35	6316320	2	Pin			
36	6305169	2	Spring			
37	8461681	2	Spacer			
38	8461232	2	Friction disc			
39	8461664	1	Cable loop			
40	6319525	1	Label slings			5 labels in one
41	6381048	2	End sleeve			
	8547060	1	Anti-swing kit			Incl. pos.5-8, 22-25, 35-39

C2



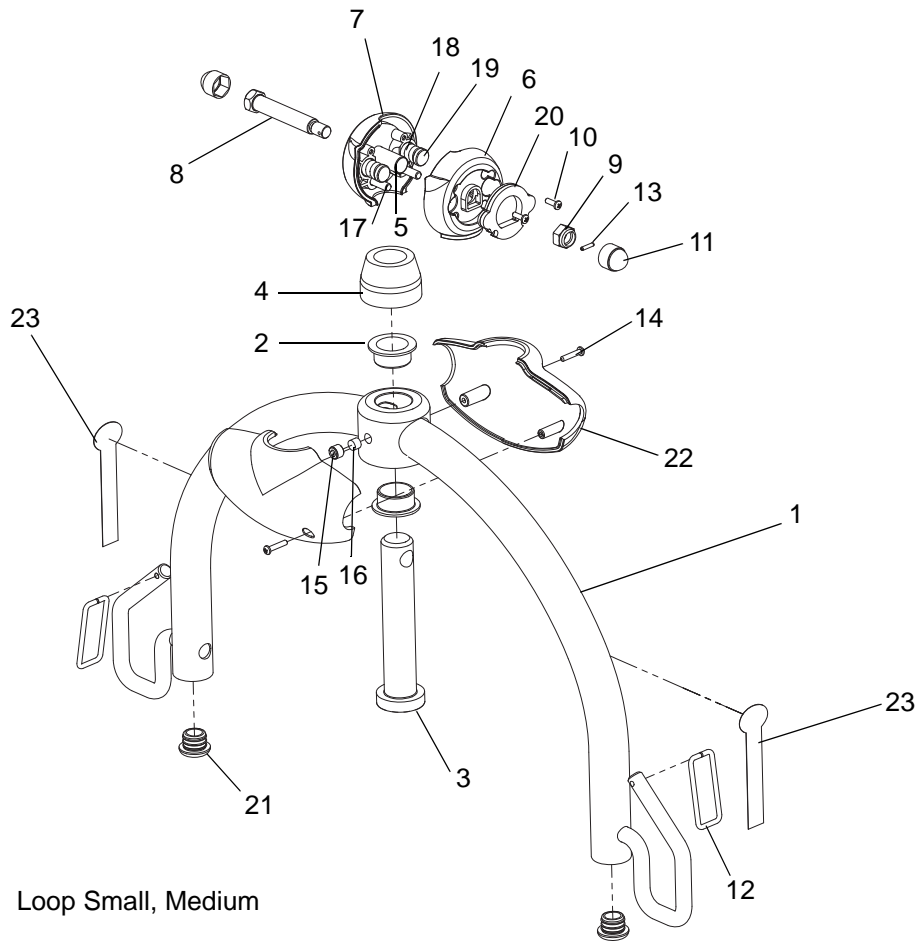
C3		Dedicated DPS Spreader Scale Powered				
Pos	Art. No.	Qty	Description	From ser. No.	Up to ser. No.	Remarks
	S8559973-24		Powered DPS Assembly - which includes pos.1-37:			
1	8159975	1	Upper lift frame			
2	KTX82421-00	2	Bearing			
3	KTX82477-00	1	Vertical pin			
4	KTX82701-20	1	Pin cover			
5	6306148	1	Bearing			
6	8359930-20	1	Cover, scale spreader bar			
7	8359931-20	1	Cover, scale spreader bar			With screw holes
8	6190542	2	Screw A4 RX PT 4-20x10			
9	8459511	1	Lug			
10	KTX82703-00	1	Screw, M8 x 6, skt set			
11	KPX67640.0	4	Friction washer			
12	8662255-24	1	Lift frame			New version 1102001051
13	KPX67540.0	2	Glacier bush			
14	6190538	1	Set screw OBH-MS6SS ISO 4027 M4x8-21H DriLoc, blue			
15	AX05700.0	2	Washer			
16	6210045	2	Nut locking, A4-DIN 985 M10- 80			
17	MX01460.20	2	Cap			
18	KPX67120.20	1	Handgrip knob			
19	6316328	2	End plug	1102001050		For old version lift frame
20	KTX82474-20	2	Cover, spreader bar			
21	8418764	2	Label hanger, SWL 182 kg			
22	KTX82744-00	1	Pivot bolt			
23	6210044	1	Nut locking A4 DIN 985 M8-80			
24	KTX82746-00	1	Pin, 2 x 10 LG			
25	KTX82756-20	2	Hex cap			
26	See E:8	1	Socket and wire assy			
27	8358597	1	Powered DPS loom 3			
28	SKTX82665-00	1	Actuator, LA28			Incl. pos. 29-30
29	KPX67200.0	2	Pin			
30	KPX67210.0	2	'E' clip			
31	LBX05550.0	1	Label water level			
32	KMX01080.0	1	Plug			
33	6190544	2	Screw RX-TP 4-20x16			
34	SKMX82687-00	1	Heatshrink			50mm
35	8359732-24	1	Counter weight			
36	6130840	2	Screw MC6S 8x40 A4 DIN 912			
37	6319525	1	Label slings			5 labels in one
38	6381048	1	End sleeve			

C3

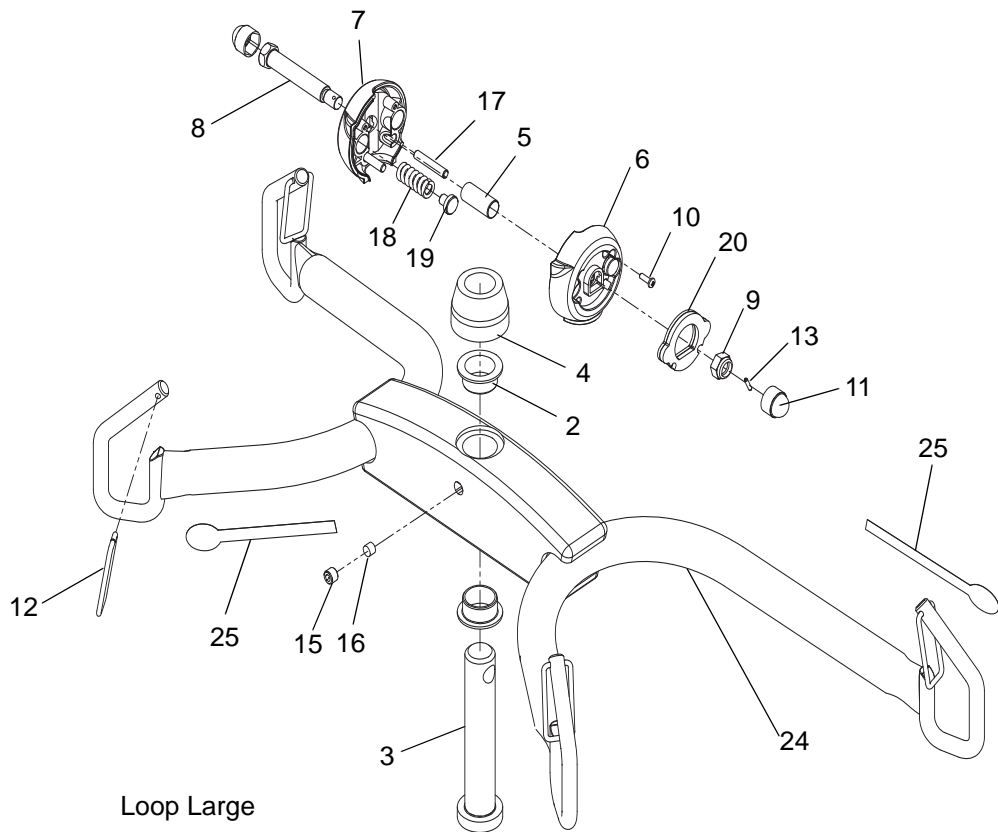


D <i>Dedicated Loops (small, medium and large)</i>						
Pos	Art. No.	Qty	Description	From ser. No.	Up to ser. No.	Remarks
	S8561708-24		Loop, Small, Dedicated, assembly (not illustrated) pos. 1-23			
	S8561710-24		Loop, Medium, Dedicated, assembly - which includes: pos. 1-23			
1	KTX82264-24 KTX82265-24	1	Loop, small, welded assy Loop, medium, welded assy			not illustrated illustrated
2	KTX82421-00	2	Bearing			
3	KTX82477-00	1	Vertical pin			
4	KTX82701-20	1	Pin cover			
5	6306148	1	Bearing			
6	8361233-036	1	Cover, jib left			
7	8361234-036	1	Cover, jib right			
8	KTX82744-00	1	Pivot bolt			
9	6210044	1	Nut locking A4 DIN 985 M8-80			
10	6190542	2	Screw A4 RX PT 4-20x10			
11	KTX82756-20	2	Hex cap, M8			
12	8459263	2/4	Retaining clip			Loop (S,M) 2, Loop (L) 4
13	KTX82746-00	1	Pin, 2 x 10 LG			
14	6190544	2	Screw RX-TP 4-20x16			
15	KTX82703-00	1	Screw, M8 x 6, skt set			
16	8459511	1	Lug			
17	6316320	2	Pin			
18	6305169	2	Spring			
19	8461681	2	Spacer			
20	8461232	2	Friction disc			
21	KTX05210.0	2	End plug			Loop (S,M)
22	KTX82474-20	2	Cover, spreader bar			Loop (S,M)
23	8418764	2	Label hanger, SWL 182 kg			Loop (S,M)
	S8561709-24		Loop, Large, Dedicated, assembly - which includes pos 2-22, 24-25:			
24	KTX82554-24	1	Loop, large, welded assy			Loop (L)
25	8418765	2	Label loop large, SWL 182 kg			Loop (L)
	8547060	1	Anti-swing kit			Incl. pos.5-11, 13, 17-20

D



Loop Small, Medium

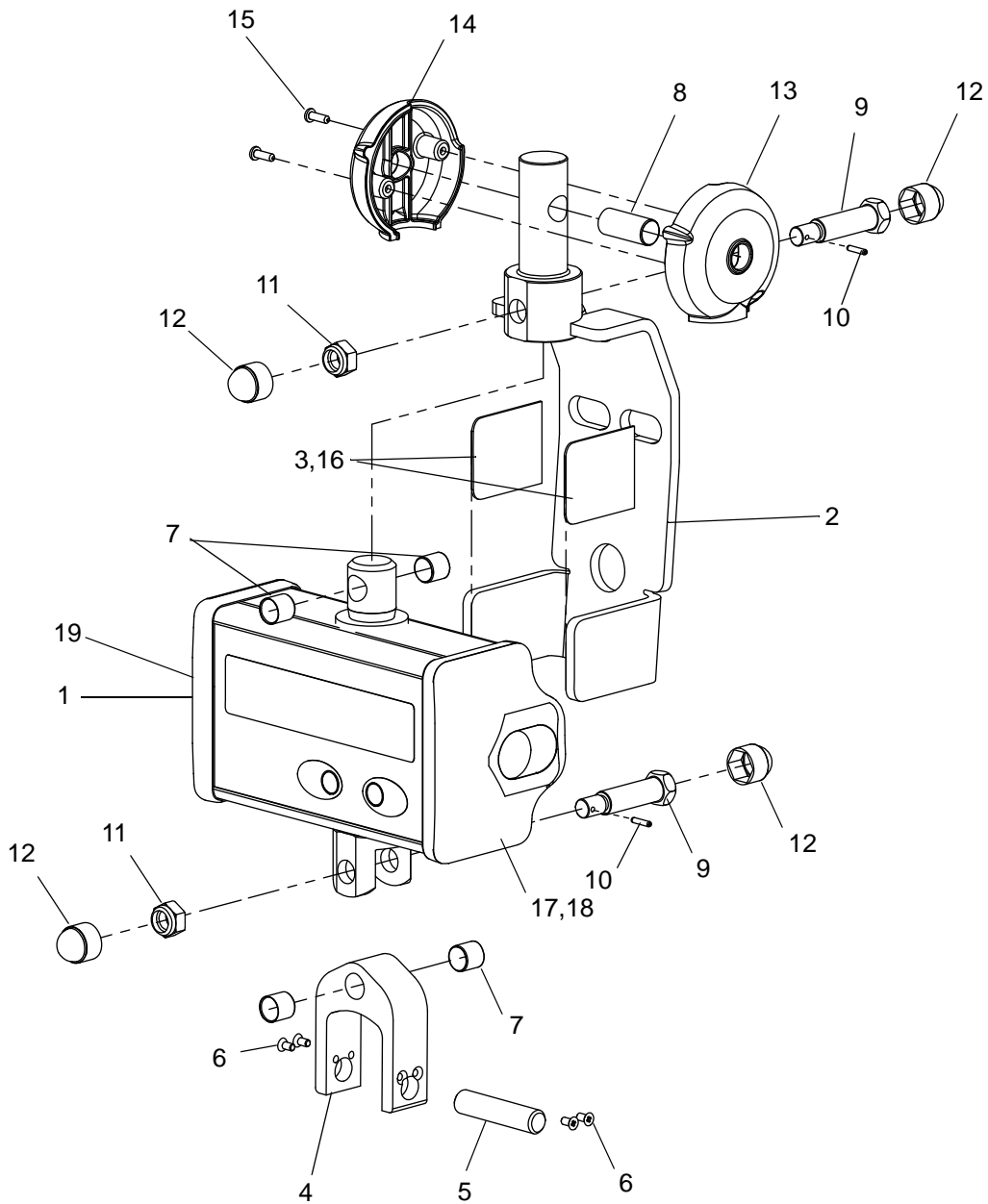


Loop Large

E*Scale*

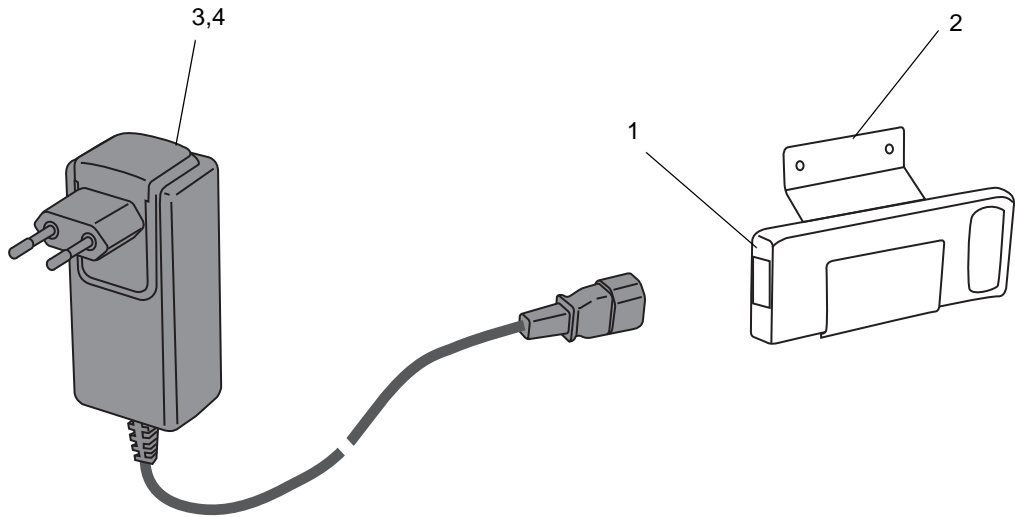
Pos	Art. No.	Qty	Description	From ser. No.	Up to ser. No.	Remarks
1	CFA3000-03A CFA3000-03U	1	Maxi Twin Scale Verified Maxi Twin Scale Not Verified			
2	8259729-20	1	Scale bracket			
3	8459730	2	Friction plate			
4	8259726	1	Fork			
5	8459727	1	Fork axle			
6	6190562	4	Screw MFX 3x6 A4			
7	6306149	4	Bearing			
8	6306148	1	Bearing			
9	KTX82745-00	2	Pivot bolt			
10	KTX82746-00	2	Pin, 2 x 10 LG			
11	6210044	2	Nut locking A4 DIN 985 M8-80			
12	KTX82756-20	4	Hex cap			
13	8359737-20	1	Cover, scale bracket			
14	8359447-20	1	Cover, scale bracket			With screw holes
15	6190542	2	Screw A4 RX PT 4-20x10			
16	6320233	1m	Adhesive tape 3M VHB 4905F			
17	6907940	1	Battery holder			
18	6370832	1	Cover right			Battery side, Including screw
19	6370833	1	Cover left			Including screw

E



<i>F Battery and Battery Charger</i>						
Pos	Art. No.	Qty	Description	From ser. No.	Up to ser. No.	Remarks
1	NEA 0100-083	1	Battery			
2	8350891-031	1	Battery Holder			
3	NEA 8000-WW	1	Battery Charger			
4	NEA 8000-AU	1	Battery Charger			Also for Japan

F



Maxi Twin

Preventive Maintenance Parts/Recommended Spares

Preventive Maintenance Parts	Part number	Number of Maxi Twin*		Page
		1	5	
Front Castor kit, Ø100mm	8547058	2	10	A:3
Rear Castor kit, braked Ø100mm	8547059	2	10	A:12

Recommended Spares	Part number	Number of Maxi Twin*		Page
		1	5	
4 function Hand control	8560016	1	2	B:50
6 function Hand control	8560020	1	2	B:50
Actuator, LA34	6379241	1	1	B:12
Battery	NEA 0100-083	1	2	F:1
Bearing	KTX82431-00	2	4	B:14
Bearing	KTX82421-00	2	4	C:2,D:2
Bearing	6306148	1	2	C:5,D:5,E:8
Cap	KTX82756-20	2	4	B:19,C:25, D:11,E:12
Clevis pin, 10 dia	KPX11400.0	1	1	A:16
Cover, Jib right (with screw holes)	8361234-036	1	2	C1:7,C2:7 D:7
Cover, Jib left	8361233-036	1	2	C1:6,C2:6 D:6
Cover, scale bracket	8359737-20	1	2	E:13
Cover, scale bracket (with screw holes)	8359447-20	1	2	E:14
Cover, scale spreader bar	8359930-20	1	2	C3:6
Cover, scale spreader bar (with screw holes)	8359931-20	1	2	C3:7
Cover, spreader bar	KTX82474-20	2	4	C:20,D:22
Fuse	6379136	1	2	B:32
Fuse	6379050	1	2	B:33
Hand control holder, bottom	8361058-035	1	2	B:9
Hand control holder, top	8361059-035	1	2	B:10
Nut locking A4 DIN 985 M8-80	6210044	3	6	B:18 C:23 D:9 E:11
PCB	8663772	1	1	B:26
Pin, 2 x 10 LG	KTX82746-00	2	4	B:17,C:24 D:13,E:16
Pivot bolt, actuator and scale	KTX82745-00	2	4	B:16,E:9
Pivot bolt, jib	KTX82744-00	1	2	C:22,D:8
Powered DPS loom 3	8358597	1	2	C2,C3:27
Retaining clip (Not for DPS)	8459263	4	20	D:12
Safety fastner	JX68800.0	2	4	A:17
Vertical pin	KTX82477-00	1	1	C:3,D:3

*For larger numbers of Maxi Twin than 5 add the same number of parts as between 1 and 5 for every increase of 5 Maxi Twin. Note. If the same quantity is recommended for 1 and 5 Maxi Twin's no addition should be done before an increase of 15.

Maxi Twin

Service Articles and Special Tools

Service Articles	Type	Quantity	Part number
Shell Cassida RLS2	Lubrication	400ml cartridge	6907792
Loctite 243	Locking	10ml	6950607
Loctite 495	Glue	20g	6311090
Cyberbond 2028	Glue	50g	6311451
Touch-up paint	Grey	20ml	6951007-031
Touch-up paint	Light blue (014)	20ml	6951007-024

Special Tools	Part number
Angle Plate	04063
Battery Condition Tester (Electric version)	8662950
Spare Part bulb for 8662950	S6311425
Clamp for friction pads	8361671
Clip for friction pads	8461669
Leg Measurement Tool	04064
Load Test Equipment: Eye Hook	ST240
Load Test Equipment: Hand control and Load cell	ST164
Load Test Equipment: Hinge Beam	ST239
Load Test Equipment: Load Cell Housing	ST241
Load Test Equipment: Strap	2xST171
Load Test Equipment: Strap (long)	2xST166
Load Test Equipment: Strap (short)	2xST165
Logger	8559816
Sling Clip Gauge	ST331
Special Tool	ST252

ARJOHUNTLEIGH

GETINGE GROUP

GETINGE GROUP is a leading global provider of products and systems that contribute to quality enhancement and cost efficiency within healthcare and life sciences. We operate under the three brands of ArjoHuntleigh, GETINGE and MAQUET. ArjoHuntleigh focuses on patient mobility and wound management solutions. GETINGE provides solutions for infection control within healthcare and contamination prevention within life sciences. MAQUET specializes in solutions, therapies and products for surgical interventions and intensive care.

