



This manual has been prepared for the owners and operators of the ARMEDICA™ AM-Series Hi-Lo Treatment Tables. It contains installation instructions, precautionary instructions and maintenance procedures for the following model numbers:

**AM-100, AM-150, AM-200, AM-250,
AM-300, AM-350, AM-353, AM-400,
AM-450, AM-500, AM-550**



ISO 13485
FM 50089

Made in the U.S.A

AM-SERIES HI-LO TREATMENT TABLES

Armedica Treatment Tables are intended to be used as physical therapy supports for patients during clinician attended physical therapy related diagnosis, treatment, and monitoring. The table is equipped with a vertical table height adjustment actuator and casters for mobile transport.

Patients are not to be left unattended.

INSTALLATION

1. Remove all packaging material from the tables.
2. There is no assembly required on the ARMEDICA™ Treatment Tables.
3. Plug the power cord into a properly grounded 120 Volt AC outlet and follow the procedure outlined in the Precautionary Instructions.
4. The table is equipped with leveling glides to be used where necessary to achieve maximum stability.
5. The motor is equipped with a thermal cutout that protects it from overheating.

PRECAUTIONARY INSTRUCTIONS

1. Read, understand and practice the precautionary instructions in this manual. Know the limitations and the hazards associated with the ARMEDICA™ Treatment Tables.
2. The motor is double insulated for protection from EMI. This equipment has been tested and found to comply with the limits for medical devices to the IEC 60601-1-2: Third edition 2007-03. These limits are designed to provide reasonable protection against harmful interference in a typical medical installation. This equipment generates, uses and can radiate radio frequency energy and, if not installed and used in accordance with the instructions, may cause harmful interference to other devices in the vicinity. However, there is no guarantee that interference will not occur in a particular installation. If this equipment does cause harmful interference to other devices, which can be determined by turning the equipment off and on, the user is encouraged to try to correct the interference by one or more of the following measures:
 - Reorient or relocate the receiving device.
 - Increase the separation between the equipment.
 - Connect the equipment into an outlet on a circuit different from that to which the other device(s) are connected.
 - Consult the manufacturer or field service technician for assistance.
3. Always disengage the caster system when the table has been placed in the desired location for patient use.
4. Always use both hands when changing the angle of any section of the table.
5. Never change the angle of any section when the patient's weight is on that section.
6. Never place your hands or feet nor the patient's hands or feet near any of the working mechanisms of the table when raising or lowering the table.
7. **Never leave patient unattended.**

OPERATING INSTRUCTIONS

To adjust the height of the ARMEDICA™ Treatment Tables, a low voltage hand switch or foot switch is used to activate the electric motor assembly. The up or down motion is clearly indicated by arrows.

Duty cycle on/off Int. 1 min./ 9 min.

TABLE SECTION ADJUSTMENTS

The sections of the ARMEDICA™ Treatment Tables are raised by lifting them with both hands. The locking mechanism holds them securely at any angle. To lower a section hold it in one hand and release the locking mechanism by turning the knob with the other.

CAUTION: When lowering any of the table sections, make certain that your hands are placed where they cannot come in contact with the board supports.

CAUTION: When adjusting the sections with the patient on the table, be sure that the patient's weight is not on the section you are going to adjust.

To adjust the center section on the AM-300 and AM-500 the spring-loaded lock must be released before the section can be raised.

CAUTION: When the center section is lowered, make sure that the lock is properly engaged. To adjust the foot section on the AM-400 and AM-450, rotate the knob to the unlock position. To adjust the arm rest on the 3 piece head section, use two hands placed on each end and pull out to the side then raise or lower into the up or down position and release.

CAUTION: Make sure the arm rest on the 3 piece head section is locked securely in position before the patient places any weight on it.

POWER ASSISTED CASTER SYSTEM

To activate the casters, the table must be elevated at least 6 inches above the minimum height. Pull to slide the caster lever bar toward the foot end of the table and lock into position. Lower the table to the minimum height. The table is now on casters and can be repositioned. When the table is in the desired location raise it up 6 inches, lift the lever bar and slide in toward the head of the table. This will move the activator support bar forward and disengage the caster system. If the table is not level in its new location, adjust the leveling glides to insure maximum stability.

MAINTENANCE

The ARMEDICA™ Treatment Tables are equipped with a maintenance free electric motor. The moving parts of the table should have a drop of oil placed on them approximately every six months.

Frequently check to make certain that all hardware (nuts, bolts, etc.) are properly adjusted and securely fastened.

In the event it becomes necessary to replace the hand switch, foot switch or the power cord, make certain that the plug is in properly and the locking tabs on the motor snaps in place.

The vinyl cover should be cleaned with mild soap and water and the table frame wiped with a dry cloth to remove dust and lint when necessary.

SYMBOLS AND INDICATORS



Attention: Consult accompanying documents.



Type B Equipment: "An adequate degree of protection against electric shock is provided, particularly regarding leakage currents and reliability of the protective earth connection."



The grounding pin located on the power supply cable is for Functional use only, and is present for EMI/ EMC purposes. The motor is Class II equipment and does not rely on this grounding means for safety.

TROUBLE SHOOTING

MOTOR DOESN'T WORK.

- A. Check to see if motor is plugged into receptacle, and the power cord is properly plugged into the motor.
- B. Make sure receptacle is getting power.
- C. Check hand switch or foot switch to be sure it is plugged in.
- D. Thermal cutout may have activated. Allow the motor to cool.
- E. In the event there is a failure of the motor, the motor must be returned to Armedica Mfg. Corp. The motor must be serviced by the manufacturer.

MOTOR SPECIFICATIONS

Magnetic Corp., Olney, Illinois 62450
Model MAX 65-A200415A1001-000.
Rated Voltage and Frequency 120V 60HZ.
Current 1.8 Amps.
UL CORD SET 140-355
Duty cycle: on/off Int. 1 min. / 9 min.

Transport and Storage

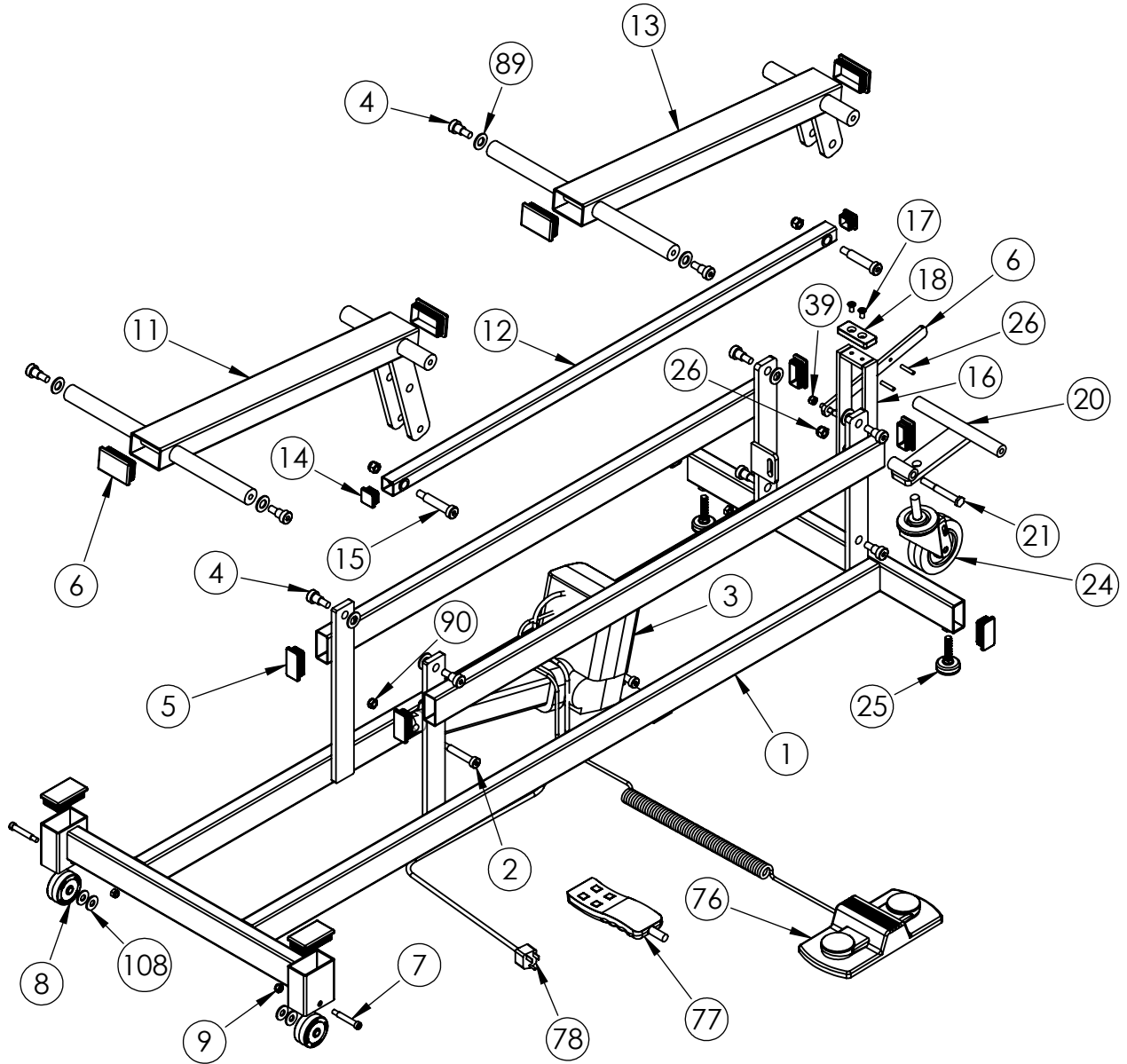
Ambient Temperature: -20 to 70deg. C
Relative Humidity: 10 to 100%, including condensation
Atmospheric Pressure: 500hPa to 1030hPa

TABLE LIFTING CAPACITY: 400 LBS. (181 KILOGRAMS)

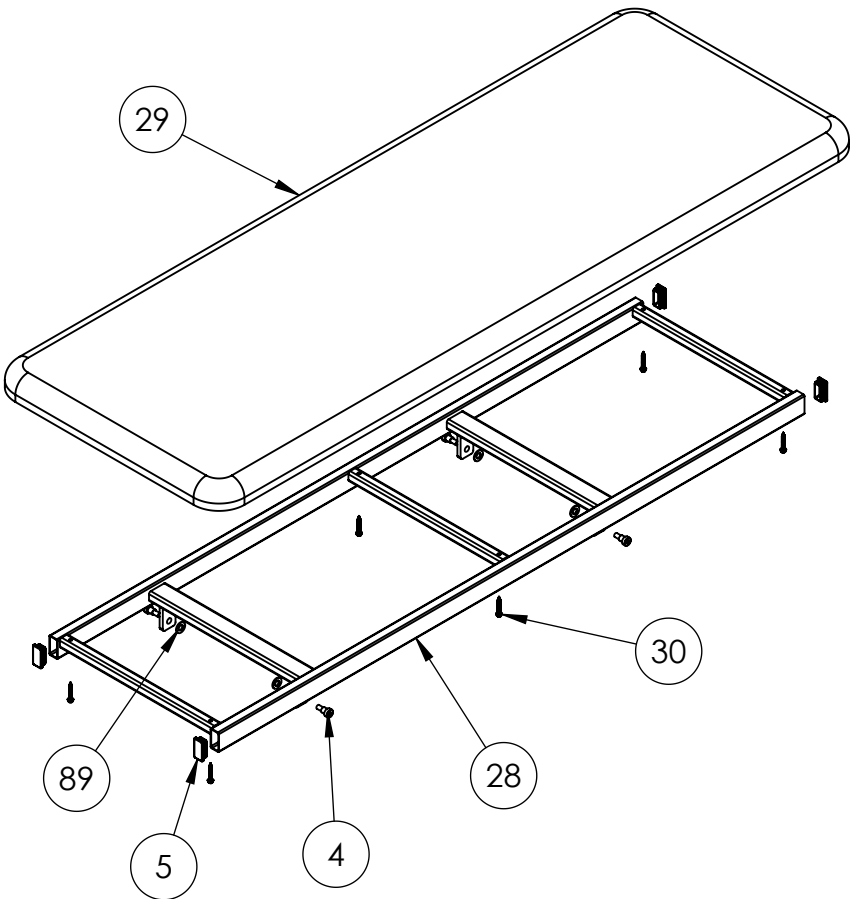
| PARTS LIST | | | | | | | | |
|------------|----------|--|----------|-----|-----|-----|-----|-----|
| ITEM NO. | PART NO. | DESCRIPTION | QUANTITY | | | | | |
| | | | 100 | 200 | 300 | 350 | 400 | 500 |
| | | | 150 | 250 | | 353 | 450 | 550 |
| 1 | 18107 | BASE FRAME | 1 | 1 | 1 | 1 | | 1 |
| 2 | 02025 | BOLT SHOULDER M 12x50 | 2 | 2 | 2 | 2 | 2 | 2 |
| 3 | 03105 | MOTOR MAX65 8000N 120V | 1 | 1 | 1 | 1 | 1 | 1 |
| 4 | 02015 | BOLT SHOULDER 1/2x1/2 | 10 | 10 | 10 | 10 | 10 | 10 |
| 5 | 03015 | PLUG 1x2 | 10 | 10 | 10 | 10 | 11 | 10 |
| 6 | 03020 | PLUG 1-1/2x2-1/2 | 6 | 6 | 6 | 6 | 6 | 6 |
| 7 | 02010 | BOLT SHOULDER 5/16x1-1/2 | 2 | 2 | 2 | 2 | 2 | 2 |
| 8 | 03055 | WHEEL 2x7/8 | 2 | 2 | 2 | 2 | 2 | 2 |
| 9 | 02100 | NUT NYLOCK 1/4-20 | 2 | 4 | 10 | 6 | 8 | 8 |
| 10 | 02115 | NUT NYLOCK M10-1.5 | 2 | 2 | 2 | 2 | 2 | 2 |
| 11 | 18113 | LIFTING ARM HEAD END | 1 | 1 | 1 | 1 | 1 | 1 |
| 12 | 18184 | CONTROL ROD 3 PC | 1 | 1 | 1 | 1 | 1 | 1 |
| 13 | 18111 | LIFTING ARM FOOT END | 1 | 1 | 1 | 1 | 1 | 1 |
| 14 | 03010 | PLUG 1x1 | 6 | 6 | 6 | 6 | 6 | 6 |
| 15 | 02020 | BOLT SHOULDER 1/2x2 | 2 | 2 | 2 | 2 | 2 | 2 |
| 16 | 18123 | CASTER YOKE BRACKET | 1 | 1 | 1 | 1 | 1 | 1 |
| 17 | 02060 | SCREW FLAT HEAD PHIL 1/4-20x1/2 | 2 | 2 | 2 | 2 | 2 | 2 |
| 18 | 13098 | BUMPER CASTER YOKE | 1 | 1 | 1 | 1 | 1 | 1 |
| 19 | 12006 | BAR 1/4x3/4x8-5/8 CSTR LK LVR | 1 | 1 | 1 | 1 | 1 | 1 |
| 20 | 18121 | CASTER PIVOT BRACKET | 1 | 1 | 1 | 1 | 1 | 1 |
| 21 | 02049 | SCREW HEX HEAD 3/8x3 | 1 | 1 | 1 | 1 | 1 | 1 |
| 22 | 02090 | NUT NYLOCK 1/2-13 | 1 | 1 | 1 | 1 | 2 | 1 |
| 23 | 02145 | WASHER 1/2 | 1 | 1 | 2 | 1 | 1 | 2 |
| 24 | 03050 | CASTER SWIVEL | 1 | 1 | 1 | 1 | 1 | 1 |
| 25 | 03060 | GLIDE LEVELER BASE | 2 | 2 | 2 | 2 | 2 | 2 |
| 26 | 02110 | NUT NYLOCK 3/8-16 | 3 | 3 | 3 | 3 | 3 | 3 |
| 27 | 02130 | NUT HEX FINISH 5/16-18 | 1 | 1 | 1 | 1 | 1 | 1 |
| 28 | 18136 | TOP FRAME 100 | 1 | | | | | |
| 29 | 14827 | UPHOLSTERED BOARD 100 TOP 27" | 1 | | | | | |
| 30 | 02070 | SCREW HEX WASHER HEAD #14x1-3/4 | 6 | | | | | |
| 31 | 18138 | TOP FRAME 200 | | 1 | | | | |
| 32 | 02075 | SCREW HEX WASHER HEAD #14x2-1/2 | | 6 | | | | |
| 33 | 13016 | THREADED ROD 1/2x21 HEAD SECTION | | 1 | 1 | 1 | 1 | 1 |
| 34 | 03070 | KNOB WING 1/2X13 ID | | 2 | 6 | 4 | 4 | 4 |
| 35 | 13095 | PLASTIC SPACER | | 2 | 2 | 2 | 2 | 2 |
| 36 | 03030 | TORSION SPRING LESS BEND RIGHT | | 1 | 1 | 1 | 1 | 1 |
| 37 | 18446 | ROD 1/2x11-11/16 HEAD SECTION SUPPORT | | 2 | 2 | 2 | 2 | 2 |
| 38 | 02035 | SCREW BUTTON HEAD 5/16x1-1/2 | | 2 | 6 | 4 | 4 | 6 |
| 39 | 02105 | NUT NYLOCK 5/16-18 | 1 | 3 | 7 | 5 | 7 | 7 |
| 40 | 02065 | SCREW HEX WASHER HEAD #14x1 | | 4 | 14 | 14 | 4 | 14 |
| 41 | 18115 | HEAD SECTION FRAME | | 1 | 1 | 1 | | |
| 42 | 03040 | TORSION SPRING LESS BEND LEFT | | 1 | 1 | 1 | 1 | 1 |
| 43 | 02005 | BOLT SHOULDER 5/16x3/4 | | 2 | 6 | 4 | 4 | 6 |
| 44 | 02135 | NUT HEX THIN PATTERN 1/2-13 | | 2 | 6 | 4 | 4 | 6 |
| 45 | 18127 | LOCK SUPPORT BRACKET | | 2 | 6 | 4 | 4 | 6 |
| 46 | 14812 | UPHOLSTERED HEAD BOARD 27" | | 1 | 1 | 1 | 1 | |
| 47 | 14826 | UPHOLSTERED BODY BOARD 200 27" | | 1 | | | | |
| 48 | 14813 | UPHOLSTERED CENTER BOARD 27" | | | 1 | 1 | | 1 |
| 49 | 14814 | UPHOLSTERED FOOT BOARD 27" | | | 1 | 1 | | 1 |
| 50 | 03065 | GLIDE 1/4-20x1 | | | 4 | 2 | | 4 |
| 51 | 13026 | THREADED ROD 1/2x23 FOOT SECTION | | | 2 | 1 | 1 | 1 |
| 52 | 03035 | TORSION SPRING LEFT | | | 2 | 1 | 1 | 2 |
| 53 | 03025 | TORSION SPRING RIGHT | | | 2 | 1 | 1 | 2 |
| 54 | 18444 | ROD 1/2x24-3/16 FOOT SECTION SUPPORT | | | 2 | 2 | | 2 |
| 55 | 18140 | TOP FRAME 300 | | | 1 | | | |
| 56 | 18119 | FOOT SECTION FRAME | | | 1 | 1 | | |
| 57 | 18117 | CENTER SECTION FRAME 300 | | | 1 | | | |
| 58 | 18144 | CENTER SECTION LOCK BAR 300 | | | 1 | | | |
| 59 | 03095 | SPRING M30 EXTENSION | | | 1 | | | |
| 60 | 13021 | THREADED ROD 1/2x23 CENTER SECTION | | | 1 | | | |
| 61 | 18448 | ROD 1/2x8-11/16 CENTER SECTION SUPPORT | | | 2 | | | |
| 62 | 14801 | UPHOLSTERED ARMREST LEFT | | 1 | | | 1 | 1 |

| PARTS LIST | | | | | | | | |
|------------|----------|---|----------|-----|-----|-----|-----|-----|
| ITEM NO. | PART NO. | DESCRIPTION | QUANTITY | | | | | |
| | | | 100 | 200 | 300 | 350 | 400 | 500 |
| | | | 150 | 250 | | 353 | 450 | 550 |
| 63 | 14800 | UPHOLSTERED ARMREST RIGHT | | 1 | | | 1 | 1 |
| 64 | 14802 | UPHOLSTERED HEAD BOARD 500 | | 1 | | | 1 | 1 |
| 65 | 18150 | HEAD SECTION FRAME 500 | | 1 | | | 1 | 1 |
| 66 | 02044 | SCREW HEX HEAD 1/4-20x1-1/4 | | 4 | | | 4 | 4 |
| 67 | 02143 | FENDER WASHER 1/4"IDx1"OD | | 2 | | | 2 | 2 |
| 68 | 02042 | BUTTON HEAD SCREW 1/4-20x1/2 | | 2 | | | 2 | 2 |
| 69 | 02175 | SPRING PIN 1/4x1-1/2 | | 2 | | | 2 | 2 |
| 70 | 03096 | SPRING M52 | | 2 | | | 2 | 2 |
| 71 | 03005 | PLUG 1/2x1 | | 4 | | | 4 | 4 |
| 72 | 18152 | ARMREST BRACKET LEFT | | 1 | | | 1 | 1 |
| 73 | 18154 | ARMREST BRACKET RIGHT | | 1 | | | 1 | 1 |
| 74 | 03073 | KNOB PULL 1/2-13 ID | | 2 | | | 2 | 2 |
| 75 | 18291 | TOP FRAME 350 | | | | 1 | | |
| 76 | 03106 | FOOTSWITCH MAX65 8000N | 1 | 1 | 1 | 1 | 1 | 1 |
| 77 | 03113 | HAND SWITCH MAX65 (OPTIONAL) | 1 | 1 | 1 | 1 | 1 | 1 |
| 78 | 03107 | POWER CORD | 1 | 1 | 1 | 1 | 1 | 1 |
| 79 | 12511 | STRAP HOOK 400 | | | | | 2 | |
| 80 | 14501 | UPHOLSTERED THORACIC BOARD AM-400 | | | | | 1 | |
| 81 | 14502 | UPHOLSTERED LUMBAR BOARD AM-400 | | | | | 1 | |
| 82 | 14503 | UPHOLSTERED FOOT BOARD AM-400 | | | | | 1 | |
| 83 | 18452 | ROD 1/2x18 FOOT SECTION SUPPORT | | | | | 1 | |
| 84 | 13504 | THREADED ROD 17-1/4 FT SECTION LOCK-400 | | | | | 1 | |
| 85 | 18501 | ROLLER FRAME AM-400 | | | | | 1 | |
| 86 | 03066 | BEARING KILLIAN F300 | | | | | 4 | |
| 87 | 18516 | HANDLE LOCK RELEASE400 RIGHT | | | | | 1 | |
| 88 | 02095 | NUT NYLOCK 1/2-13 THIN PATTERN | | | 1 | | 2 | 1 |
| 89 | 02165 | WASHER NYLON 1/2 ID | 10 | 10 | 11 | 10 | 12 | 11 |
| 90 | 02045 | SCREW HEX HEAD 1/4-20x1 | | | | | 8 | |
| 91 | 18512 | TOP FRAME AM-400 | | | | | 1 | |
| 92 | 12519 | GEAR RACK PLUNGER LOCK | | | | | 1 | |
| 93 | 12527 | GEAR LOCK PULLER | | | | | 1 | |
| 94 | 13526 | BUSH CAM .515 ID LOCK MECH | | | | | 1 | |
| 95 | 18522 | HANDLE LOCK RELEASE 400LEFT | | | | | 1 | |
| 96 | 18506 | FOOT SECTION FRAME AM- 400 | | | | | 1 | |
| 97 | 06035 | DECAL LOCK/UNLOCK RIGHT | | | | | 1 | |
| 98 | 06036 | DECAL UNLOCK/LOCK LEFT | | | | | 1 | |
| 99 | 18520 | BASE FRAME AM-400 | | | | | 1 | |
| 100 | 18514 | FRAME MACHINE STAND AM-400 | | | | | 2 | |
| 101 | 03008 | PLUG 1x1-1/2 | | | | | 2 | |
| 102 | 12751 | PLATE 1/8x6-1/2 | | | | | 1 | |
| 103 | 14508 | ADAPTER BOARD | | | | | 1 | |
| 104 | 03125 | KNOB "T" SPRNG LOAD PULL PIN 1/4DIA | | | | | 1 | |
| 105 | 02162 | SPACER PLASTIC .33 IDx.565 ODx.56 | | | | 2 | 2 | 2 |
| 106 | 02160 | WASHER NYLON 5/16 ID | | 4 | 12 | 8 | 8 | 8 |
| 107 | 02166 | SPACER NYLON 1-1/4ODx17/64IDx3/4 | | 6 | | | | |
| 108 | 02150 | WASHER 5/16 | 4 | 12 | 6 | 6 | 6 | 4 |
| 109 | 12525 | BAR GEAR RACK 1/2x1/2x8-1/2 | | | | | 1 | |
| 110 | 02170 | PIN SPRING 3/16x1 | | 2 | 6 | 4 | 4 | 4 |
| 111 | 03019 | CAP 3/8 BLACK | | | | | 2 | |
| 112 | 02030 | BOLT CARRIAGE 1/4-20x2 | | | | | 1 | |
| 113 | 02120 | NUT HX FIN 1/4-20 | | | 2 | 2 | 2 | 2 |
| 114 | 02188 | BOLT SHLDR 5/16X1-1/4 | | | | 2 | | |
| 115 | 03013 | CAP .312x4 BLK PLASTIC TUBE | | | | | 2 | |
| 116 | 02054 | SCREW HX HD CAP 1/4-20x1-3/4 | | | | | 4 | |
| 117 | 02073 | SCREW FLT HD PHIL 1/4-20x1-1/2 | | | | | 2 | |
| 118 | 02039 | SCREW HX HD CAP 5/16-18x1-1/4 | | | | | 1 | |
| 119 | 02089 | NUT NYLOCK 10-32 | | | | | 1 | |
| 120 | 02097 | NUT HX FIN 10-32 | | | | | 1 | |
| 121 | 02095 | NUT NYLOCK JAM 1/2-13 | | | | | 1 | |
| 122 | 02168 | SPACER NYLON .980 ODx.352 IDx1/2 | | | | | 1 | |
| 123 | 02101 | SCREW PAN HD PHIL 10-32x1 | | | | | 1 | |
| 124 | 13521 | ROD 1/2x23 THD'D 400 CAM LOCK PLTD | | | | | 1 | |

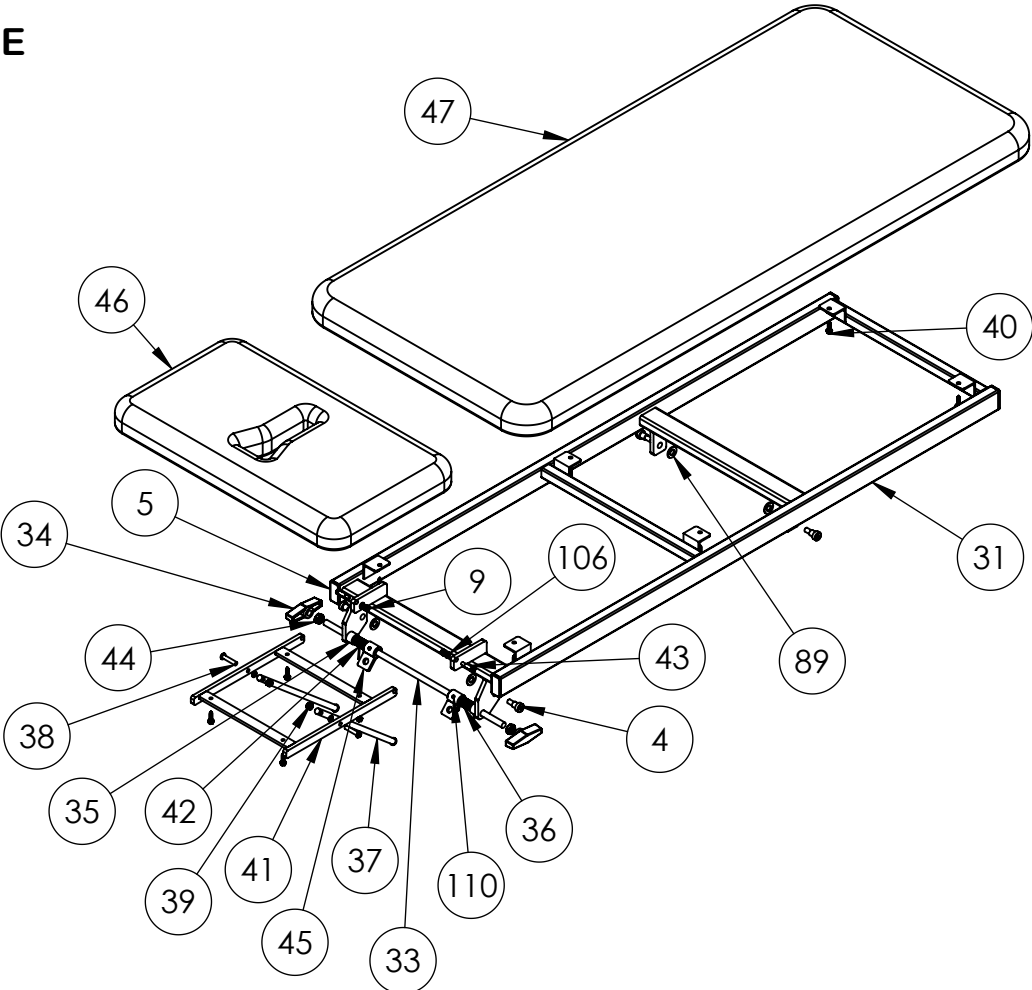
TABLE BASE AM SERIES



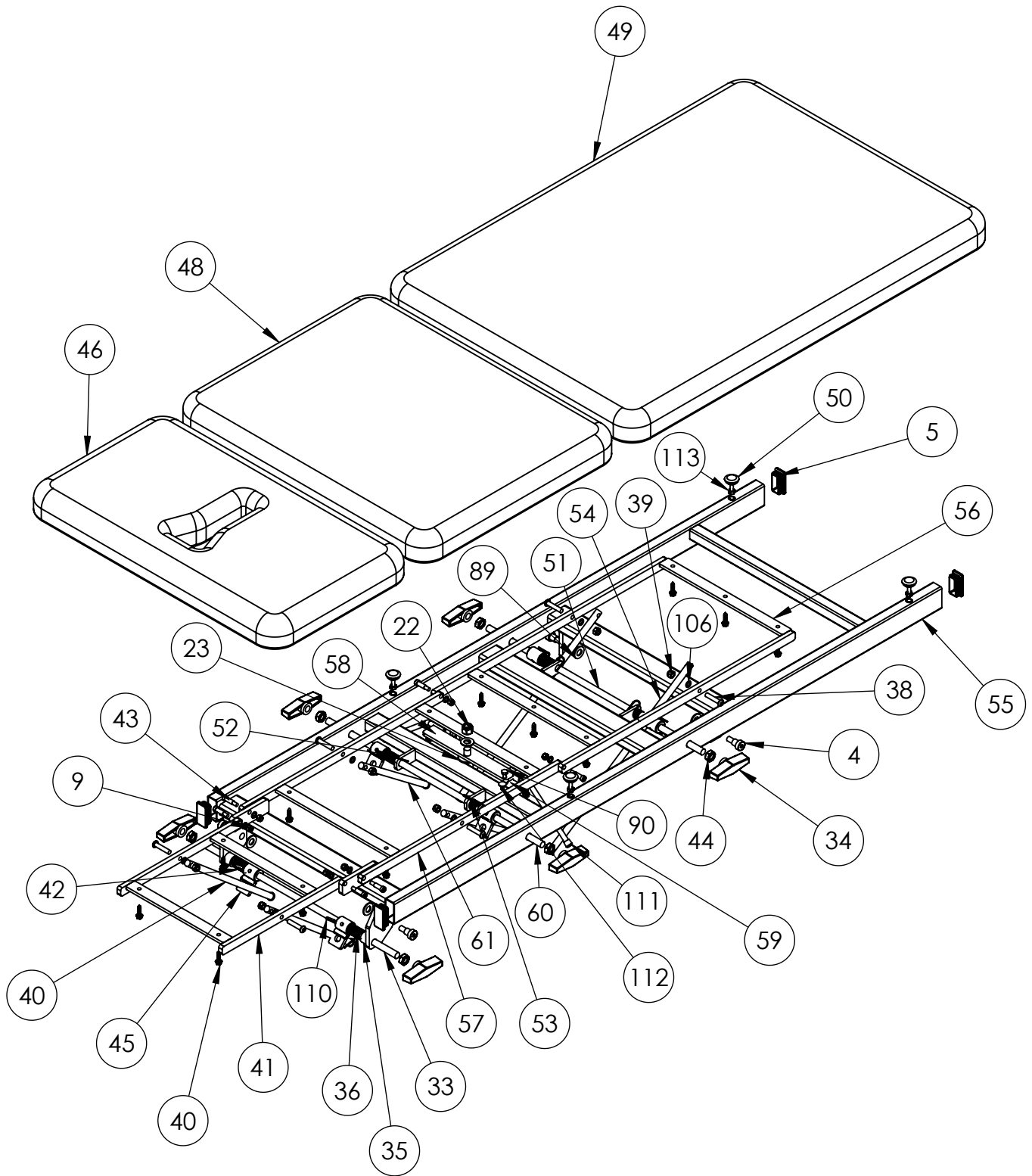
**TOP FRAME
AM-100**



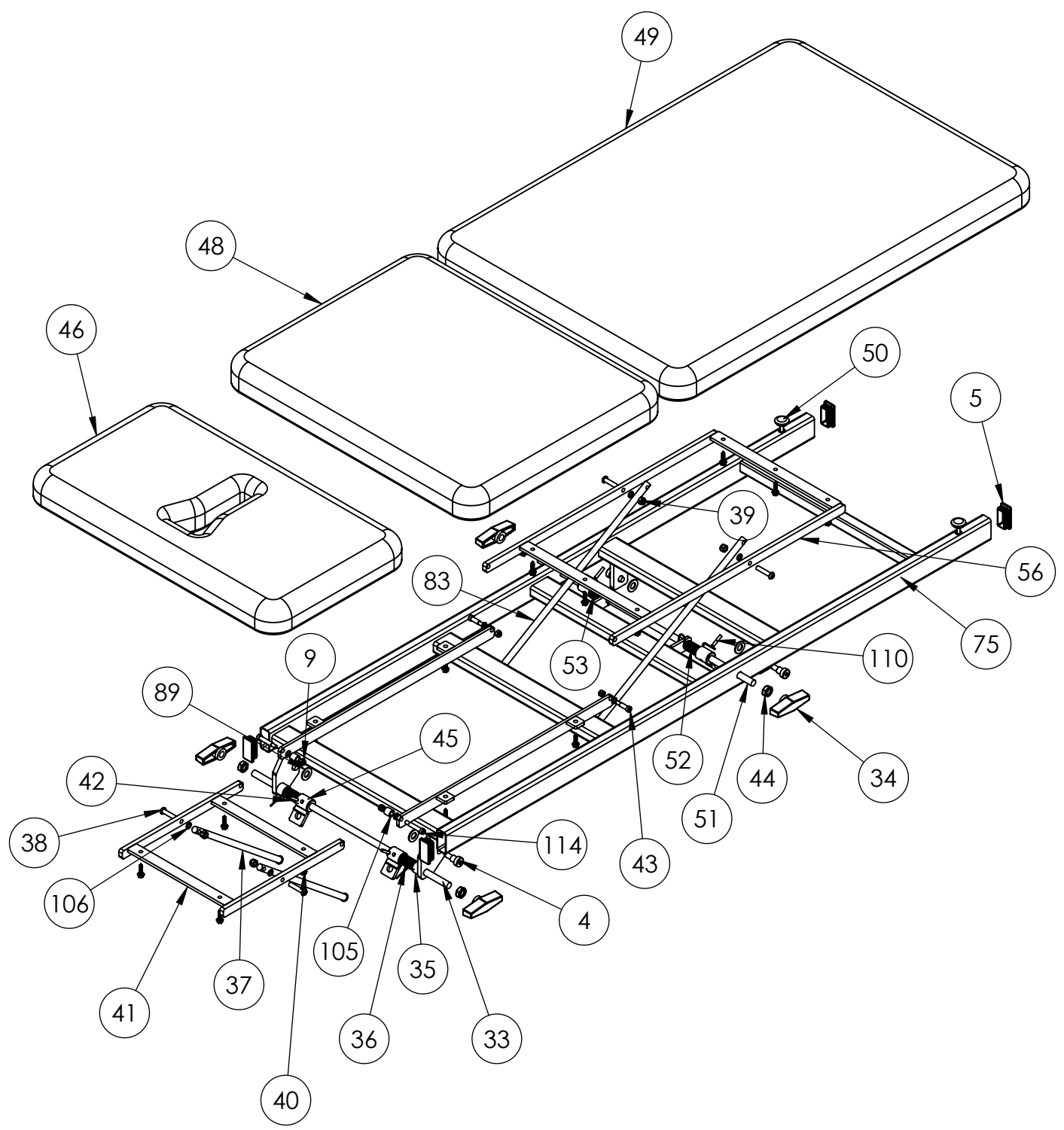
**TOP FRAME
AM-200**



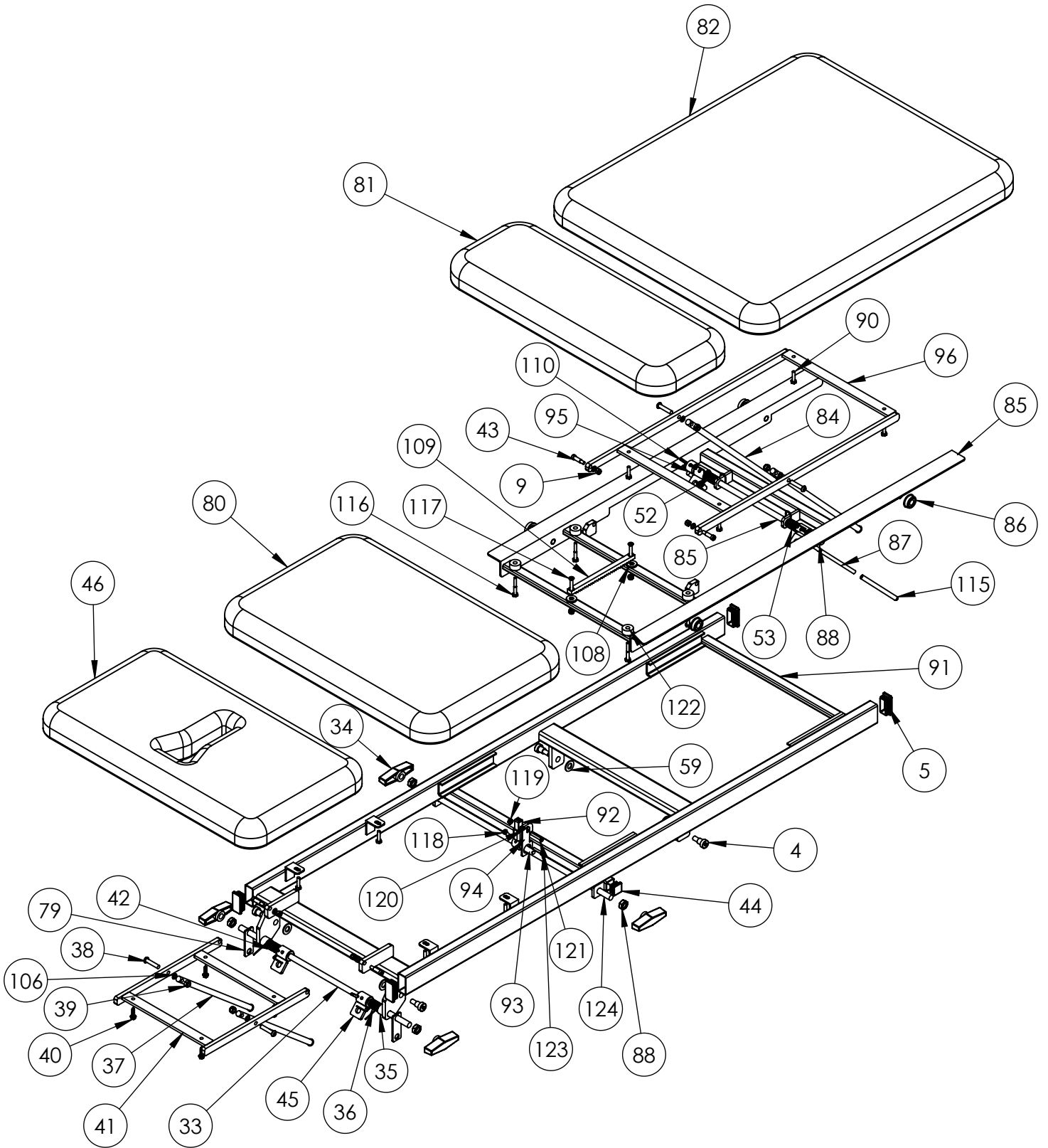
**TOP FRAME
AM-300**



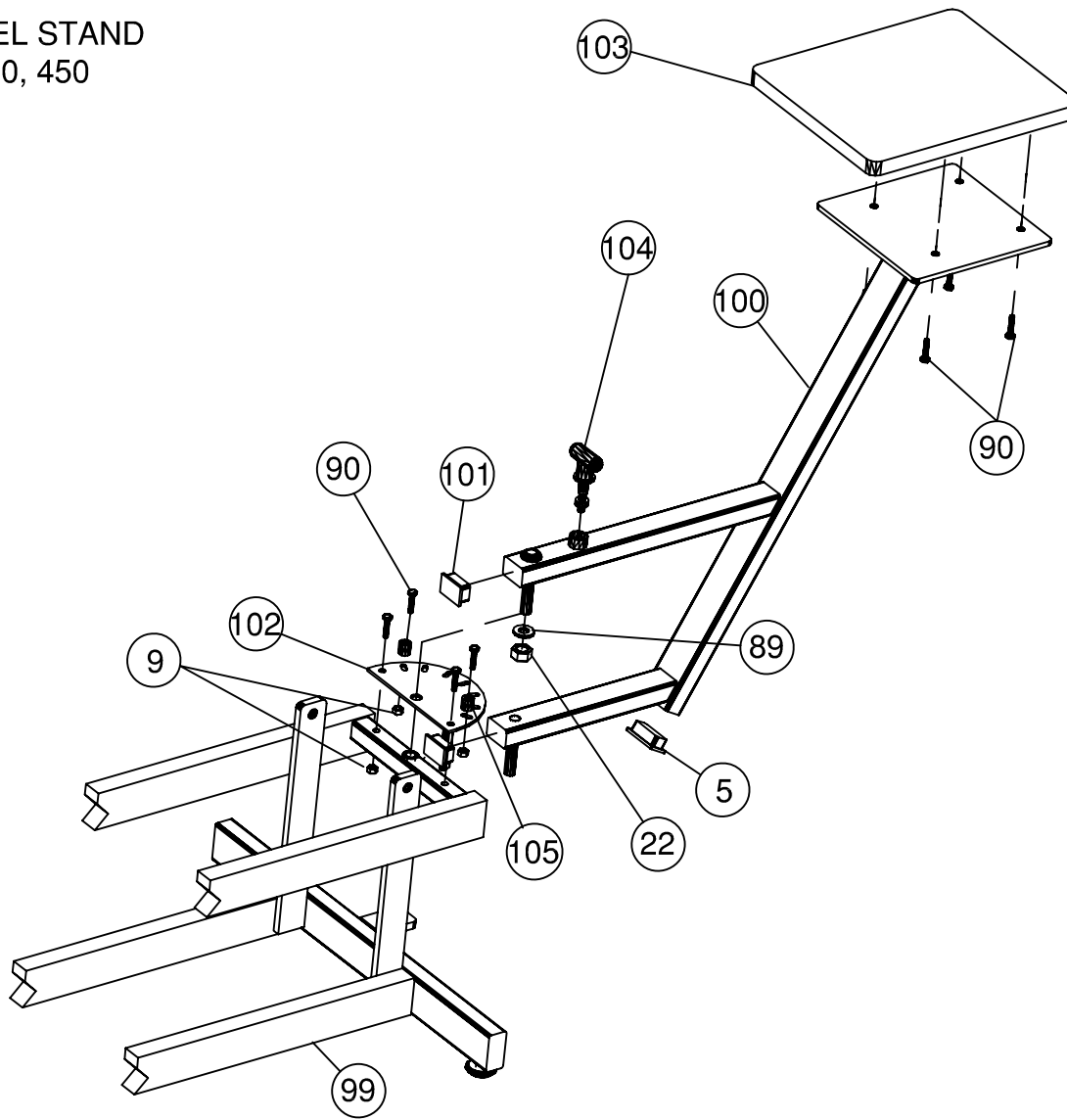
TOP FRAME AM-350



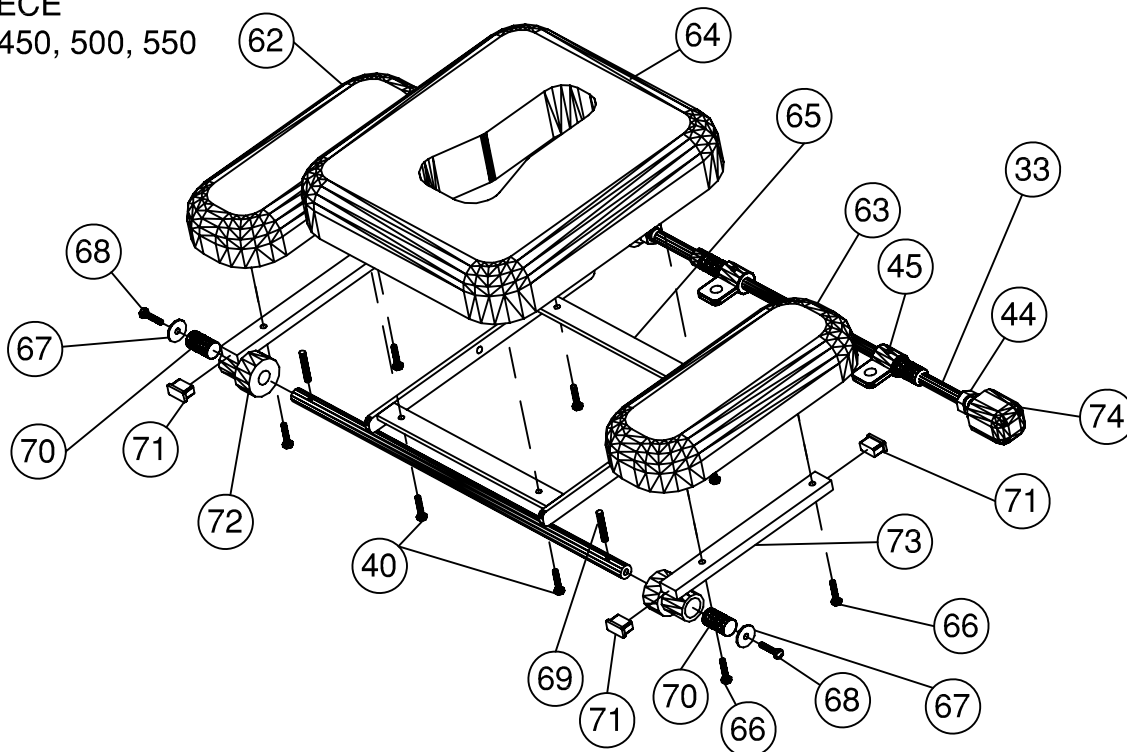
**TOP FRAME
AM-400**



SWIVEL STAND
AM-400, 450



HEAD PIECE
AM-250, 450, 500, 550



**ARMEDICA™ MANUFACTURING CORP.
LIMITED WARRANTY**

ARMEDICA™ Manufacturing Corp. warrants that the AM Series treatment tables are free from defects in material and workmanship. This warranty shall remain in effect for 18 months from the date of original consumer purchase of the product. If the product fails to function during the warranty period due to a defect in material or workmanship, ARMEDICA™ Manufacturing Corp. or the selling Dealer will repair or replace the table without charge within a 30 day period from the date on which the table is returned to ARMEDICA™ Manufacturing Corp. or the selling Dealer.

THIS WARRANTY DOES NOT COVER




1. Replacement parts or labor furnished by anyone other than ARMEDICA™, Selling Dealer or approved ARMEDICA™ Service Agent.
2. Any failure of the table during the warranty period if the failure is not caused by a defect in material or workmanship or if the failure is caused by unreasonable use, including the failure to provide reasonable and necessary maintenance.

**ARMEDICA™ MANUFACTURING CORP. IS NOT LIABLE FOR INCIDENTAL
OR CONSEQUENTIAL DAMAGE TO PROPERTY OR BUSINESS.**

To obtain service under this warranty, please do the following:

1. A written claim should be sent to ARMEDICA™ Manufacturing Corp., P.O. Box 880, Greenwood, AR. 72936-0880 or the selling Dealer.
2. The table must be returned to ARMEDICA™ Manufacturing Corp. or the selling Dealer.
3. This warranty gives you specific legal rights and you may have other rights, which vary from state to state

ARMEDICA™ does not authorize any person or dealer to create for it any other obligations or liabilities in connection with the sale of the tables. Any representation or agreement not contained in this warranty shall be void.

| | |
|---|---|
| ARMEDICA MANUFACTURING CORP. | |
| Greenwood, AR 72936-0880 | |
| Model No. <input type="text"/> | Serial No. <input type="text"/> |
| DANGER: Risk of explosion if used in the presence of flammable anesthetics. Duty cycle: On/Off Int. 1 min./9 min. | |
| Lifting capacity 400 lb. (181 kg.) 120 Volts 60 Hz 3.0 Amps | |
|  | Medical Electrical Equipment With respect to electrical shock, Fire and mechanical hazards only In accordance with 60601-1 |
| |   |
| | 06008C |