

**Digital Stand-On
Sit-Down Scale
Models 6868 & 6868KGEU
Operating Instructions**



FCC COMPLIANCE STATEMENT

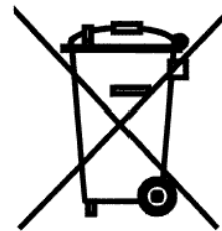
This equipment generates uses and can radiate radio frequency and if not installed and used in accordance with the instruction manual, may cause interference to radio communications. It has been tested and found to comply with the limits for a Class A computing device pursuant to Subpart J of Part 15 of FCC rules, which are designed to provide reasonable protection against such interference when operated in a commercial environment. Operation of this equipment in a residential area may cause interference in which case the user will be responsible to take whatever measures necessary to correct the interference.

You may find the booklet "How to Identify and Resolve Radio TV Interference Problems" prepared by the Federal Communications Commission helpful. It is available from the U.S. Government Printing Office, Washington, D.C. 20402. Stock No. 001-000-00315-4.

PROPER DISPOSAL

When this device reaches the end of its useful life, it must be properly disposed of. It must not be disposed of as unsorted municipal waste. Within the European Union, this device should be returned to the distributor from where it was purchased for proper disposal. This is in accordance with EU Directive 2002/96/EC. Within North America, the device should be disposed of in accordance with the local laws regarding the disposal of waste electrical and electronic equipment.

It is everyone's responsibility to help maintain the environment and to reduce the effects of hazardous substances contained in electrical and electronic equipment on human health. Please do your part by making certain that this device is properly disposed of. The symbol shown to the right indicates that this device must not be disposed of in unsorted municipal waste programs.



COPYRIGHT


All rights reserved. Reproduction or use, without expressed written permission, of editorial or pictorial content, in any manner, is prohibited. No patent liability is assumed with respect to the use of the information contained herein.

DISCLAIMER

While every precaution has been taken in the preparation of this manual, the Seller assumes no responsibility for errors or omissions. Neither is any liability assumed for damages resulting from use of the information contained herein. All instructions and diagrams have been checked for accuracy and ease of application; however, success and safety in working with tools depend to a great extent upon the individual accuracy, skill and caution. For this reason the Seller is not able to guarantee the result of any procedure contained herein. Nor can they assume responsibility for any damage to property or injury to persons occasioned from the procedures. Persons engaging the procedures do so entirely at their own risk.

Serial Number _____
Date of Purchase _____
Purchased Form _____

RETAIN THIS INFORMATION FOR FUTURE USE

<h3>PRECAUTIONS</h3> <p>Before using this instrument, read this manual and pay special attention to all "NOTIFICATION" symbols:</p>  <p>IMPORTANT</p>
--

DIGITAL STAND-ON / SIT-DOWN SCALE

Thank you for purchasing our Model 6868 / 6868KGEU Digital Stand-On / Sit-Down Scale. It has been manufactured with quality and reliability at our factory in Webb City, MO USA. Your scale has been tested before leaving our factory to insure accuracy and dependability for years to come.

This manual is provided to guide you through the operation of your scale. Please read it thoroughly before attempting to operate your scale and keep it handy for future reference.

SPECIFICATIONS

Model 6868

Capacity:	1000 lb x 0.2 lb (360 kg x 0.1 kg)
Platform Size:	32"W x 34"D (81cm W x 86cm D) with non-slip rubber mat
Display:	Six digit, Seven segment, 0.7 inch (17.8 mm) high LCD
Power:	6 "AA" size Alkaline, Ni-Cad or NiMH batteries (<i>not included</i>) OR an optional 100 to 240 VAC 50/60Hz 12 VDC 1A wall plug-in UL/CSA listed AC power adapter (Cardinal part number 6800-1045)
Keyboard:	Membrane type with 5 keys, On/Off, Lock/Release, Units, Zero, BMI/Enter and 4 directional arrows

Model 6868KGEU

Capacity:	360 kg x 0.1 kg
Platform Size:	81cm W x 86cm D (32"W x 34"D) with non-slip rubber mat
Display:	Weight: Five digit, seven segment, 1/2" high LCD Height: Four digit, seven segment, 3/8" high LCD
Power:	6 "C" cell Ni-Cad or NiMH batteries (<i>not included</i>) OR an optional 100 to 240 VAC 50/60Hz 12 VDC 1A wall plug-in UL/CSA listed AC power adapter (Cardinal part number 6800-1045)
Keyboard:	Membrane type with 19 keys, On/Off, Lock/Release, Units, Zero, Net/Gross, Tare ID/Height, Print/Enter and 0-9 Numeric Keys

UNPACKING INSTRUCTIONS

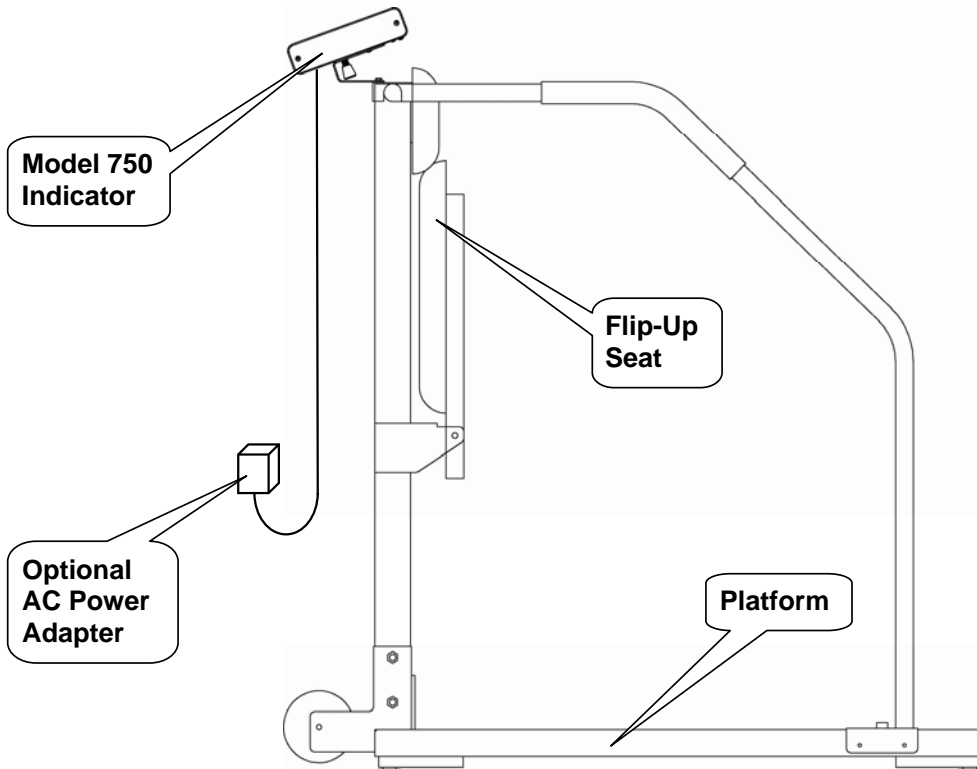
- Remove staples or cut along bottom of carton. Lift carton off pallet.
- Check for any damage incurred in shipping. If scale has been damaged, place a claim with the carrier. *It is the responsibility of the purchaser to file all claims for any damages or loss incurred during transit.* Use the original carton and shipping material to return the scale.
- Cut packing straps securing scale to pallet.
- To remove scale from pallet, at the back of the scale lift up with equal force from the column and at the platform base near the wheels on the scale. Set gently on floor.
- Remove all plastic wrapping, foam fillers and cardboard material from the scale.
- Remove and unpack the AC power adapter, if the scale was ordered with this option.

CARE AND CLEANING OF SCALE

- **DO NOT** subject the platform to sudden shocks.
- **DO NOT** spray water directly on the display.
- **DO** avoid areas where the scale might be exposed to moisture.
- **DO NOT** use abrasive cleaners on this instrument.
- **DO NOT** use acetone or other volatile solvents for cleaning.
- **DO** clean the scale using a damp soft cloth and mild detergent.

OPERATING INSTRUCTIONS

Model 6868 with 750 Indicator (Shown with Seat in Stand-On Position)



NOTE! For more information on installing the batteries, the AC power adapter, mounting the indicator on the scale bracket, or connecting the load cell cable refer to the 750 Owner's Manual, 8555-M483-O1.

1. Install six (6) "AA" size batteries or if ordered with the scale, plug the small connector end of the AC power adapter cord into the power jack located in the bottom right corner at the back of the indicator, then plug the power adapter into an appropriate power receptacle.

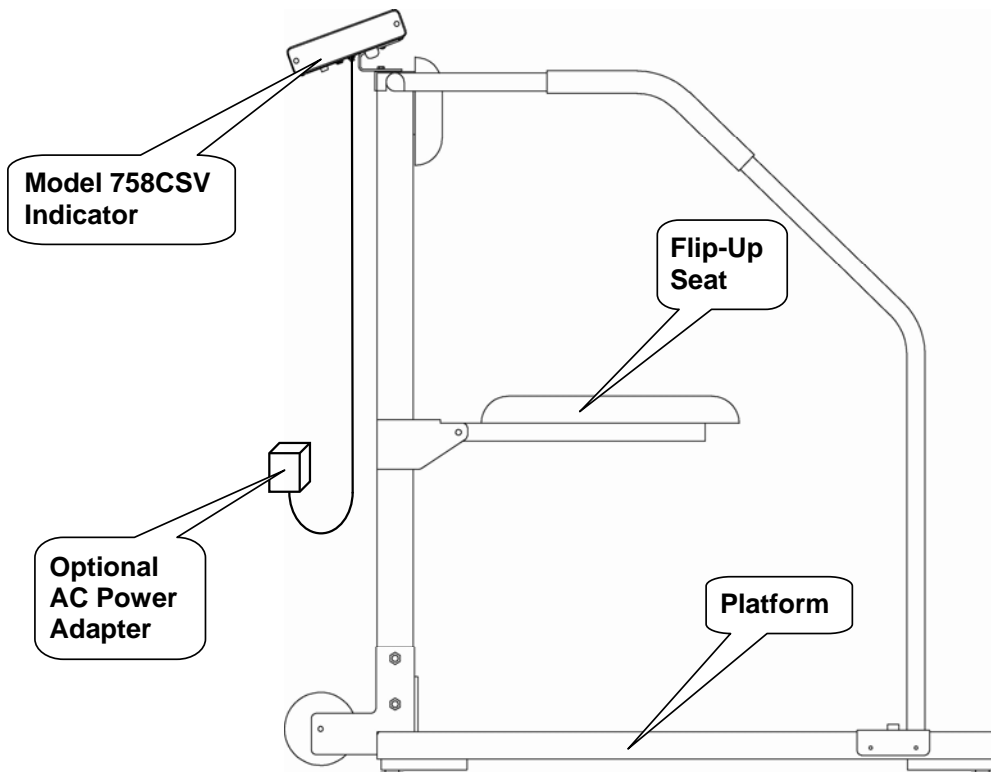


IMPORTANT! The AC power adapter is also used to recharge the batteries, when the 750 is operated from Ni-Cad or NiMH batteries. **DO NOT** connect the AC power adapter to the 750 if using Alkaline batteries.

2. Install the indicator on the scale bracket and then connect the load cell cable.
3. Place the scale on any hard, level, flat surface or low-cut carpet.
4. With no weight on the scale, press the [**ON/OFF**] key. After a second or so the display should indicate a zero weight with the ZERO annunciator turned on. If the display does not indicate zero, press the [**ZERO**] key to zero the weight display.
5. When using as a Stand-On scale (Seat in the upright position), have the patient step on the scale and remain motionless for several seconds until the scale display shows their weight.
6. If using the scale as a Sit-Down scale (Seat in the down position), set the patient on the scale seat and have them remain motionless for several seconds until the scale display shows their weight.
7. To re-zero the scale, remove the patient from the scale and press the [**ZERO**] key.

OPERATING INSTRUCTIONS, CONT.

Model 6868KGEU with 758CSV Indicator (Shown with Seat in Sit-Down Position)



NOTE! For more information on installing the batteries, the AC power adapter, mounting the indicator on the scale bracket, or connecting the load cell cable refer to the 758CSV Owner's Manual, 8555-M433-O1.

1. Install six (6) "C" size (Ni-Cad or NiMH only) batteries or if ordered with the scale, plug the small connector end of the AC power adapter cord into the power jack located on the back of the indicator, then plug the power adapter into an appropriate power receptacle.
2. Install the indicator on the scale bracket and then connect the load cell cable.
3. Place the scale on any hard, level, flat surface or low-cut carpet.
4. With no weight on the scale platform, press the [**ON/OFF**] key. After a second or so the display should indicate a zero weight with the ZERO annunciator turned on. If the display does not indicate zero, press the [**ZERO**] key to zero the weight display.
5. When using as a Stand-On scale (Seat in the upright position), have the patient step on the scale and remain motionless for several seconds until the scale display shows their weight.
6. If using the scale as a Sit-Down scale (Seat in the down position), set the patient on the scale seat and have them remain motionless for several seconds until the scale display shows their weight.
7. To re-zero the scale, remove all weight from the platform and press the [**ZERO**] key.

ERROR and STATUS DISPLAYS

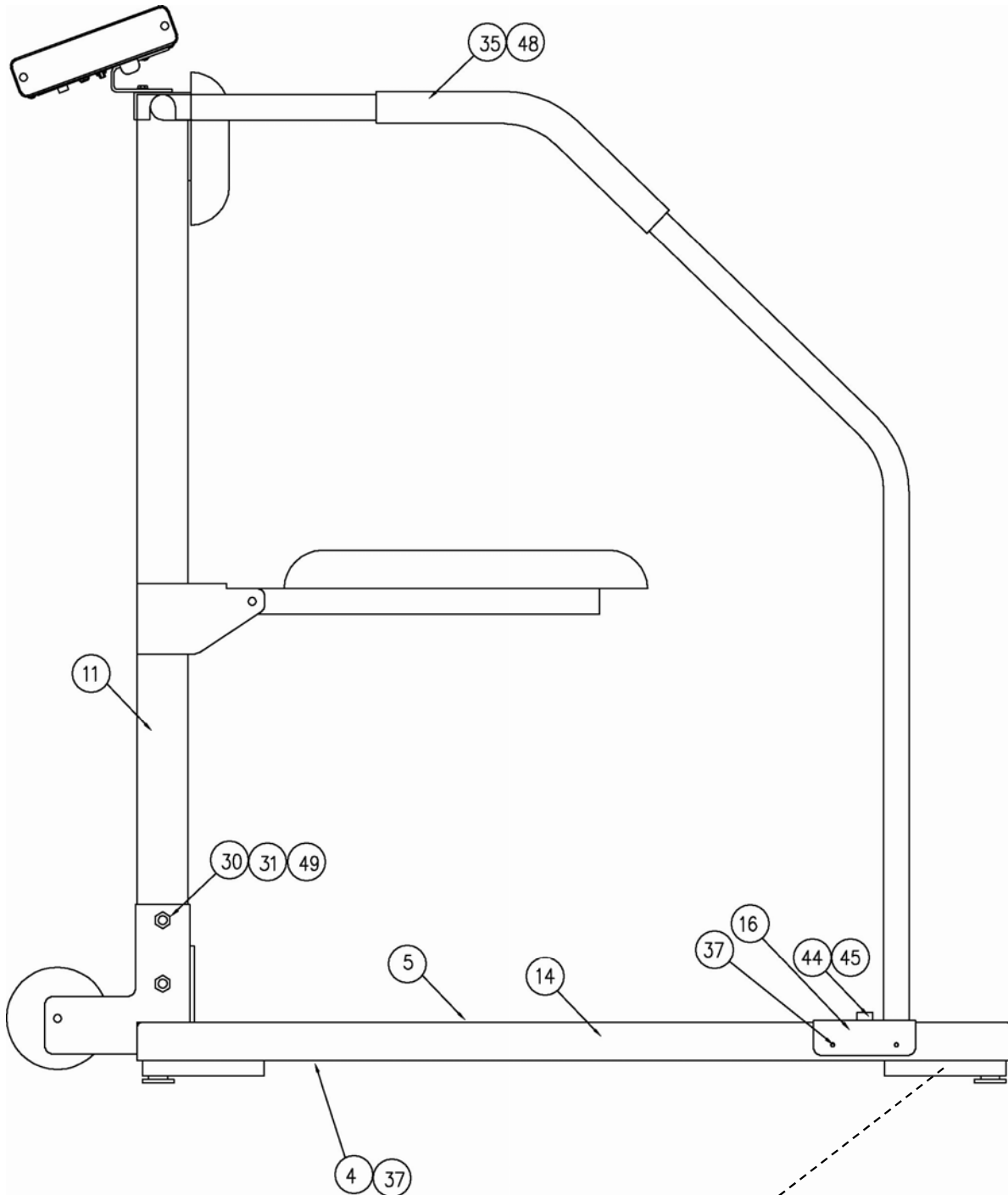
Model 6868 (750 Indicator)

Display	Meaning
-Err-	General error, invalid keypad entry was attempted.
-OF-	Attempting to display a negative number greater than -9,999 or a positive number greater than 99,999.
-tRL-	Indicates an attempt to zero a weight outside scale zero range.
-UnS-	Motion is present when indicator is attempting to perform one of the following operations: Power Up Zero or Zero Weight Display.
CAL ib	Indicates calibration is necessary.
AdErr	} Consult your scale service representative.
ErrAL	
ErrAH	
OCAP	Scale weight exceeds scale capacity.
OFF	Displayed to indicate indicator is turning off.

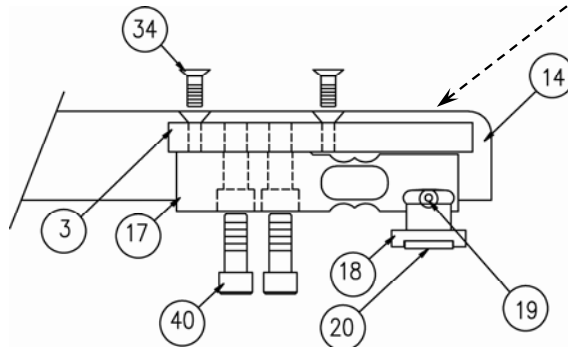
Model 6868KGEU (758CSV Indicator)

Display	Meaning
-Err-	General error, invalid keypad entry was attempted.
-OF-	Attempting to display a negative number greater than -9,999 or a positive number greater than 99,999
-tRL-	Indicates an attempt to zero a weight outside scale zero range. (See Four Percent Zero Tracking Range Limit).
-UnS-	Motion is present when indicator is attempting to perform one of the following operations: Power Up Zero or Zero Weight Display
CAL ib	Indicates calibration is necessary.
AdErr	} Consult your scale service representative.
ErrA	
ErrAL	
ErrAH	
EE Err	
OCAP	Scale weight exceeds scale capacity

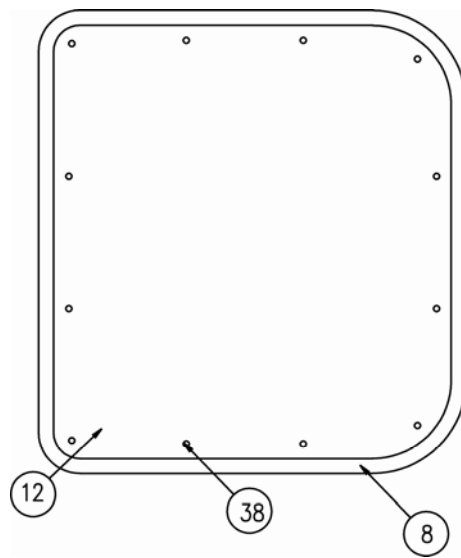
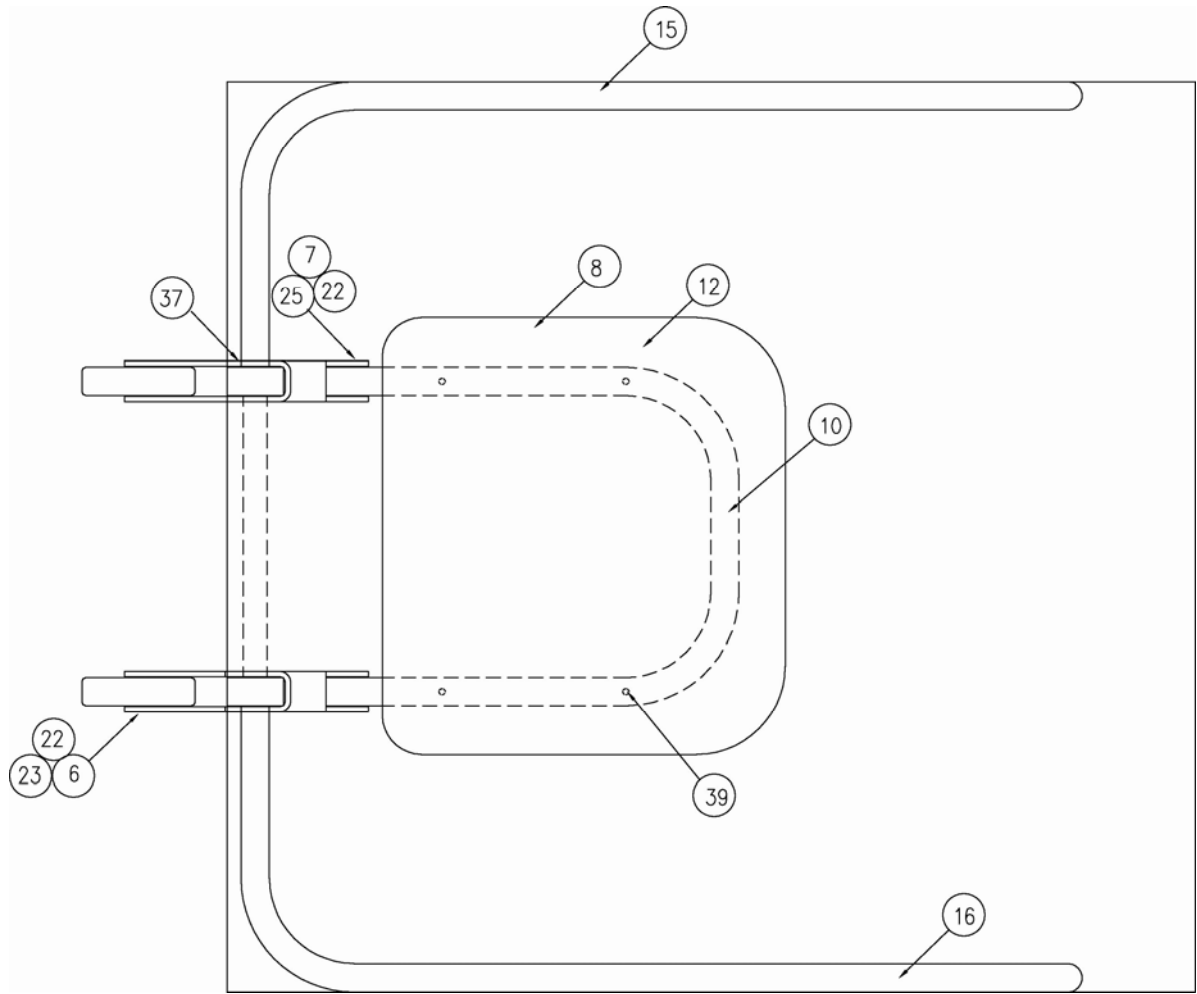
PART IDENTIFICATION



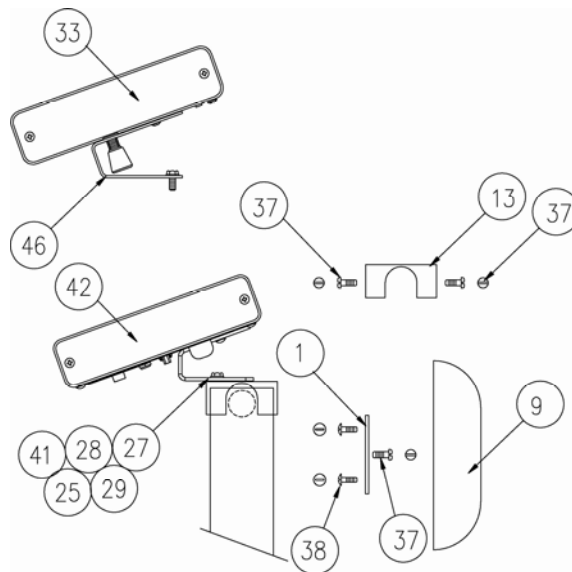
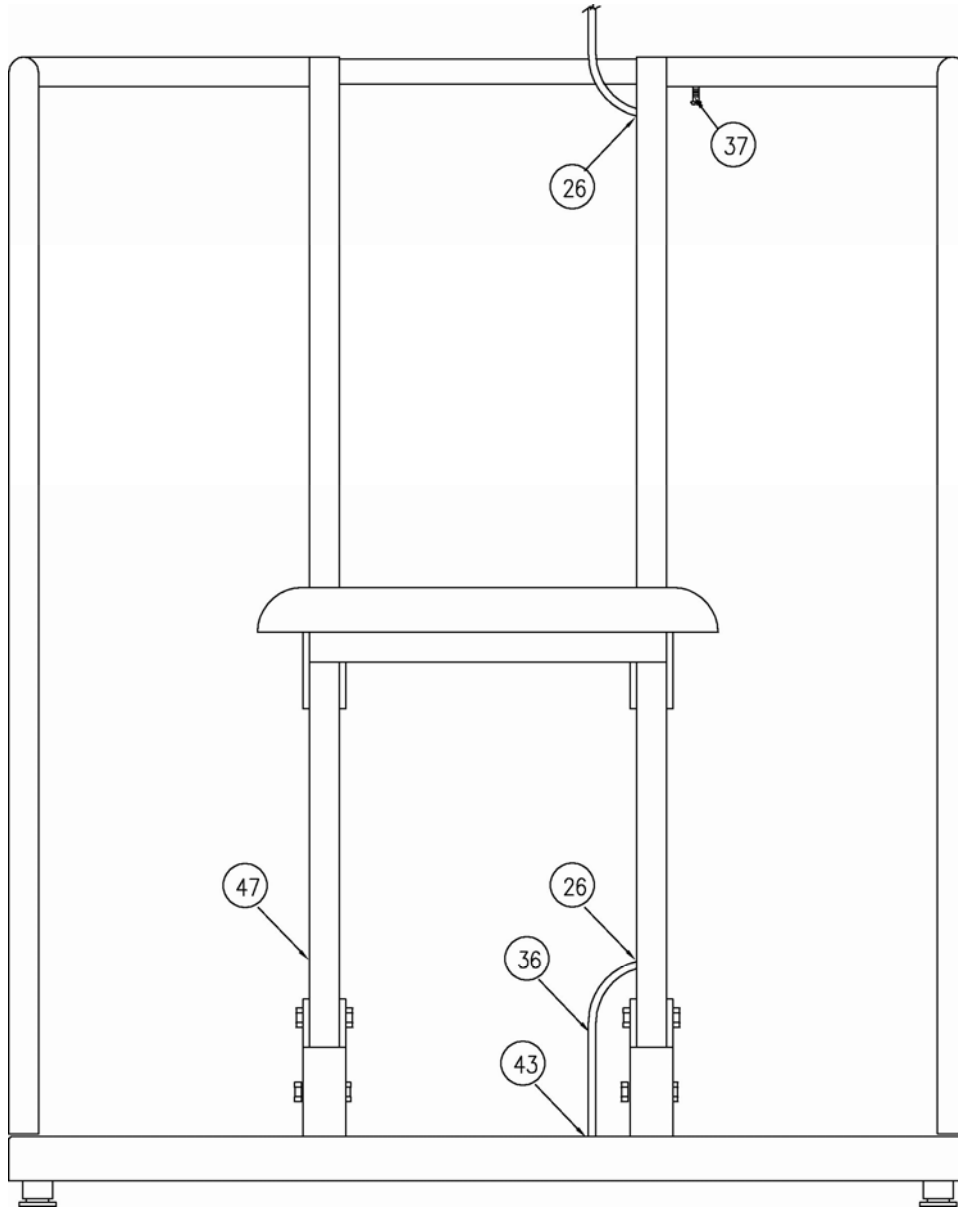
Load Cell and Foot Mounting Detail



PART IDENTIFICATION, CONT.



PART IDENTIFICATION, CONT.



PART IDENTIFICATION, CONT.

ITEM #	QTY	PART NUMBER	DESCRIPTION
1	1	0065-B416-0A	CHAIR BACK SILKSCREENED
2	-	---	---
3	4	0065-B430-08	LOAD CELL MOUNT 6868
4	1	0065-B431-0A	J-BOX COVER ASSY
5	1	0065-B435-08	MAT, RUBBER
6	2	0065-B436-08	AXLE
7	2	0065-B454-08	SHAFT, SEAT
8	1	0065-C414-08	SEAT, PADDED
9	1	0065-C415-08	BACK, PADDED
10	1	0065-C419-08	SEAT, SUPPORT
11	1	0065-C424-0A	SEAT SUPP. FRAME
12	1	0065-C428-0A	SEAT BOTT. COVER SILKSCREENED
13	1	0065-C429-08	IND. MTG. BRACKET
14	1	0065-D418-0A	BASE WELDMENT
15	1	0065-D420-0A	HANDRAIL R/H
16	1	0065-D422-0A	HANDRAIL L/H
17	4	LFB-250M	LOAD CELL
18	4	0065-B108-08	ALUM. FOOT
19	8	6021-0106	SCW PAN HEAD 6-32x3/8 S.S. TYPE F PHIL DR
20	4	6540-1122	RUBBER FOOT
21	4	1930-B205-08	SHIM
22	8	399R1048	PUSH NUT
23	2	6540-1205	WHEEL
24	1	593GR986	SERIAL TAG
25	5	0033-B110-08	DISK UHMW

PART IDENTIFICATION, CONT.

ITEM #	QTY	PART NUMBER	DESCRIPTION
26	2	6980-1035	BUSHING 1/4" I.D.
27	1	6021-1454	SCW HEX HEAD 1/4-20 x 3/4"
28	1	6024-0003	WASHER 1/4"
29	1	391RV204	NUT ELASTIC STOP 1/4-20
30	4	6007-0051	SCW HEX HEAD 3/8-16 x 2"
31	4	6013-0070	NUT ELASTIC STOP 3/8-16
32	4	6610-5007	CLIP
33	REF	750	INDICATOR FOR 6868
34	8	6021-1706	SCW FLAT HEAD 1/4-20 x 5/8"
35	2	6540-1070	RUBBER GRIP
36	1	1930-B428-0A	INDICATOR CABLE
37	14	6021-0982	SCW PAN HEAD #10-32 x 3/8" TYPE F
38	22	6021-1509	SCW PAN HEAD #8 x .75 PHIL DRV. Z/P
39	4	6021-1105	SCW PAN HEAD #12 x 1.75
40	8	6021-2063	SCW SOC HEAD 3/8-24 x 1"
41	1	0033-B164-08	758CSV INDICATOR MOUNTING
42	REF	758CSV	INDICATOR FOR 6868KGEU
43	1	6680-0164	GROMMET .43 THK x .25 I.D. FOR 1/4" PANEL
44	1	6690-0001	LEVEL BUBBLE
45	A/R	6560-1072	LOCTITE ADHESIVE
46	1	0033-B438-0A	750 INDICATOR MOUNTING
47	2	6540-0021	HOLE PLUG
48	A/R	6560-0009	ADHESIVE
49	8	6024-0009	WASHER FLAT 3/8"
*		6800-1045	OPTIONAL AC ADAPTER: 100-240VAC/12VDC @ 1A

* NOT SHOWN

STATEMENT OF LIMITED WARRANTY

Detecto Scale warrants its equipment to be free from defects in material and workmanship as follows: Detecto warrants to the original purchaser only that it will repair or replace any part of equipment which is defective in material or workmanship for a period of one **(1) year** from date of shipment. Detecto shall be the sole judge of what constitutes a defect.

During the **first ninety (90) days** Detecto may choose to supply all necessary replacement parts and service during normal weekday working hours at no charge to the buyer.

After the first ninety (90) days Detecto will supply parts and service at the job site provided the owner agrees to pay the Dealer for all travel time, including mileage and test equipment, as well as any expenses incurred over the direct labor of the technician at the job site. This limited warranty honors only labor performed by Detecto authorized dealers.

This warranty does not apply to peripheral equipment not manufactured by Detecto; this equipment will be covered by certain manufacturer's warranty only.

This warranty does not include replacement of expendable or consumable parts. This does not apply to any item which has deteriorated or damaged due to wear, accident, misuse, abuse, improper line voltage, overloading, theft, lightning, fire, water or acts of God, or due to extended storage or exposure while in purchaser's possession. This warranty does not apply to maintenance service. Purchased parts will have a ninety (90) day repair or replacement warranty only.

Detecto may require components be returned to the factory; they must be properly packed and shipping charges prepaid. A return authorization number must be obtained for all returns and marked on the outside of all returned packages. Detecto accepts no responsibility for loss or damage in transit.

STATEMENT OF LIMITED WARRANTY

Conditions Which Void Limited Warranty

This warranty shall not apply to equipment which:

- A.) Has been tampered with, defaced, mishandled or have had repairs and modifications not authorized by Detecto.
- B.) Has had serial number altered, defaced, or removed.
- C.) Has not been grounded according to Detecto's recommended procedure.

Freight Carrier Damage

Claims for equipment damaged in transit must be referred to the freight carrier in accordance with freight carrier regulations.

This warranty sets forth the extent of our liability for breach of any warranty or deficiency in connection with the sale or use of the product. Detecto will not be liable for consequential damages of any nature, including but not limited to, loss of profit, delays or expenses, whether based on tort or contract. Detecto reserves the right to incorporate improvements in material and design without notice and is not obligated to incorporate improvements in equipment previously manufactured.

The foregoing is in lieu of all other warranties, express or implied including any warranty that extends beyond the description of the product including any warranty of merchantability or fitness for a particular purpose. This warranty covers only those Detecto products installed in the forty-eight (48) contiguous continental United States.

