

Deluxe Overbed Table



Assembly, Installation and Operating Instructions

Model Nos. 6417, 6418

Yes, you can.

DEALER: These instructions MUST be given to the user of this product.

SAVE THESE INSTRUCTIONS

NOTE: Check ALL parts for shipping damage. If shipping damage is noted, DO NOT use. Contact Carrier/Dealer for further instruction.

Safety Summary

To ensure the safe and proper installation of the deluxe overbed table, these instructions MUST be followed:

⚠ WARNING

DO NOT use this product or any available optional equipment without first completely reading and understanding these instructions and any additional instructional material such as owner's manuals, service manuals or instruction sheets supplied with this product or optional equipment. If you are unable to understand the warnings, cautions or instructions, contact a healthcare professional, dealer or technical personnel before attempting to use this equipment - otherwise, injury or damage may occur.

ALWAYS check the overbed table for proper tightness before using.

The deluxe overbed table has a weight limitation of 25 lbs.

⚠ ACCESSORIES WARNING

Invacare products are specifically designed and manufactured for use in conjunction with Invacare accessories. Accessories designed by other manufacturers have not been tested by Invacare and are not recommended for use with Invacare products.

⚠ INSTALLATION WARNING

After any adjustments, repair or service and before use, make sure that all attaching component parts are secure.

Assembling/Disassembling

Model 6417

NOTE: For this procedure, refer to FIGURE 1 on page 2.

1. Place table top on floor with mounting holes facing up.
2. Secure the mast to the table top with six mounting screws. Tighten securely.
3. Secure the base to the mast with the two bolts, washers, and inserts. Tighten securely.
4. Install the four casters into the four holes provided in the base.
5. Place the overbed table to the upright position.
6. To disassemble, reverse STEPS 1-5.

Model 6418

NOTE: For this procedure, refer to FIGURE 1 on page 2.

1. Place the tilt table top on the floor with supporting bracket facing up.
2. Secure the mast to the supporting bracket with the bolt, washer, and nut. Tighten securely.
3. Secure the base to the mast with the two bolts, washers, and inserts. Tighten securely.
4. Install the four casters into the four holes provided in the base.
5. Place the overbed table to the upright position.
6. To disassemble, reverse STEPS 1-5.

For more information regarding Invacare products, parts, and services, please visit www.invacare.com

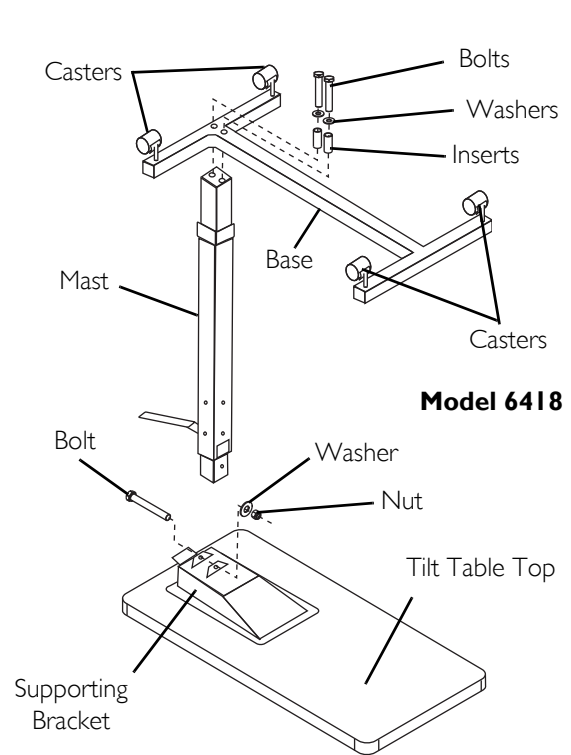
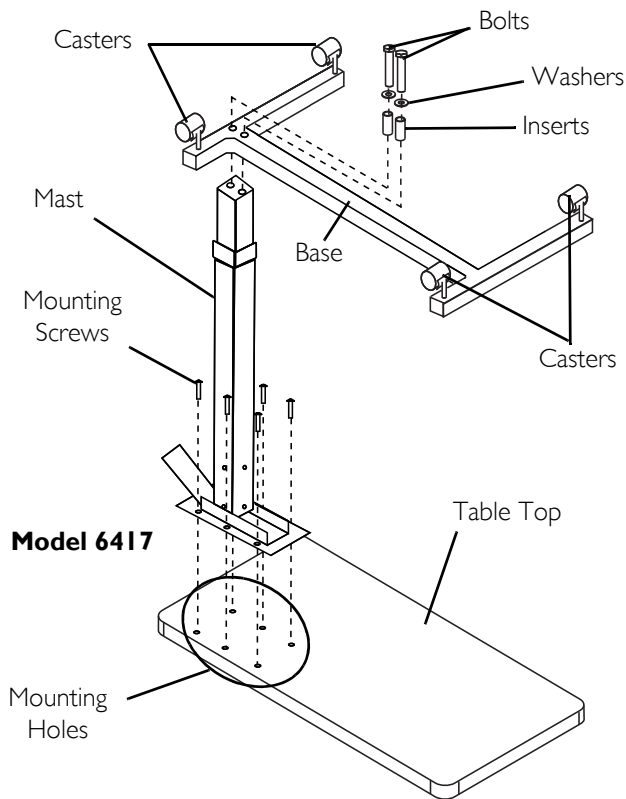


FIGURE I Assembling/Disassembling

Operating the Overbed Table

NOTE: For this procedure, refer to FIGURE 2 on page 3.

Adjusting Table Height

⚠ WARNING

ALWAYS check to ensure latching mechanism/height adjustment lever, located underneath the table top, is properly engaged prior to use.

NOTE: A transport screw is used to secure the table top to the mast in the lowest position during transportation. The transport screw is located on the mast just below the table top.

1. Remove the transport screw and save for future use. Refer to Transporting on page 3.
2. Squeeze the latching mechanism/height adjustment lever up toward the table top.
3. Adjust the table top to the desired height.

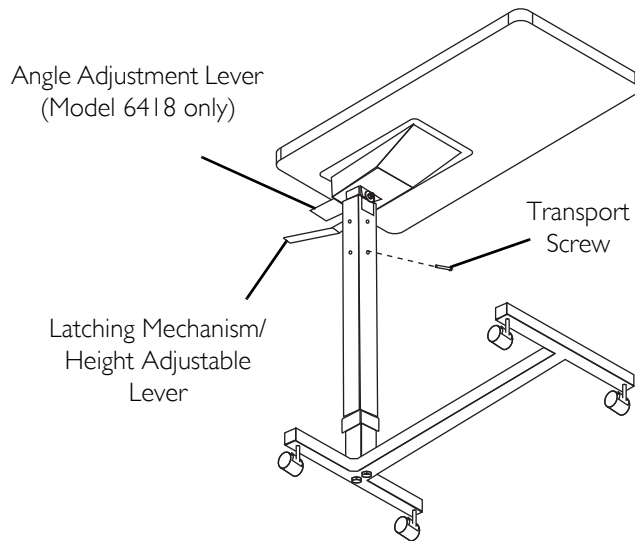
NOTE: When performing STEP 4, be careful not to press too hard otherwise the table top will run through multiple latching points before locking in place.

4. Lightly press down on the table top until table top is locked in place. An “audible” click will be heard when latching mechanism secures table top in place.

Adjusting Table Angle

NOTE: Adjusting table angle is available on Model 6418 only.

1. Squeeze the angle adjustment lever up toward the table top.
2. Tilt the table top to the desired angle.
3. Release angle adjustable lever to lock in place.



NOTE: Only Model 6418 is shown.

FIGURE 2 Adjusting Table Height - Adjusting Table Angle

Transporting

CAUTION

Before taking the overbed table apart, adjust the table top to the lowest position and replace the transport screw so the mast is locked in place before being packed and shipped otherwise damage may result.

1. Adjust table to lowest height position. Refer to [Adjusting Table Height](#) on page 2.
2. Install the transport screw to lock mast in place (FIGURE 2).
3. Remove the table top from the mast. Refer to [Assembling/Disassembling](#) on page 1.

LIMITED WARRANTY

PLEASE NOTE: THE WARRANTY BELOW HAS BEEN DRAFTED TO COMPLY WITH FEDERAL LAW APPLICABLE TO PRODUCTS MANUFACTURED AFTER JULY 4, 1975.

This warranty is extended only to the original purchaser/user of our products.

This warranty gives you specific legal rights and you may also have other legal rights which vary from state to state.

Invacare warrants its product to be free from defects in materials and workmanship for one year for the original purchaser. If within such warranty period any such product shall be proven to be defective, such product shall be repaired or replaced, at Invacare's option with refurbished or new parts. This warranty does not include any labor or shipping charges incurred in replacement part installation or repair of any such product. Product repairs shall not extend this warranty - coverage for repaired product shall end when this limited warranty terminates. Invacare's sole obligation and your exclusive remedy under this warranty shall be limited to such repair and/or replacement.

For warranty service, please contact the dealer from whom you purchased your Invacare product. In the event you do not receive satisfactory warranty service, please write directly to Invacare at the address on the back page. Provide dealer's name, address, model number, date of purchase, indicate nature of the defect and, if the product is serialized, indicate the serial number.

Invacare Corporation will issue a return authorization. The defective unit or parts must be returned for warranty inspection using the serial number, when applicable, as identification within thirty days of return authorization date. **DO NOT** return products to our factory without our prior consent. C.O.D. shipments will be refused; please prepay shipping charges.

LIMITATIONS AND EXCLUSIONS: THE WARRANTY SHALL NOT APPLY TO PROBLEMS ARISING FROM NORMAL WEAR OR FAILURE TO ADHERE TO THE ENCLOSED INSTRUCTIONS. IN ADDITION, THE FOREGOING WARRANTY SHALL NOT APPLY TO SERIAL NUMBERED PRODUCTS IF THE SERIAL NUMBER HAS BEEN REMOVED OR DEFACED; PRODUCTS SUBJECTED TO NEGLIGENCE, ACCIDENT, IMPROPER OPERATION, MAINTENANCE OR STORAGE; OR PRODUCTS MODIFIED WITHOUT INVACARE'S EXPRESS WRITTEN CONSENT INCLUDING, BUT NOT LIMITED TO: MODIFICATION THROUGH THE USE OF UNAUTHORIZED PARTS OR ATTACHMENTS: PRODUCTS DAMAGED BY REASON OF REPAIRS MADE TO ANY COMPONENT WITHOUT THE SPECIFIC CONSENT OF INVACARE; PRODUCTS DAMAGED BY CIRCUMSTANCES BEYOND INVACARE'S CONTROL; PRODUCTS REPAIRED BY ANYONE OTHER THAN AN INVACARE DEALER, SUCH EVALUATION SHALL BE SOLELY DETERMINED BY INVACARE.

THE FOREGOING WARRANTY IS EXCLUSIVE AND IN LIEU OF ANY OTHER EXPRESS WARRANTIES, IF ANY, INCLUDING THE IMPLIED WARRANTIES OF MERCHANTABILITY AND FITNESS FOR A PARTICULAR PURPOSE.

IT SHALL NOT EXTEND BEYOND THE DURATION OF THE EXPRESSED WARRANTY PROVIDED HEREIN AND THE REMEDY FOR VIOLATIONS OF ANY IMPLIED WARRANTY SHALL BE LIMITED TO REPAIR OR REPLACEMENT OF THE DEFECTIVE PRODUCT PURSUANT TO THE TERMS CONTAINED HEREIN. INVACARE SHALL NOT BE LIABLE FOR ANY CONSEQUENTIAL OR INCIDENTAL DAMAGES WHATSOEVER.

THIS WARRANTY SHALL BE EXTENDED TO COMPLY WITH STATE/PROVINCIAL LAWS AND REQUIREMENTS.



Yes, you can.®

Invacare Corporation

www.invacare.com

USA

One Invacare Way
Elyria, Ohio USA
44036-2125

For Customer Service, call
800-333-6900

Canada

570 Matheson Blvd E Unit 8
Mississauga Ontario
L4Z 4G4 Canada
800-668-5324

All rights reserved. Trademarks are identified by the symbols [™] and [®]. All trademarks are owned by or licensed to Invacare Corporation or its subsidiaries unless otherwise noted.

© 2009 Invacare Corporation

Part No 1143201

Rev C - 8/09

