



www.healthcraftproducts.com

# ModRail for Home Styled Box Spring & Mattress Beds

**BED MOBILITY SYSTEM**

# INSTALLATION INSTRUCTIONS

ModRail Standard™, ModBar™ & ModPole™

## CAUTION - RISK OF INJURY or DEATH!

Prior to installing the ModRail System, we strongly recommend that you first read through the instructions. It is your responsibility to see that your ModRail System is properly assembled, installed, operated, and cared for. Failure to follow these instructions could result in injury or death. Modular rail assembly options (ModRail System, ModBar, ModPole, & ModRail Add-On-Kits & Accessories) are designed to fit ONLY on HealthCraft's ModRail System. NOTE: The support bracket is bolted securely to the stationary section on the metal frame of the bed. The modular options are secured into the bed receptacle system with a threaded knob. Inspect the ModRail™ System regularly, including bolts, set screws, knurled knobs, and add-ons. Maximum suggested user weight is 325 lbs / 147kg. Lock / remove casters on mobile beds prior to using rail.

**BED TIPOVER HAZARD** - if the ModRail is fixed to a relatively light and or / narrow bed, there is a potential for the bed to tip over if considerable downward force is exerted on the ModBar when it is in one of its outward angle positions. Therefore, the opposite side of the bed should be secured to prevent it from lifting up from the floor. This may be accomplished with counterweights secured under the opposite side of the bed (sandbags, cement block, etc.) or a strap between the floor and the bed frame.

**WARRANTY** - All HealthCraft™ Products are covered by a one year limited warranty with the exception of hand grips which are subject to normal wear. Buyer hereby indemnifies, agrees to hold harmless and defend HealthCraft™ Products Inc. from and against any and all liabilities, claims, (founded and unfounded), losses, damages, costs and expenses (including without limitation consequential damages and reasonable professional fees) resulting from buyers specification, application, or improper use of goods described hereon; buyers omission or neglect. HealthCraft™ Products Inc. does not assume any liability for damage resulting from services performed by others or faulty installation, misuse or misapplication of goods sold by HealthCraft™ Products Inc. HealthCraft™ Products Inc. shall not be liable for prospective profits or special, indirect, or consequential damages, or for the cost of any corrective work done without HealthCraft™ Products Inc. prior approval. HealthCraft™ Products Inc. total liability hereunder shall in no event exceed the purchase price of the goods specified hereon.

### IMPORTANT SAFETY CONSIDERATIONS For further information, visit [www.patientsafetycenter.com](http://www.patientsafetycenter.com)

Please consider the following to ensure safety when using this assistive device:

⚠ The ModRail™ was designed to assist patients who require a more moderate support and / or assistance with transfers to / from hospital or home styled beds. The ModRail™ is not intended for use as a physical restraint, or barrier to exiting the bed.

⚠ Due to the potential risks associated with patient limb / neck (may lead to suffocation) entrapment, the ModRail™ System is not recommended for patients with the following conditions: Problems with memory, incontinence, those who may attempt to wander (night walkers), altered mental status, pre-existing conditions such as confusion, restlessness, agitation and dementia.

⚠ There is always a potential risk of entrapment when using any bed rail. This risk can be reduced or avoided by carefully monitoring the following:

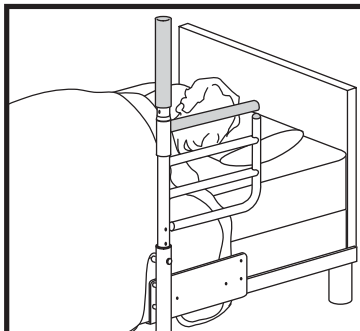
- Movement and/or compression of mattress caused by patients' weight, patient movement, mattress thickness/density, or bed position (i.e. when the bed profile is adjusted, entrapment hazards can be created which are not present when the bed is in an all-horizontal position.)

- Although the spacing of the horizontal rails on the gate meet specific standards, a full risk assessment should be carried out when the device is to be used with smaller adults and children.

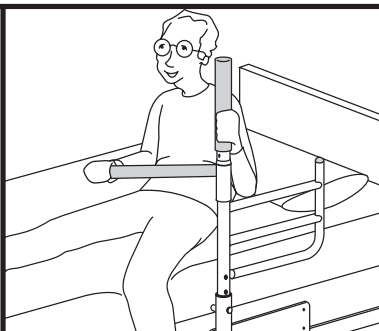
- During sleep or rest periods (when the ModRail™ is not in use) the ModBar™ should be placed in the neutral position (ModBar™ on top of gate).

- ModRail™ should not be used to hinder patient from performing routine activities (i.e. exiting bed to use bathroom)

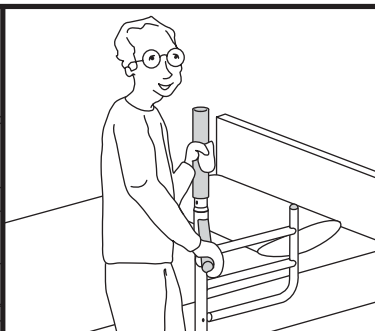
### INTENDED USE OF MODRAIL™



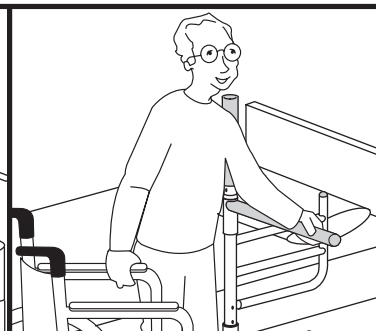
**REPOSITIONING**  
for queuing (defines bed edge) within the bed.



**IN-BED MOBILITY**  
pivoting & locking bar helps with bed mobility.



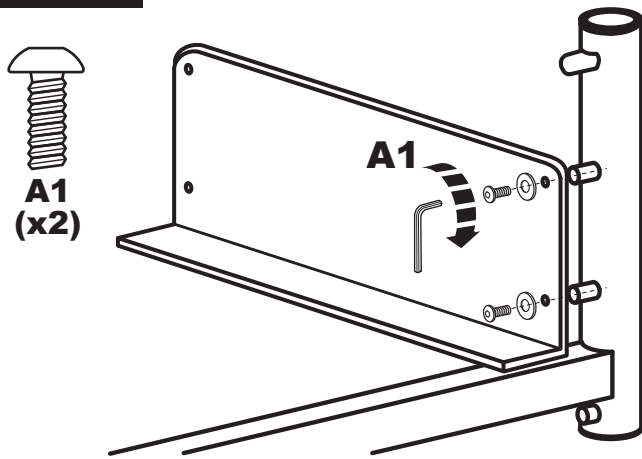
**TRANSFERRING**  
a weight bearing surface during transfers.



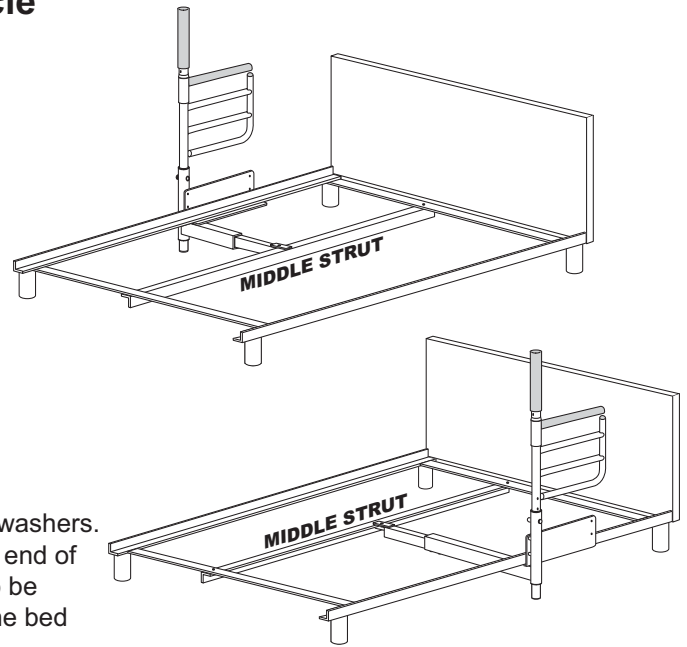
**INDEPENDENCE**  
provide with a feeling of comfort and security.

# A1

## Secure Face Plate to Rail Receptacle

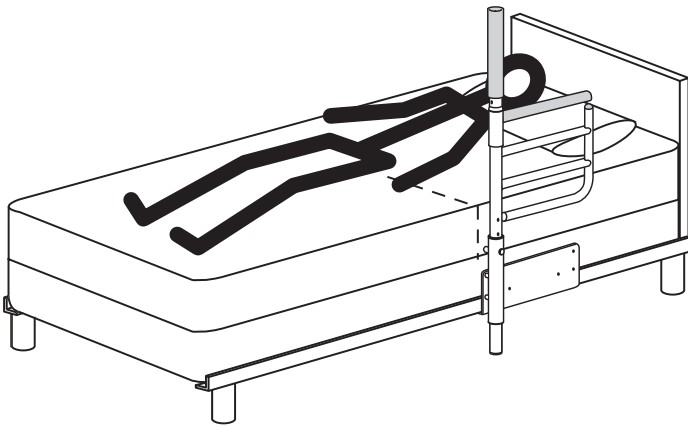


Tighten bolts to secure the face plate to the rail receptacle (A1), use washers. To fit opposite side of bed, screw the rail receptacle into the opposite end of face plate. The middle strut on the metal bed frame may have to also be removed, repositioned and re-installed depending on which side of the bed the ModRail™ is to be installed on.



# A2

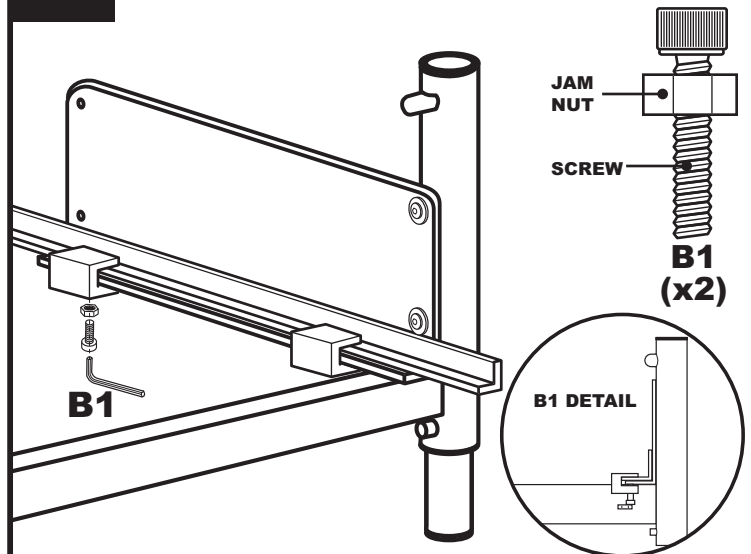
## Typical Installation



Remove bed mattress, box spring, pillows, etc. to expose the metal bed frame. Locate tube furthest from head of bed, adjacent to hip as shown. (**Note:** Illustration shows person and mattress on bed for set up purposes.)

# B

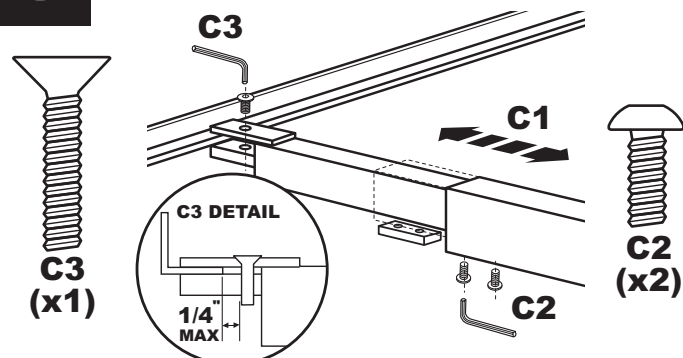
## Secure Face Plate to Bed Frame



Tighten bolts thru "c" clamp straps to secure the face plate to the metal bed frame. Tighten jam nut to secure in place (B1).

# C

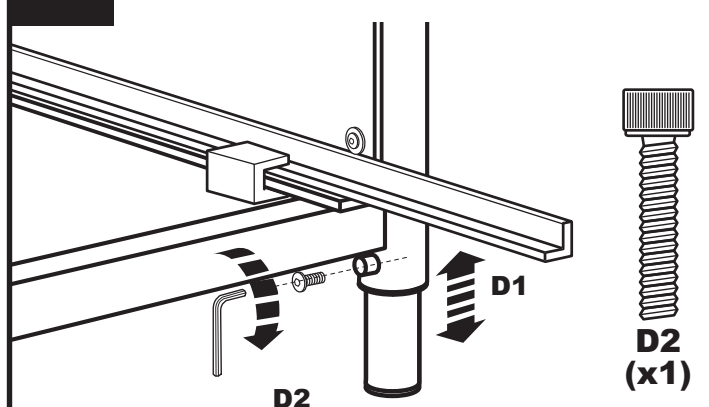
## Secure Bed Cross Beam to Bed



Adjust the length of the bed cross beam to span across the bed frame (C1). Slide the threaded clamp into the tube and tighten bolts under the bed cross beam to fix length (C2). Tighten bolt on floating clamp system to secure bed cross beam to the metal bed frame (C3).

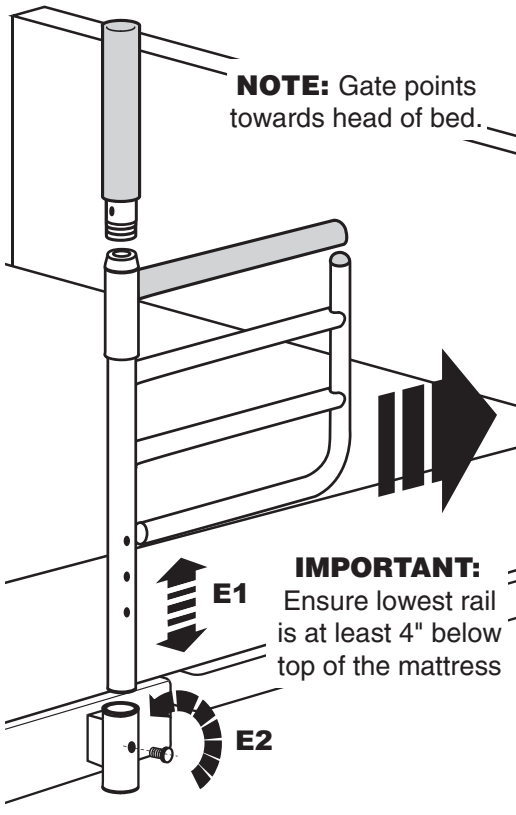
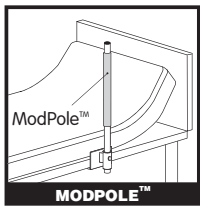
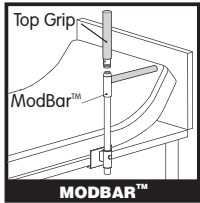
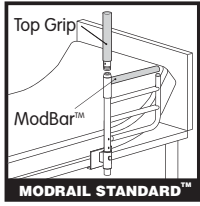
# D

## Secure Rail Foot



Set the rail foot to touch the ground (D1), and tighten the screw to secure (D2).

## E1 Rail Assembly Installation

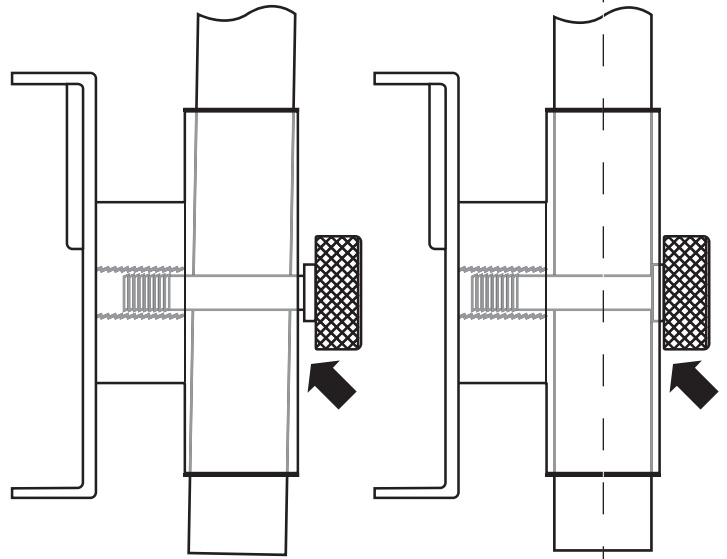


**NOTE:** Gate points towards head of bed.

**IMPORTANT:** Ensure lowest rail is at least 4" below top of the mattress

Ensure that the support bracket has been properly and securely mounted onto the bed. Set the rail assembly height (E1) and tighten knurled knob (E2).

## E2 Secure Knurled Knob



**INCORRECT!**

Knurled knob is not fully screwed in. Rail Assembly may feel shaky or wobbly.



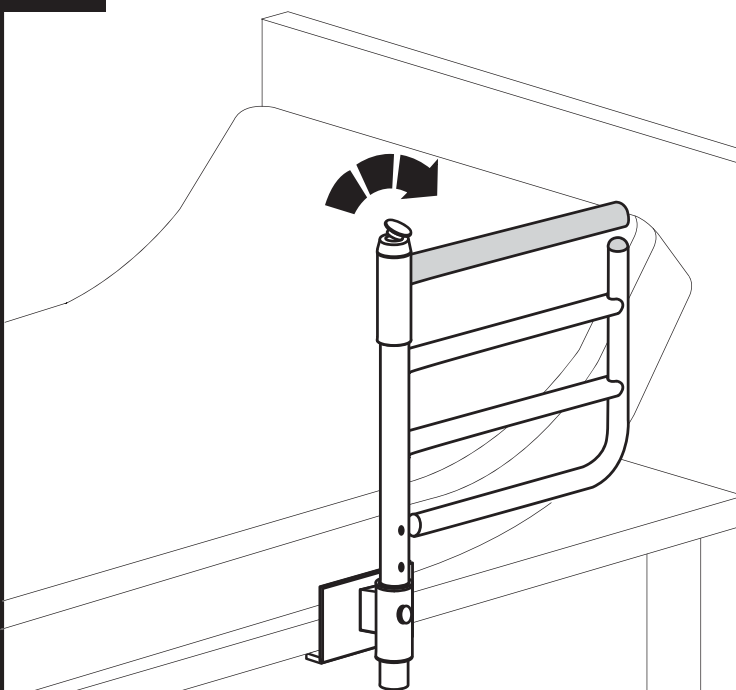
**CORRECT!**

Knurled knob is fully screwed in. Rail Assembly should feel sturdy.

Ensure that the knurled knob is securely tightened once the rail assembly is installed. Make sure the shoulder on the bolt is flush against the support bracket.

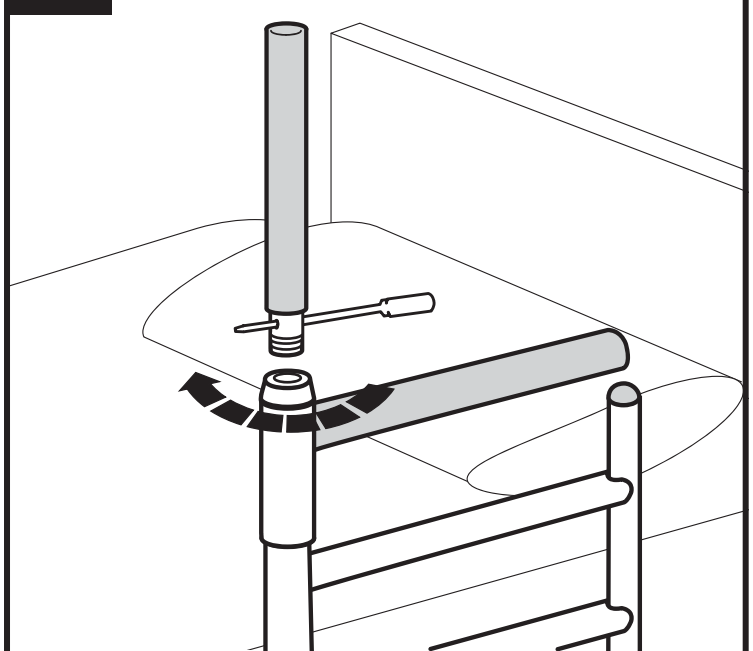
## Top Grip for ModBar™ (Optional)

### F Remove Dust Cover



Pry snap-on dust cover from the top of the ModBar™.

### G Insert Top Grip



Using a screwdriver thru the hole at the bottom of the top grip, thread the top grip into the ModBar™. Store the dust cover in a convenient place.