

Rifton Activity Chair

R840 & R850 Product Manual



R840 Rifton Activity Chair
Standard Base



R850 Rifton Activity Chair
Hi/Lo Base



Contents

Check your order	4
Warnings and important information	5
Recommended use	6
User and item dimensions	6
Basic chair components	7
Backrest	7
Pads	7
Seatbelt	8
Arm supports	9
Seat depth	11
Tilt-in-space	11
Spring option	12
Seat quick-connect	13
Standard base (R840)	15
Adjustable legs	15
Seat height	15
Footboard	15
Hi/Lo base (R850)	16
Seat height	16
Caster brakes	16
Swivel lock	16
Footboard	17
Accessories	18
Headrests	18
Lateral supports	18
Chest strap	19

Contents continued. . .

Butterfly harness	20
Thigh belt	21
Pelvic harness	22
Hip guides	23
Abductor	24
Adductors	24
Leg prompts	25
Ankle straps	26
Sandals and Wedges	27
Lumbar and seat support kit	28
Backrest filler pad	28
Push handles	29
Tray	30
Handholds	30
Maintenance	31
Cleaning	31
Materials	31
User modifications	31

Key for EU users

Use this key to determine which sections of this Product Manual apply to you.



Technical users For professionals who order and set up Rifton products.



Home users For care-givers who use Rifton products on a regular basis.



Maintenance personnel For anyone who is responsible for service or re-ordering of Rifton products and parts.

Check your order

Your Rifton chair has been shipped according to your specifications. It will require some tool-free assembly. Follow these instructions to insure that your chair is put together and used correctly. This product manual is comprehensive and may discuss features not included in your chair.

WARNINGS

- Thoroughly read and understand the information in this guide before attempting to use this product. If the procedures and instructions in this guide are not followed, serious injury could occur.
- A qualified professional must assess the appropriateness and safety of all equipment for each user.
- Correct use of this product requires the prior approval and ongoing guidance of a qualified therapist or physician.
- This product is intended for use by children of immature judgment. Adult supervision is required at all times.
- Do not use this product on rough and uneven terrain, around swimming pools, or near stairways.
- All mobility equipment may become unstable when used improperly.
- Straps and supports are provided for the safety of the user and must be carefully adjusted for comfort and security. The use of straps and supports must be supervised at all times.
- Restraints – Using straps, trays or supports to restrict a child’s movement is considered behavioral restraint, which may raise ethical and legal issues for your facility. Rifton Equipment is not intended for this use.
- Butterfly harness, chest straps, and tray are not intended to hold user in chair. ALWAYS use seatbelt or pelvic harness when tray is in use.
- On chairs with the spring option, keep hands above the seat when the spring is in use to avoid pinch points.
- Keep children away from under the seat of the chair; there are parts that move when the seat height or seat angle are adjusted.


IMPORTANT

- Please save this Product manual. Additional copies are available at www.rifton.com
- Please refer to the Rifton product catalog for our full warranty, or visit www.rifton.com

Recommended use

The Rifton Activity Chair is intended to provide comfortable seating with adjustable support for children and adolescents with disabilities in the classroom or at home. The chair allows for growth, multiple users, and is available with various accessories that are easily removable as the client gains independence.

User and item dimensions

User Dimensions – inches (cm)		
Height	40–56 (102–142)	40–56 (102–142)
 <p>Key user dimension: height The user's overall height is a general guide to help you select the appropriate chair. Choose the model that allows for growth.</p> <p>Important: Make sure that seat width, depth, and height are adequate for each individual user, and that the user's weight does not exceed the maximum weight recommended.</p>		
	Item dimensions – inches (cm)	R840 medium Standard base
Frame width	short legs: 23¼ (59)	27½ (70)
	long legs: 24½ (62)	
	short legs w/ wheels: 24½ (62)	
	long legs w/ wheels: 25½ (65)	
Seat height above floor	short legs: 12½–16½ (32–42)	12–23 (30–58)
	long legs: 19–23 (48–58)	
	short legs w/ wheels: 16–20 (41–51)	
	long legs w/ wheels: 19–23 (48–58)	
Seat angle (tilt-in-space) - degrees	15° forward, 15° back* <small>*Spring option uses 10° of the backward adjustment for motion.</small>	15° forward, 25° back
Backrest angle - degrees	5° forward, 20° back* <small>*Spring option uses 10° of the backward adjustment for motion.</small>	5° forward, 20° back* <small>*Spring option uses 10° of the backward adjustment for motion.</small>
Seat height above footboard	12–16½ (30–41)	12–16½ (30–41)
Seat width (without pads)	8½–11½ (22–29) / 14 (36)	8½–11½ (22–29) / 14 (36)
Seat depth	11–16 (28–41)	11–16 (28–41)
Armrest height above seat	7–10½ (18–27)	7–10½ (18–27)
Trunk support width	6½–12 (17–30)	6½–12 (17–30)
Backrest height	15½–19 (39–48)	15½–19 (39–48)
Headrest height above seat	17½–24½ (44–62)	17½–24½ (44–62)
Max. working load – lbs. (kg)	150 (68)	150 (68)

Basic chair components

A *Quick Reference Guide* for your chair is located behind the backrest pad.

Note: Every white lever and button indicates a point of adjustment.

Backrest

Backrest angle and height adjust with easy one-hand levers.

To adjust backrest angle, squeeze white backrest angle lever and move backrest forward or backward to desired angle then release lever (see Figure 6a).

To adjust backrest height, depress backrest height lever to raise or lower backrest to desired position, then release lever. Make sure backrest clicks into position (see Figure 6a).

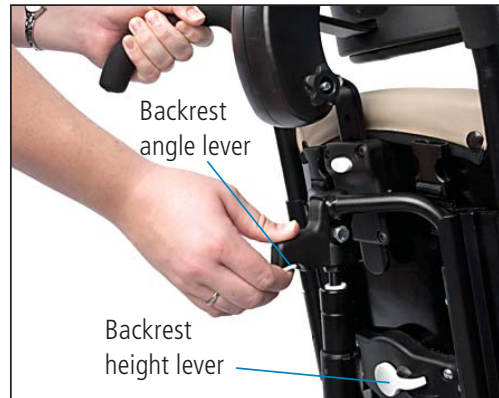


Figure 6a

Pads

Backrest and seat pads are snapped into position.

Backrest pad has a cloth tag marked Rifton (see Figure 6b), and is snapped onto studs (A) located behind top and bottom edge of backrest (see Figure 6c).

Seat pad has no tag, and is snapped onto studs (B) located under front and back edge of seat.

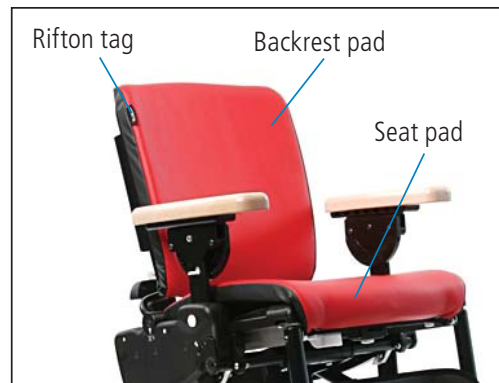


Figure 6b

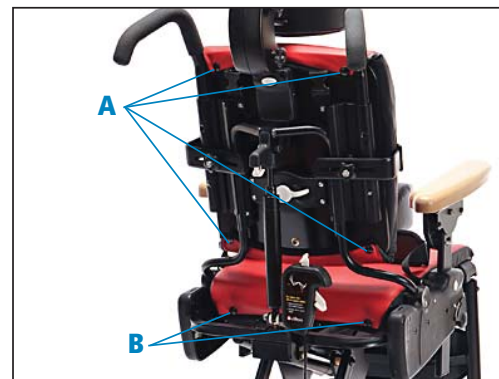


Figure 6c

Seatbelt

To attach seatbelt, use pen to depress small white button (C) just below one of the slots (B) at either side of seat. While keeping button depressed, insert L-shaped metal clip (A) at end of seatbelt strap into slot with back of L-shape towards front of seat. Press clip firmly into slot and release button, making sure clip locks into place and holds when pulled. Repeat on other side of seat.

To remove seatbelt, use pen to depress small white button (C) just below clip slot on side of seat, and pull belt upwards to disengage clip. Repeat on other side of seat (see Figure 7a).

Note: Seatbelt can be clipped into either set of small slots at sides of chair.

⚠ WARNING

ALWAYS use a seatbelt or pelvic harness. Absence of a seatbelt or pelvic harness may result in falls and may pose a strangulation hazard to user when a chest strap, butterfly harness or tray is in use.



Figure 7a

Arm supports

A pair of arm supports, either armrests or forearm prompts, were selected with purchase of chair.

Both types of arm supports come in left and right pairs and insert into large slots at either side of seat.

Both types of arm supports can be removed for side transfers.

To insert arm support and to adjust its height, depress white button (A) just below arm support slot at side of seat, insert arm support, move it up or down to required height, release button and make sure support clicks into place (see Figure 8a).

To remove arm support, depress white button just below arm support slot at side of seat and pull upwards on arm support.

Armrests can be set at a wide range of angles to backrest and seat.

Note: Cut outs on wooden armrests should be toward back of chair.

To set angle of wooden armrest, lift white tab (B) below outer edge of armrest (see Figure 8a) and rotate armrest to desired angle. Release tab and make sure armrest clicks into place.



Figure 8a (Armrests)

Arm supports continued. . .

Forearm prompts adjust fully to facilitate trunk and head control while sitting. Forearm prompt pads, clamps and posts are identical to arm prompts used on Rifton Pacer and Advancement Chair.

Forearm prompts are attached using a clamp and post system (see Figure 9b). The clamp attaches with a screw knob (F) to any position on the bar. The clamp can be mounted on the inside or outside of the bar (G) (see Figure 9a).

The post fits into the clamp and provides up/down and rotational adjustment.

Forearm prompt can be mounted to the post in several positions, and slid or rotated to achieve the best position for the user. Loosen the single knob (A) underneath to make adjustments (see Figure 9b).

Adjust the forearm prompts to the best position for user's comfort and function. Slide or rotate the handgrip (see Figure 9b), by loosening then tightening knob (C) on the side. Adjust straps (D) (see Figure 9a) and secure with hook and loop fasteners (E) (hooks away from the user's arm).



Figure 9a (Forearm prompts)

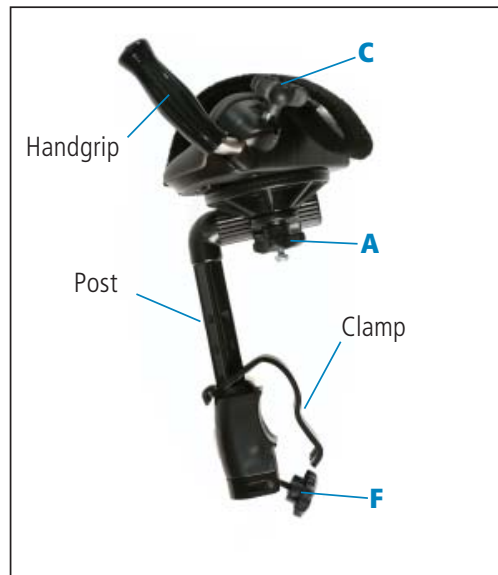


Figure 9b

Seat depth

To adjust seat depth, use two fingers to pull white handle located below seat (see Figure 10a). Move seat forward or backward to desired position and release handle. Make sure seat clicks into place.



Figure 10a

Tilt-in-space

Tilt-in-space moves entire seat and backrest from a rest position to active sitting and vice versa.

To adjust tilt-in-space angle, place one hand on push handle or top of backrest and with other hand simultaneously squeeze tilt lever and safety lock (see Figure 10b). Push forward or pull backward on push handle or backrest until desired angle is reached, then release levers to lock seat and backrest into desired position.

Use angle indicator (see Figure 10c) on side of chair for consistent positioning.



Figure 10b

WARNING

Keep hands and limbs away from moving parts when adjusting chair.



Figure 10c

Spring option

Spring option allows for user-initiated movement and allows chair to “bounce.”

The Standard base with spring option has spring in backrest and seat (see Figure 11c).

The Hi/Lo base with spring option has spring in backrest only.

To activate backrest spring option, turn white lock handle located on spring column behind backrest to “unlock” position (see Figure 11a and 11b).

To deactivate spring option, turn lock handle back to “lock” position.

Note: When locking the backrest spring option, it may be necessary to move backrest forward or back to enable lock handle to slip into position.

On Standard base chair, spring option for seat is locked and unlocked by turning white lock handle located on spring column beneath seat (see Figure 11a and 11b). To determine whether spring option is locked or unlocked, press down on seat. If it gives, spring option is unlocked, if it does not give, spring option is locked.

Note: Spring option enables about 10° range of movement. Thus, angle adjustment of backrest or seat will be more limited when spring option has been ordered with your chair (see Figure 11c).

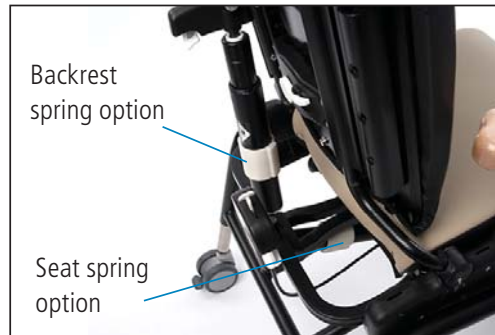


Figure 11a

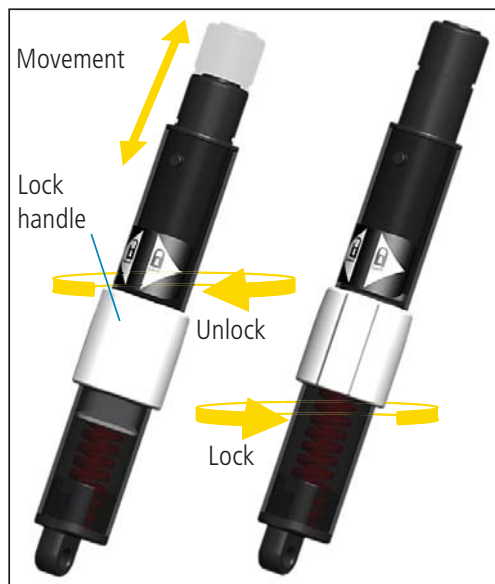


Figure 11b



Figure 11c

Seat quick-connect

Every Rifton Activity Chair seat and backrest unit can be detached from its base and re-attached to any other Rifton Activity Chair base. Thus, a Rifton Activity Chair Standard base (R840) can be converted to a Hi/Lo base (R850) and vice versa, simply by ordering the base required.

To detach seat and backrest unit from base, first disconnect footboard angle adjuster, if footboard is present (see Figure 12a). Also lock casters, if casters are present, and remove arm supports from chair.

Note: To disconnect footboard angle adjuster, reach beneath seat, depress white tube latch and pull footboard up and away from seat until tubing drops out of housing (see Figure 12a).

With footboard angle adjuster disconnected, casters locked and arm supports removed, find white levers (A) located directly beneath the chair seat (see Figure 12b). Place one hand under front edge of seat and lift upwards while with other hand pulling one of the two levers towards front of chair. Still lifting front edge of seat, pull other lever towards front of chair to completely disengage bottom of seat from crossbar (B) beneath it.

Once front of seat is disengaged, pull entire seat and backrest unit towards front of chair and away from base until seat hoop (C) becomes completely disengaged from metal prongs (D) (see Figure 12c).

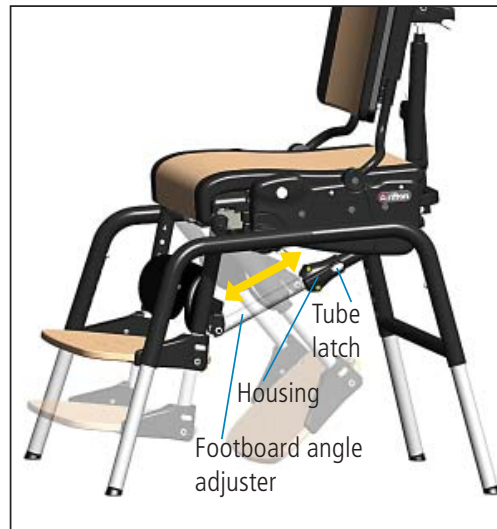


Figure 12a

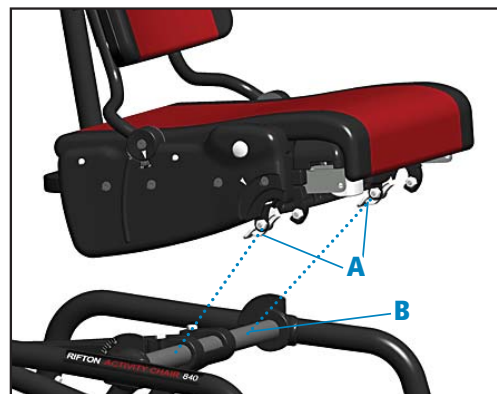


Figure 12b

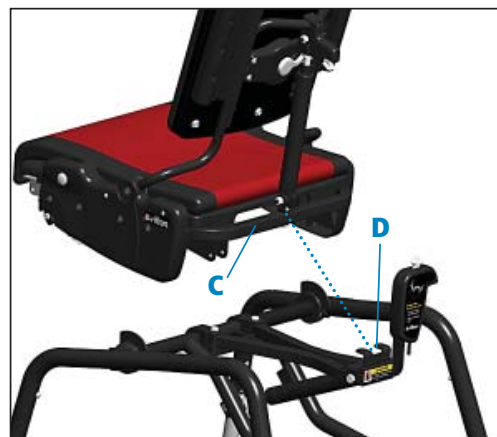


Figure 12c

Seat quick-connect continued. . .

To attach seat and backrest unit to base, slide seat hoop (C) under prongs (D) on base, centering backrest column between prongs. Then lower seat onto frontbar (B), pushing firmly downwards on front edge until it snaps into place (see Figures 12b and 12c).

Reconnect footboard adjustment tubing to its housing by holding housing and tubing in straight line to one another, depressing tube latch, inserting tubing into housing and making sure it clicks into place at desired setting (see Figure 12a).

Note: The process of detaching seat from base and re-attaching it to another base works best when performed with two people, one on either side of chair.

WARNING

Make sure seat is firmly attached, front and back, before use.

Standard base (R840)

Adjustable legs


A set of four long legs, four short legs, four long legs with casters, or four short legs with casters has been selected with purchase of Standard base (R840). Additional sets of legs may be purchased as an accessory.

To connect leg to chair, depress snap button and insert leg into housing. Release snap button and make sure leg clicks into place (see Figure 14a).

To disconnect leg from chair, depress snap button and pull leg out of housing.

Note: When connecting legs with casters, make sure the caster with swivel lock function is inserted into right rear leg of base frame (see Figure 15a).

Note: For more information on caster function, see sections entitled “Caster brakes” and “Swivel lock” under “Hi/Lo base (R850)” heading.

 **CAUTION:** Always ensure that the four legs of a set are used together on one chair. Do not connect legs of varying length and with varying features to the same chair.

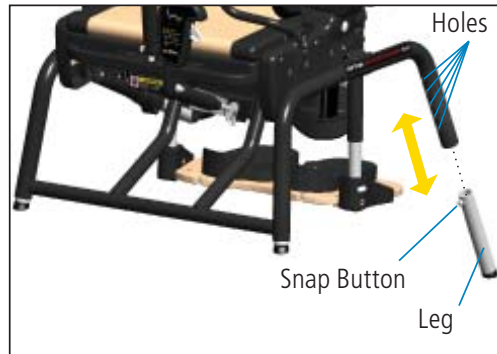


Figure 14a

Seat height

The selection of long or short legs, with or without casters will impact seat height. To adjust seat height, depress snap button on each adjustable leg, push or pull leg to desired setting, release snap button and make sure it clicks into place (see Figure 14a).

Note: To lower seat to desired level, footboard height may need to be adjusted.

WARNING

Adjust all legs to same height for good stability.

Footboard

Footboard is an accessory with Standard base (R840). For information on footboard and its adjustments, see section entitled “Footboard” under “Hi/Lo base (R850)” heading.

Hi/Lo base (R850)

Seat height

To adjust seat height, use foot pedal located at rear of chair. To raise seat, pump downward repeatedly on foot pedal until desired height is achieved (see Figure 15a). To lower seat, lift red safety lock and foot pedal upwards with top of foot until seat descends to desired height.

Note: To lower seat to desired level, footboard height may need to be adjusted.

WARNING

Keep hands and limbs away from moving parts when adjusting chair.

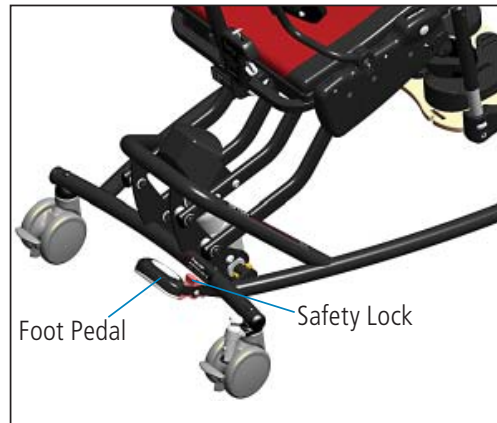


Figure 15a

Caster brakes

Caster brakes should be used for transfers into and out of chair and when chair mobility is not desired.

To apply brake, step down on pedal (A) protruding from caster wheel (see Figure 15b). To release brake, lift pedal upward with top of foot.

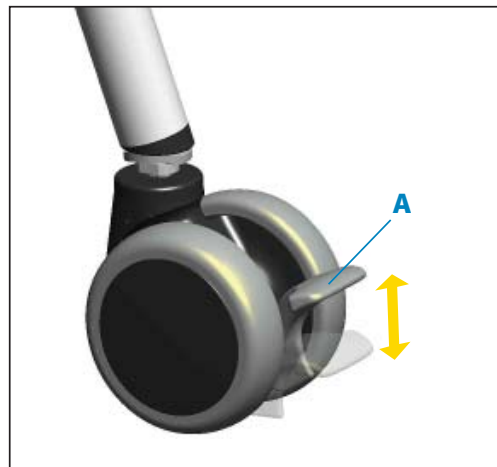


Figure 15b

Swivel lock

Swivel lock can be used to keep chair from drifting sideways when it is being pushed.

To apply swivel lock, position caster directly beneath swivel lock post and push handle down with foot. Swivel lock post should drop into caster groove and stop just above brake pedal (see Figure 15c).

To release swivel lock pull upwards on white knob until snap button clicks into place above metal collar.

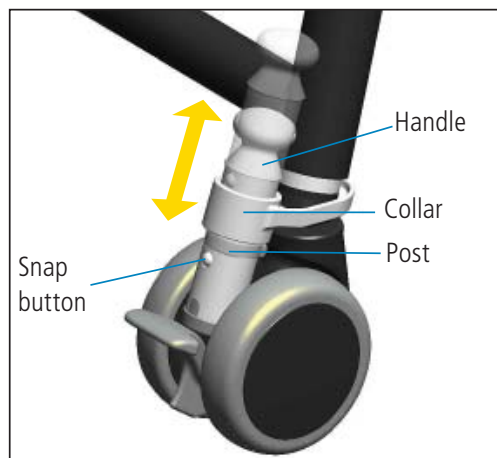


Figure 15c

Footboard

The footboard provides firm support for user's feet, particularly when seat is raised too high for user's feet to touch floor. The footboard also serves as a base for ankle straps, sandals, and wedges. It can support weight of user during transfers, and/or can be swung beneath seat for transfers.

To set angle of footboard to seat, reach beneath seat and depress white tube latch. With other hand push or pull footboard to desired setting, then release latch and make sure it clicks into place (see Figure 16a).

To adjust footboard height, simultaneously depress both white footboard buttons located at either side of footboard. Slide footboard up or down evenly on both sides to desired setting. Make sure footboard clicks into place (see Figure 16b).

WARNING

Be sure push buttons are engaged before stepping on footboard.

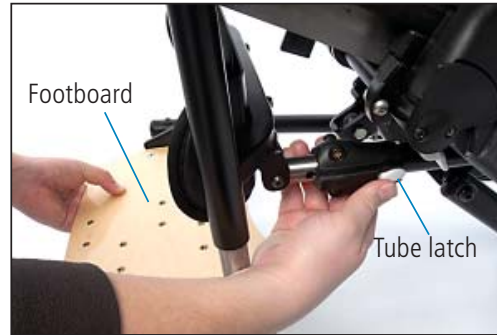


Figure 16a

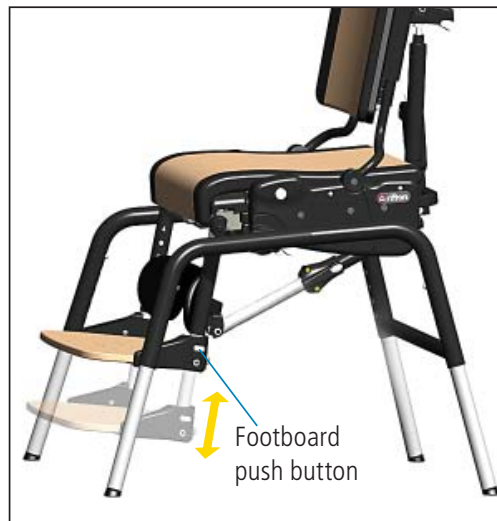


Figure 16b

Accessories

Headrest

A headrest can be purchased with either flat or contoured headpiece.

To install headrest, and adjust headrest height, depress white button (A), insert metal headrest bar and raise or lower it to desired setting. Release button and make sure headrest clicks into place (see Figure 17a).

To adjust depth and angle of headrest, loosen both black knobs (see Figure 17a). Move headrest to desired position and tighten both knobs securely.

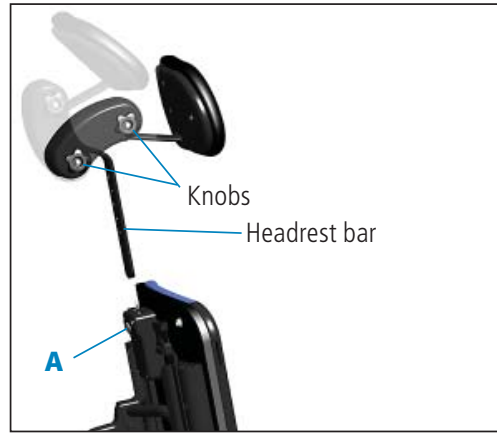


Figure 17a

Lateral supports

Lateral supports provide comfortable side-to-side support for user, and are fully adjustable in height, width, and angle. Lateral supports can be purchased either with or without chest strap attached.

To install and/or adjust lateral support (A), loosen black knob (B) and insert the key (C) into extrusion (D) behind backrest (see Figure 17 b). By sliding lateral support up and down extrusion, sliding bracket (E) along its slot, and by rotating the bracket around the knob, adjust height, angle, and width of lateral to fit client. When desired adjustment is reached, tighten knob firmly (see Figure 17c).



Figure 17b (Chair top view)

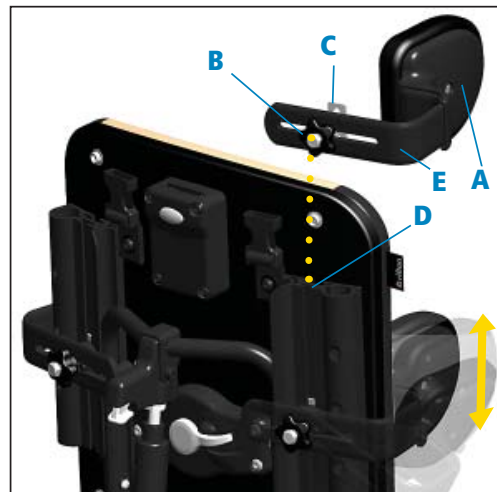


Figure 17c

Chest strap

A chest strap can provide anterior support. Two types of chest straps can be purchased: one for use with lateral supports, the other for use on its own.

Note: The stand-alone chest strap may be used with lateral supports, but will not be in line with lateral supports as the compatible chest strap is.

To install chest strap for use with lateral supports, thread loop at either end of chest strap over the knob and key assembly of lateral supports (see Figure 18a), making sure buckle will face outwards when chest strap is used.

Loops can be threaded either with chest strap encompassing lateral supports, or with straps on the inside of lateral supports (see Figure 18a).

To install stand-alone chest strap, which is wider than chest strap for use with lateral supports (see Figure 18b), loosen black knobs at both ends of strap and insert the keys into the extrusions behind backrest. Slide knobs up and down until desired height is achieved, then tighten knobs firmly (see Figure 18c).

To adjust stand-alone chest strap height, loosen black knobs at both ends of strap, slide knobs up and down until desired height is achieved, then tighten firmly.

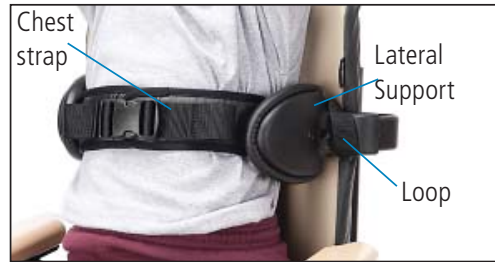


Figure 18a



Figure 18b

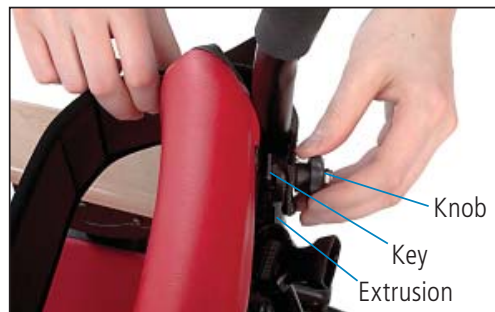


Figure 18c

⚠ WARNING

ALWAYS use a seatbelt or pelvic harness. Absence of a seatbelt or pelvic harness may result in falls and may pose a strangulation hazard to user when a chest strap, butterfly harness or tray is in use.

A loose, over-tightened, or incorrectly positioned chest strap may pose a strangulation hazard to user.

Butterfly harness

The butterfly harness provides anterior support while allowing maximum freedom of movement.

To install butterfly harness insert L-shaped metal clips (A) at the ends of lower harness straps into slots (B) at either side of seat. Press clip firmly into slot with back of L-shape towards front of seat, making sure it clicks into place and holds when pulled. Then clip top buckles (D) together behind top of backrest (see Figure 19a).

Note: The butterfly harness can be clipped into either set of small slots at sides of chair. Use other set of small slots for seatbelt or pelvic harness.

To remove butterfly harness, use pen to depress small white button (C) and pull harness upwards to disengage clip. Repeat on other side of seat (see Figure 19a).

To use butterfly harness, unclip all four buckles (D) to completely free harness pad (see Figures 19a and 19b). Transfer user into chair, then place harness pad on user's chest. Secure all four buckles and adjust straps as necessary.



Figure 19a



Figure 19b

⚠ WARNING

ALWAYS use a seatbelt or pelvic harness. Absence of a seatbelt or pelvic harness may result in falls and may pose a strangulation hazard to user when a chest strap, butterfly harness or tray is in use.

ALWAYS check fit of butterfly harness, especially after adjusting chair. Loose straps, over-tightened straps, or wrongly positioned harness pads may pose a strangulation hazard to user (see below).

Absence of lateral supports may cause top of butterfly harness to exert enough pressure on one side of user's neck to pose a strangulation hazard.

Thigh belt

A thigh belt can provide additional support and security for user's thighs, and helps adduct user's knees.

To install thigh belt, unsnap and lift up front of seat pad. Hold metal slide over recessed side of H-slot with belt extending over closest edge and plastic buckle downwards (see Figure 20a). With other hand, pinch sides of belt together about 1.5" away from metal slide. Shove pinched belt section through cross bar of H-slot and push more through until belt is flat--then pull up. Metal slide should be on top with belt looping below seat. Repeat with other end of belt. Replace seat pad.

To remove thigh belt, first remove seat pad. Grasp thigh belt strap directly above slot from which it protrudes, and pinch strap edges into cross-bar of H-slot. Then push downwards on strap to loosen metal slide from recess in which it is seated. Grasp metal slide with other hand and pull strap free. Repeat on other side, then replace seat pad.

To adjust thigh belt pull adjuster straps threaded through either side of center buckle (see Figure 20b).

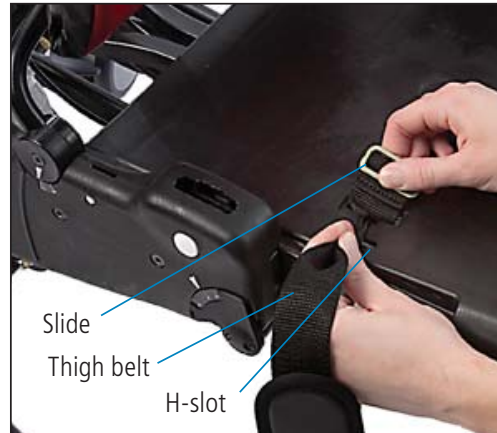


Figure 20a



Figure 20b

⚠ WARNING

If using thigh belt along with a chest strap, butterfly harness or tray, a seatbelt is also required:

ALWAYS use a seatbelt or pelvic harness. Absence of a seatbelt or pelvic harness may result in falls and may pose a strangulation hazard to user when a chest strap, butterfly harness or tray is in use.

Pelvic harness

Pelvic harness may be used in place of seatbelt as the primary means of securing user in chair. This alternative to the more typical seatbelt gives a very stable base for developing sitting postural control. Pelvic harness firmly positions user's pelvis by securing hips and upper thighs, without placing pressure on the abdomen.

To install pelvic harness place it on seat with wide ends towards back of seat and strap attachment points down. Insert L-shaped metal clips, attached by short straps to back corners of harness, into slots at either side of seat. Press clip firmly into slot with back of L-shape towards front of seat, making sure it clicks into place and holds when pulled (see Figure 21a).

To remove pelvic harness, use pen to depress small white button just below clip slot on side of seat, and pull harness upwards to disengage clip. Repeat on other side of seat.

To use pelvic harness, lay it flat on top of seat before transferring user into chair (see Figure 21a). Transfer user, then pull narrow ends of pelvic harness around user's upper thighs and fasten buckles (see Figure 21b). Finally, adjust straps to fit user.

Note: Pelvic harness can be clipped into either set of small slots at sides of chair. Be sure to consider seat depth required for user and assess that slot selected for attachment will allow appropriate use of pelvic harness.



Figure 21a

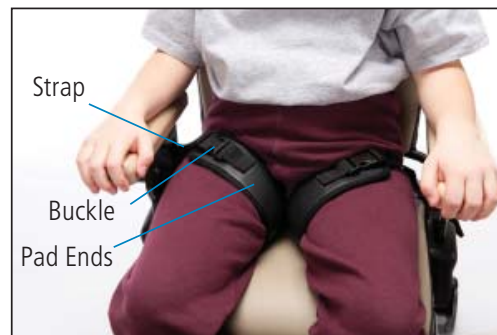


Figure 21b

⚠ WARNING

ALWAYS use a seatbelt or pelvic harness. Absence of a seatbelt or pelvic harness may result in falls and may pose a strangulation hazard to user when a chest strap, butterfly harness or tray is in use.

Hip guides

Hip guides provide additional lateral support to user's hips, and can be independently adjusted for best fit.

Hip guides are clipped to arm supports and can therefore be easily removed along with arm supports for transfers. Hip guides can be used with both armrests and forearm prompts.

To install hip guides, remove arm supports from chair. Find icon of wooden armrest next to slot on hip guide plastic housing. Match armrest position to icon on hip guide and slide hip guide onto armrest post. White button on hip guide should be toward back of chair. When hip guides are threaded onto arm support posts, feed arm supports back into slots at sides of chair (see Figure 22a).

To adjust width between left and right hip guides, depress white button and move hip guide pad in and out, making sure it clicks into place when desired setting is reached.



Figure 22a

Abductor

Abductor can be used to keep user's knees comfortably apart.

Before installing abductor remove leg prompts, if present.

To install abductor, insert abductor post into slot centered directly beneath front of seat. Reach below slot and depress white abductor button, in order to insert abductor post fully into slot (see Figure 23a).

To adjust depth of abductor to seat, depress white abductor button and pull abductor forward and back then release button when desired setting is achieved, making sure abductor clicks into place.



Figure 23a

Adductors

Adductors can be used to limit lateral movement of user's knees and provide a comfortable lateral boundary.

To install adductors, depress adductor button and insert metal posts into slots located on sides of seat at its front corners, so that adductor pads are towards seat. Release button and make sure adductors snap into place.

To remove adductors, find the two white adductor buttons located below front corners of seat. Depress these buttons and pull adductors out of their slots (see Figure 23b).



Figure 23b

Leg prompts

Leg prompts can be used in place of abductor, and provide both abduction and adduction.

Before installing leg prompts, remove abductor, if present.

To install leg prompts, insert leg prompt post (A) into slot (B) centered directly beneath front of seat. Reach below slot and depress leg prompt button (C), in order to insert leg prompt post fully into slot (see Figure 24a).

To adjust depth of leg prompts to seat, depress leg prompt button (C). Pull leg prompts forward and back then release button when desired setting is achieved, making sure leg prompts click into place.

To adjust width of leg prompts depress white width buttons (D) located on plastic housing behind leg prompt straps. Move leg prompts closer or farther apart then release buttons when desired setting is achieved, making sure prompts click into place (see Figure 24a).

Secure user's legs in place with leg prompt straps (see Figure 24b).

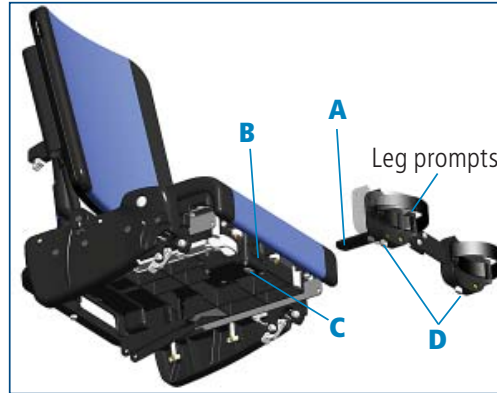


Figure 24a



Figure 24b

Ankle straps

Ankle straps can be used on footboard to secure user's feet while providing a bounded range of movement (see Figure 25a).

To install ankle strap, place black plastic clip at end of strap beneath T-slot at rear of footrest and pull strap firmly upwards through the slot to secure clip in T-slot (see Figure 25b).

Adjust straps to fit user's needs.

Note: Sandals cannot be used together with ankle straps.



Figure 25a



Figure 25b

Sandals and Wedges

Sandals can be used with footboard to provide positive positioning of user's feet. Adding wedges beneath sandals allows for a custom fit of sandal height and tilt.

Sandal bases come in a left and right pair.

To install, place sandal base on footboard and position it above one of the pairs of screw threads embedded in footboard. Use black knobs provided to secure sandal base to footboard. Begin by tightening knobs only halfway, slide sandal base back and forth until desired position is reached, then tighten knobs firmly (see Figure 26a).

Latch sandals onto sandal bases using white levers (see Figure 26b)

To install wedge, pull back white lever at side of sandal to free sandal from sandal base. Place wedge on sandal base and push bottom lever back towards side of sandal base. This locks wedge onto base. Repeat if more wedges are added. Finally, place sandal on top of stack and lock it into place by pushing corresponding white lever (see Figures 26b and 26c). Make sure sandals and wedges are firmly locked together before use.

Wedges may be used either way around and stacked.

Secure user's feet using sandal straps.

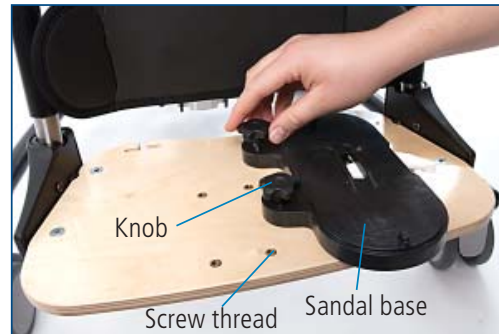


Figure 26a

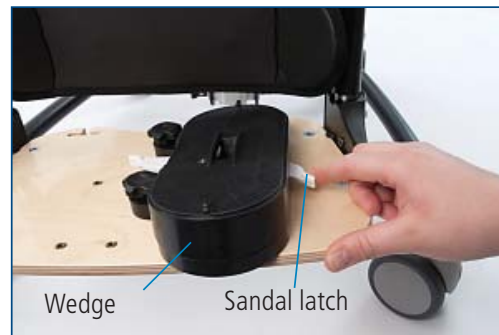


Figure 26b



Figure 26c

Lumbar and seat support kit

The lumbar and seat support kit can be used to custom-cut and fit extra postural support.

The lumbar support is secured behind backrest pad for additional low back support, and the seat support is secured beneath seat pad to help prevent user from sliding forward on seat (see Figure 27a).

To install custom lumbar and seat support, remove seat and backrest pads, then use installation instructions provided with lumbar and seat support kit. Support padding may be cut or trimmed if necessary and affixed to seat with velcro strips. Replace seat and backrest pads when finished.



Figure 27a

Backrest filler pad

Backrest filler pad can provide additional lower back support when chair backrest is adjusted high enough to result in an open space between backrest and seat (see Figure 27b).

To install backrest filler pad, snap it into place on snap stud centered at bottom edge of rear of backrest (see Figure 27c).



Figure 27b

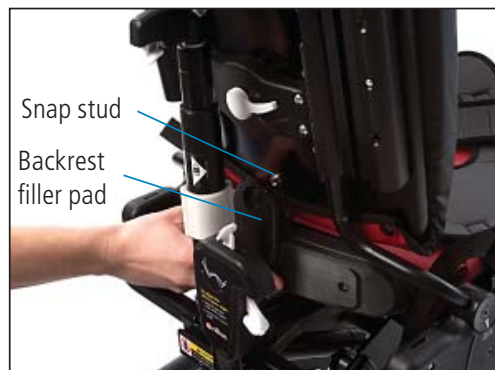


Figure 27c

Push handles

Push handles provide an easy ergonomic way for a caregiver to maneuver chair and transport user.

There is a left and right push handle.

To install push handle, depress snap button at bottom of handle and insert it into one of the extrusions at rear of backrest. Since there is a left and right push handle, each handle will only fit into one side of chair (see Figure 28a).

To adjust push handle height, depress snap button (you may have to temporarily move other prompts out of the way) and move handle up and down until desired height is reached. Release button, making sure handle clicks into place.

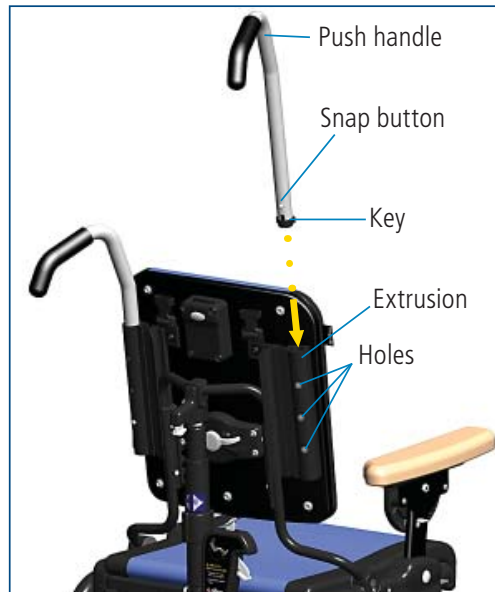


Figure 28a

Tray

Tray provides a firm surface for seated activities such as eating and art, and adjusts in height, angle and depth. A softly-rounded rim contains spills. Tray only attaches to wooden armrests, not forearm prompts.

To install tray, first set both wooden armrests to same height and angle. Pull black handle and slide tray onto armrests (see Figure 29a).

To adjust tray depth, pull black handle and slide tray forward and back. When desired setting is reached, release handle and make sure tray clicks into place.

Adjust tray height and angle by adjusting armrest height and angle with tray attached (see armrest section on page 8).



Figure 29a

⚠ WARNING

Tray is not intended to hold user in chair.

ALWAYS use a seatbelt or pelvic harness. Absence of a seatbelt or pelvic harness may result in falls and may pose a strangulation hazard to user when a chest strap, butterfly harness or tray is in use.

Handhold

Handhold can be attached anywhere along rim of tray to provide additional support and security.

To install and adjust handhold, loosen large oval knob on handhold, slide it along tray until desired position is reached, then tighten knob securely (see Figure 29b).



Figure 29b

Maintenance 🧰

Periodically inspect for cracks, breaks, loose parts, missing parts, and/or malfunctions. Remove the product from service when any condition develops that might make operation unsafe.

Cleaning 🧑 🏠 🧰

Many of the components of the Rifton Chair can be removed for cleaning. Clean chair by wiping with a damp cloth using soap and water or a mild disinfectant solution. Rinse with a damp cloth and water. Do not use excessive amounts of water.

The upholstery should be cleaned in the same manner with a damp cloth and mild disinfectant. You may also use a commercial cleaning agent suitable for imitation leather.

The straps with hook and loop closures may be laundered. Engage the closures before washing. Do not iron.

Materials 🧰

- Steel hardware items (nuts, bolts, screws, etc) are typically zinc or nickel plated, or stainless steel.
- Upholstery items (pads, support blocks, padded prompts, etc) are typically fire-retardant polyurethane foam with a fire-retardant cover made from expanded polyurethane.
- Frames are typically steel or aluminum tubing, welded together, and coated with a baked-on paint finish. Some frame components may also be stainless steel.
- Tires are tubeless, filled with polyurethane foam, and do not require inflation.
- Straps are typically made of polypropylene or nylon webbing.
- Wooden components are typically birch plywood, solid maple, or laminated hardwood veneers, finished with a clear polyurethane lacquer.
- Tabletops are typically high-pressure laminate (Formica).
- Plastic components are typically injection molded from a variety of industrial resins.

All materials are latex, lead and phthalates free.

User modifications 🧑 🏠 🧰

We recognize that some clients may benefit from modifications made in the field. However, we cannot be responsible for customer modifications to our products without our supervision, testing, and evaluation.